

## Technical data UC Series

### General

The dishwashing machines of the UC Series are available in 4 sizes (-S, -M, -L, -XL) - see dimensions.

Each dishwashing machine can be programmed in any size with special settings (ex factory or at the first start-up at the customer's site).

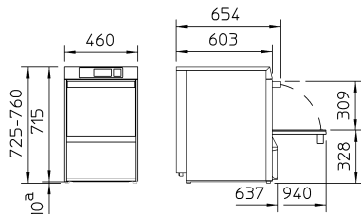
The settings determine the type of the dishwashing machine:

- glass washing machine (with the versions Cool and effect)
- dishwashing machine (with the version effect)
- bistro dishwashing machine
- cutlery dishwashing machine

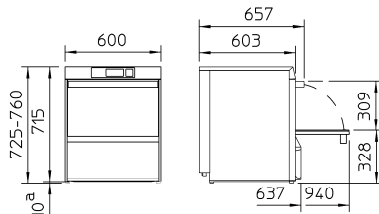
Optionally, each dishwashing machine is available with integrated exhaust air heat recovery (design Energy).

### Dimensions

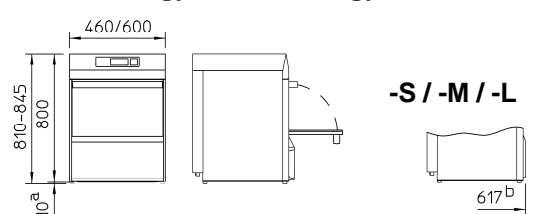
#### UC-S



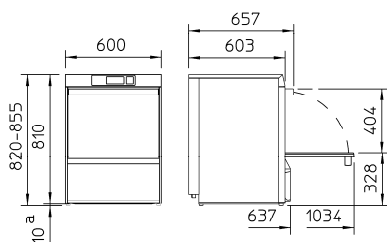
#### UC-M



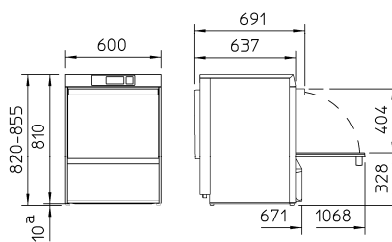
#### UC-S Energy / UC-M Energy



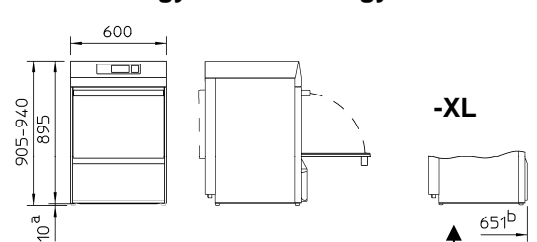
#### UC-L



#### UC-XL



#### UC-L Energy / UC-XL Energy

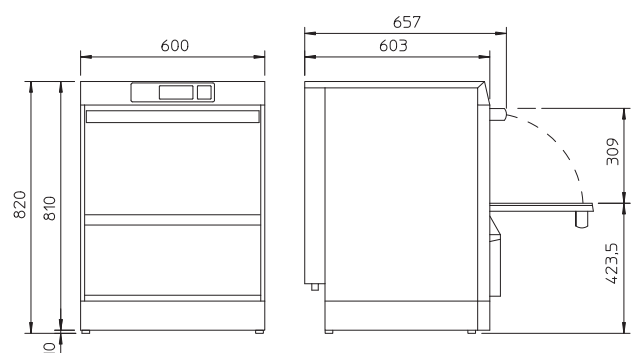
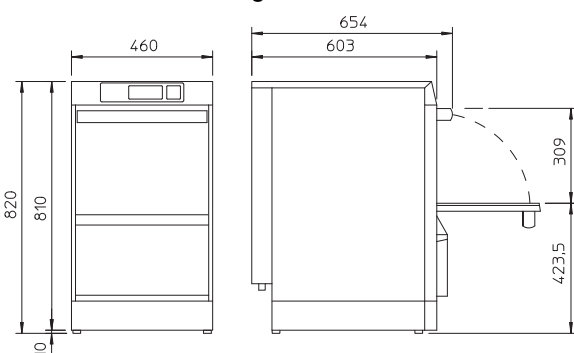


<sup>a</sup> By removing the feet the machine height is reduced by 10 mm.

<sup>b</sup> Without included containers for detergent and rinse aid, the depth in all machines is reduced by 20 mm.

### UC Excellence-i / UC Excellence-iPlus

Machines with an integrated reverse osmosis module



UC-S Excellence-i  
UC-S Excellence-iPlus

UC-M Excellence-i  
UC-M Excellence-iPlus

## Dimensions

	UC-S UC-S Energy UC-S Excellence	UC-M UC-M Energy UC-M Excellence	UC-L UC-L Energy	UC-XL UC-XL Energy
Rack dimension	400 x 400	500 x 500	500 x 500	500 x 500 500 x 540
Weight Standard (net / gross)	59 / 68 kg	64 / 74 kg	69 / 79 kg	69 / 79 kg
Weight Energy (net / gross)	64 / 73 kg	70 / 80 kg	75 / 85 kg	75 / 85 kg
Weight Excellence (net / gross)	79 / 88 kg	85 / 95 kg		
Package Standard (W x D x H)	550x740x920	685x720x925	685x720x1020	685x720x1020
Package Energy (W x D x H)	550x740x1005	685x720x1010	685x720x1105	685x720x1105
Package Excellence (W x D x H)	550x740x1005	685x720x1010		

Dimensions in mm

## General data

Number of programmes	3 (+ special programmes)
Tank capacity (size S / sizes M, L, XL)	9.5 l / 15.3 l
Circulating pump	150 - 200 l/min (depending on the selected programme)
Noise emission according to DIN EN ISO	max. 57 dB(A) (depending on the selected programme)
Splash guard	IP X3 (with rear panel of plastic) IP X5 (with rear panel of stainless steel)

## Data depending on the type of the dishwashing machine

	Glass	Dishes	Bistro	Cutlery	effect Glass	effect Dishes	Cool <sup>1</sup>
Water consumpt. for final rinse (litre/rack) <sup>2, 3</sup>	x	2,4	2,4	3,4	x	2,4	3,4
Final rinse temperature (°C) <sup>3</sup>	65	85	y	85	50 / 65 <sup>4</sup>	60 / 85 <sup>4</sup>	z / 65 <sup>4</sup>
Final rinse temperature (°C) <sup>3</sup> -Energy	65	65	65	65	---	---	---
Tank temperature (°C) <sup>3</sup>	62	62	62	66	45	55	55
Maximum water intake temperature (°C)	60	60	60	60	50	60	z
Theoretic output <sup>5</sup> (racks / h)							
P1/P2/P3	22/32/48	40/28/24	40/32/28	11			
short washing cycle	77	66	66	21			

x = programme 1: 3.0 litre / rack; remaining programmes: 2.4 litre / rack

y = programme 1: 65 °C; programme 2: 65 °C; programme 3: 85 °C

z = cold water

P1/P2/P3 = standard programmes (at the touch screen from left to right)

<sup>1</sup> Cool only possible in glass washing machines

<sup>2</sup> in perfect conditions. The water consumption for the final rinse depends on the local conditions. The vernier adjustment is carried out at the first start-up

<sup>3</sup> factory setting

<sup>4</sup> reversible

<sup>5</sup> depending on the local conditions (water intake temperature / electrical supply) the indicated data can decrease

## Electrical data

### Standard

Voltage	Protection	Tank heating	Total connection load	Boiler heating	Circulating pump (P1)
380 V – 415 V / 3N~	16 A	2.0 kW	7.9 kW	5.3 kW	600 W
380 V – 415 V / 3N~	10 A	2.0 kW	6.0 kW	5.4 kW	600 W
220 V – 240 V / 1N~	16 A	2.0 kW	3.2 kW	2.6 kW	600 W
220 V – 240 V / 1N~	20 A	2.0 kW	4.2 kW	3.6 kW	600 W
220 V – 240 V / 1N~	13 A	2.0 kW	2.6 kW	1.8 kW	600 W
220 V – 230 V / 1N~	10 A	1.8 kW	1.8 kW	1.2 kW	600 W
380 V – 415 V / 3N~ * <sup>1</sup>	20 A	2.0 kW	9.7 kW	7.1 kW	600 W
380 V – 415 V / 3N~ * <sup>1</sup>	15 A	2.0 kW	7.7 kW	7.1 kW	600 W
220 V – 240 V / 1N~ * <sup>1</sup>	20 A	2.0 kW	4.1 kW	3.5 kW	600 W
220 V – 240 V / 1N~ * <sup>1</sup>	15 A	2.0 kW	2.9 kW	2.3 kW	600 W
200 V / 3~	25 A	1.4 kW	6.9 kW	4.9 kW	600 W
200 V / 2~	20 A	1.4 kW	3.3 kW	2.7 kW	600 W
230 V / 3~	25 A	1.8 kW	7.3 kW	4.9 kW	600 W
230 V / 2~	16 A	1.8 kW	3.0 kW	2.4 kW	600 W

\*<sup>1</sup> Australia

### Cool

Voltage	Protection	Tank heating	Total connection load	Boiler heating	Circulating pump (P1)
380 V – 415 V / 3N~	16 A	5.4 kW	6.1 kW	5.4 kW	600 W
220 V – 240 V / 1N~	16 A	2.8 kW	3.4 kW	2.6 kW	600 W
220 V – 240 V / 1N~	20 A	2.8 kW	4.2 kW	3.6 kW	600 W

### UC Excellence-i(Plus)

Voltage	Protection	Tank heating	Total connection load	Boiler heating	Circulating pump (P1)	Reverse osmosis module
380 V – 415 V / 3N~	16 A	2.0 kW	8.1 kW	5.3 kW	600 W	200 W
380 V – 415 V / 3N~	10 A	2.0 kW	6.2 kW	5.4 kW	600 W	200 W
220 V – 240 V / 1N~	16 A	2.0 kW	3.4 kW	2.6 kW	600 W	200 W
220 V – 240 V / 1N~	20 A	2.0 kW	4.4 kW	3.6 kW	600 W	200 W
220 V – 240 V / 1N~	13 A	2.0 kW	2.8 kW	1.8 kW	600 W	200 W
220 V – 230 V / 1N~	10 A	1.8 kW	2.0 kW	1.2 kW	600 W	200 W
380 V – 415 V / 3N~ * <sup>1</sup>	20 A	2.0 kW	9.9 kW	7.1 kW	600 W	200 W
380 V – 415 V / 3N~ * <sup>1</sup>	15 A	2.0 kW	7.9 kW	7.1 kW	600 W	200 W
220 V – 240 V / 1N~ * <sup>1</sup>	20 A	2.0 kW	4.3 kW	3.5 kW	600 W	200 W
220 V – 240 V / 1N~ * <sup>1</sup>	15 A	2.0 kW	3.1 kW	2.3 kW	600 W	200 W
200 V / 3~ * <sup>2</sup>	25 A	1.4 kW	7.1 kW	4.9 kW	600 W	200 W
200 V / 2~ * <sup>2</sup>	20 A	1.4 kW	3.5 kW	2.7 kW	600 W	200 W
230 V / 3~	25 A	1.8 kW	7.5 kW	4.9 kW	600 W	200 W
230 V / 2~	16 A	1.8 kW	3.2 kW	2.4 kW	600 W	200 W

\*<sup>1</sup> Australia

\*<sup>2</sup> only UC Excellence-i