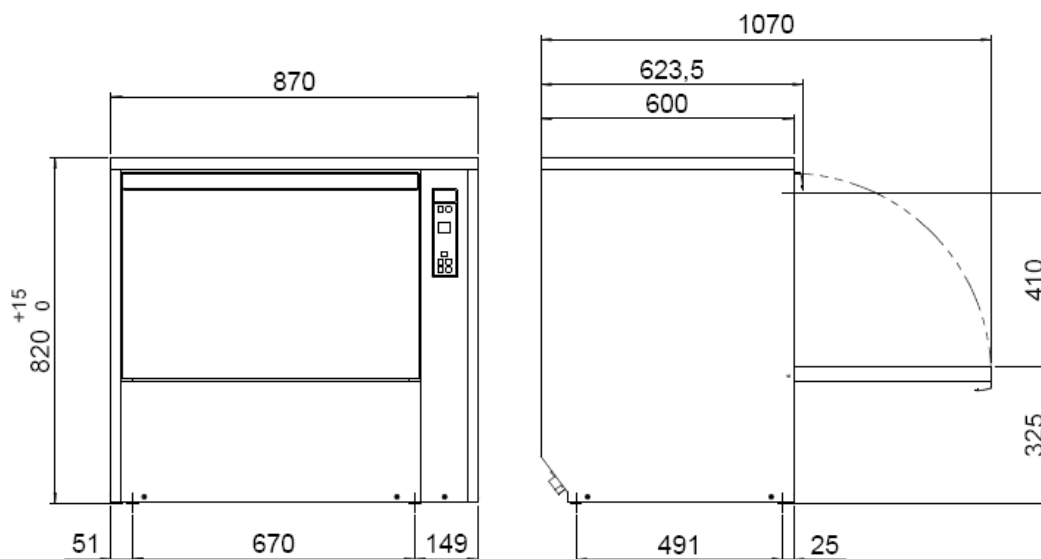


GS 630 technical specifications

Dimensions



The machine height decreases by 4 mm when the feet are turned in

Utensil rack	outside	650 x 508 x 64 mm
	inside	630 x 465 mm
Rack positioned on utensil rack	outside	500 x 500
	without rack	410 mm
Clear input height	with utensil rack	400 mm
	without rack	410 mm
Clear input width		650 mm
Maximum plate size		400 x 600 mm
Weight (net / gross)		105 / 120 kg
Package (W x D x H)		950 x 720 x 1000



Utensil rack

General data

Number of programmes	3
Theoretical capacity ¹	12 / 29 / 38 racks / h
Circulating pump	2 x 150 l/min
Noise emission according to DIN EN ISO 3746	<70 dB(A)
Splash guard	IPX5
Rinse water consumption ²	4.4 litre / rack
Cold water pre-wash (optional) in case of 3 bar flow pressure (2nd water connection with cold water necessary)	1.8 litre / rack
Rinse temperature	85°C
Rinse temperature can be switched (optional)	85°C / 65°C
Tank temperature	60°C
Tank capacity	25 l
Maximum water inlet temperature	60°C

¹ Local conditions (water inlet temperature / electrical connection) may reduce the values stated here

² Under ideal conditions. Fine-tuning during commissioning

Connection values

Voltage		Fuse	Tank heating	Boiler heating	Pumps + Control unit	Total connected load
380 – 415 V	3 N~	16 A	5.3 kW	5.3 kW	1.8 kW	7.1 kW
230 V	3 ~	20 A	4.9 kW	4.9 kW	1.7 kW	6.6 kW
380 – 415 V Australia	3 N~	16 A	6.5 kW	6.5 kW	1.8 kW	8.7 kW
200 V	3 ~	25 A	4.9 kW	4.9 kW	1.7 kW	6.6 kW

For information on the connection points (electrical / water / waste water) and site requirements, see the connection diagram / installation plan