



UF200S Upright Freezer

Product features:

- Electronic thermostat
- Stainless steel cabinet
- Reversible door
- 2 fixed freezing shelves
- Adjustable feet



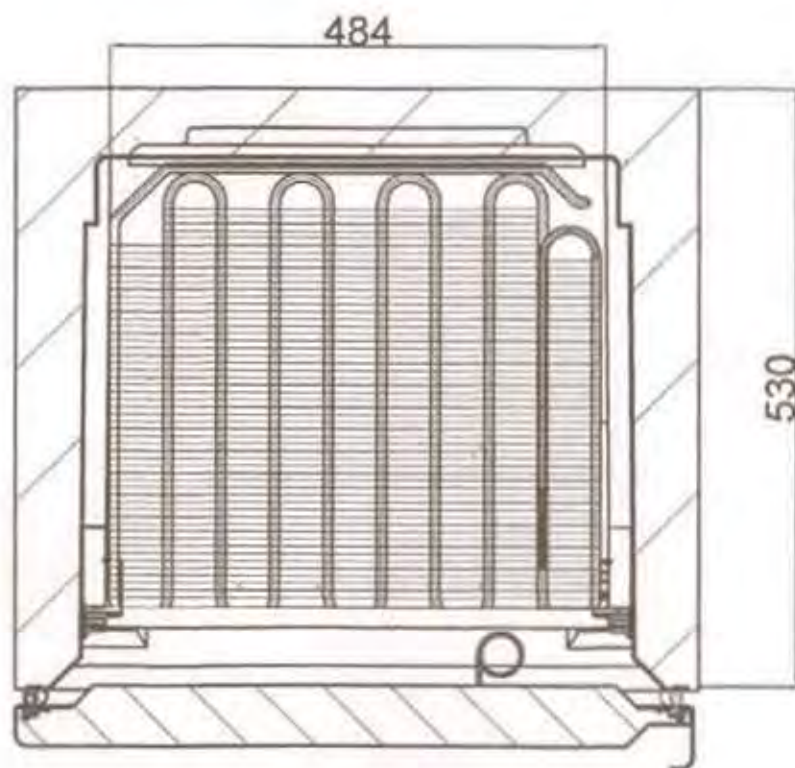
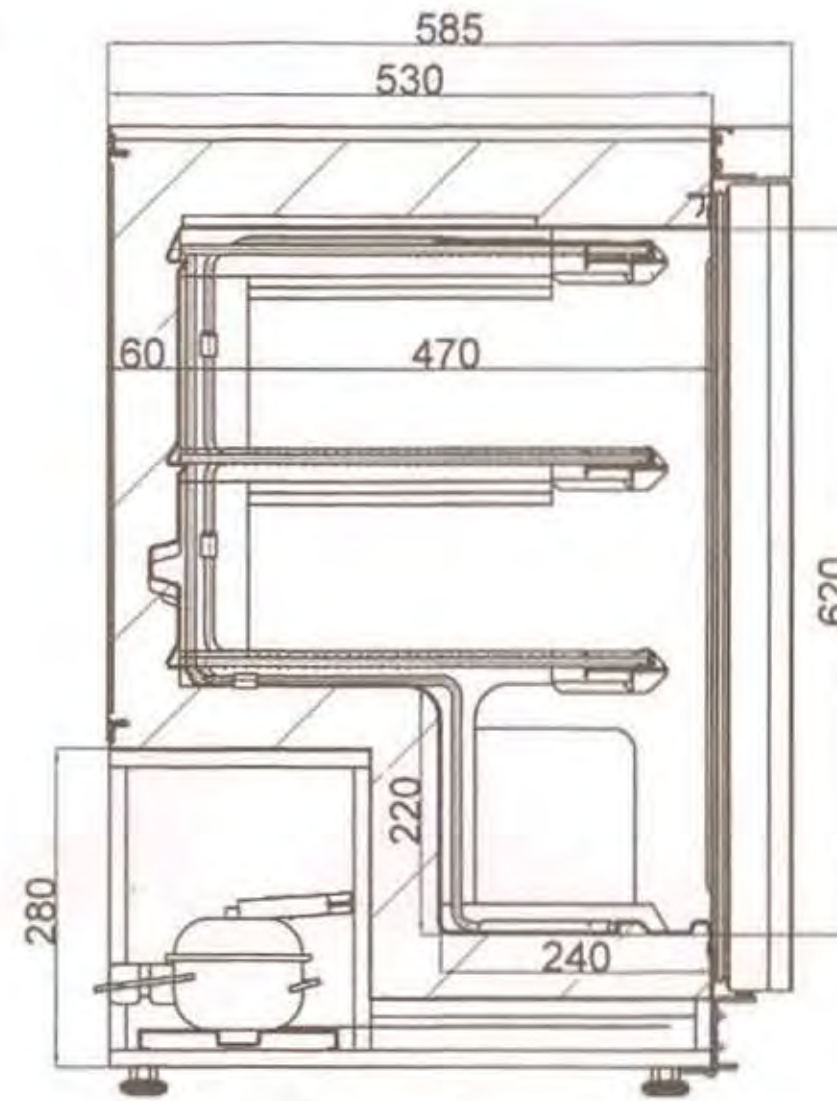
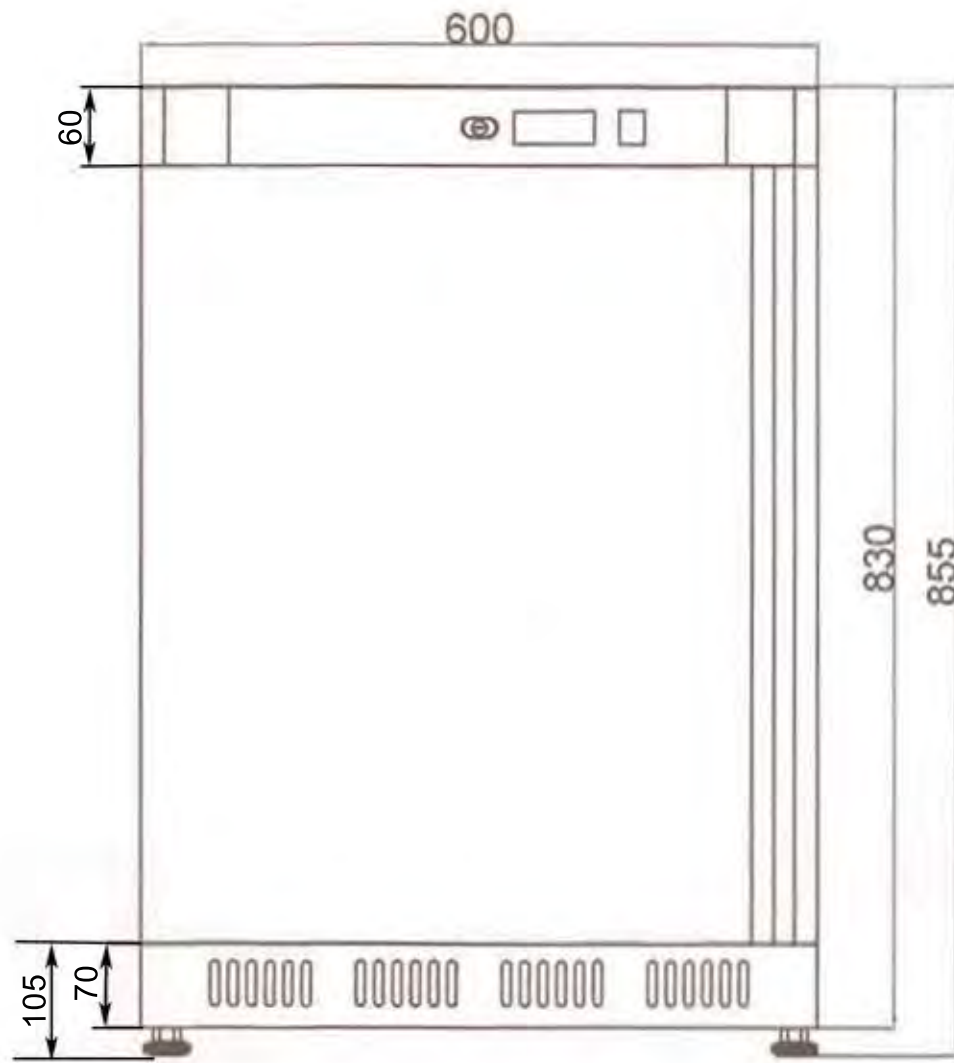
Lock



Wheels or adjustable legs
as option

Technical data

Climate Class	4
Temperature Range, °C	-10 to -24
Gross Volume, l.	200
Net. Volume, l.	120
External Dimensions, WxDxH	600x600x850
Internal Dimensions, WxDxH	484x470x620
Packing Dimensions, WxDxH	690x650x910
40'ft Container load, pcs.	108
Door	1 hinged solid
Shelves	2 fixed freezing
Exterior	SS430
Interior	ABS
Castors/Feet	4 adjustable feet
Lock	Yes
Voltage/Frequency, V/Hz.	220-240/50
Rated Input Power, W.	150
Energy Consumption. kWh/24h.	1.2
Gross Weight, kg.	52
Net. Weight, kg.	47
Noise Level, db(A)	40
Type of Cooling	Static
Type of Defrost	Manual
Type of Control	Electronic
Thermometer	Yes
Refrigerant	R134a
Charge, g.	75
Internal Light	No



TEFCOLD Cool Products Worldwide	Date: 170720
Model: UF200	Rev.: 02
Dimensions	Rev. by: rfj
Drawing no.:	