



## PT1300 Pizza Table

### Product features:

- Stainless steel 304
- Guides for 7 pizza trays each door
- VK38-200 Topping unit for GN1/3 pans
- Granite table top
- Ventilated cooling
- Automatic defrost
- 3 self-closing doors
- Adjustable legs



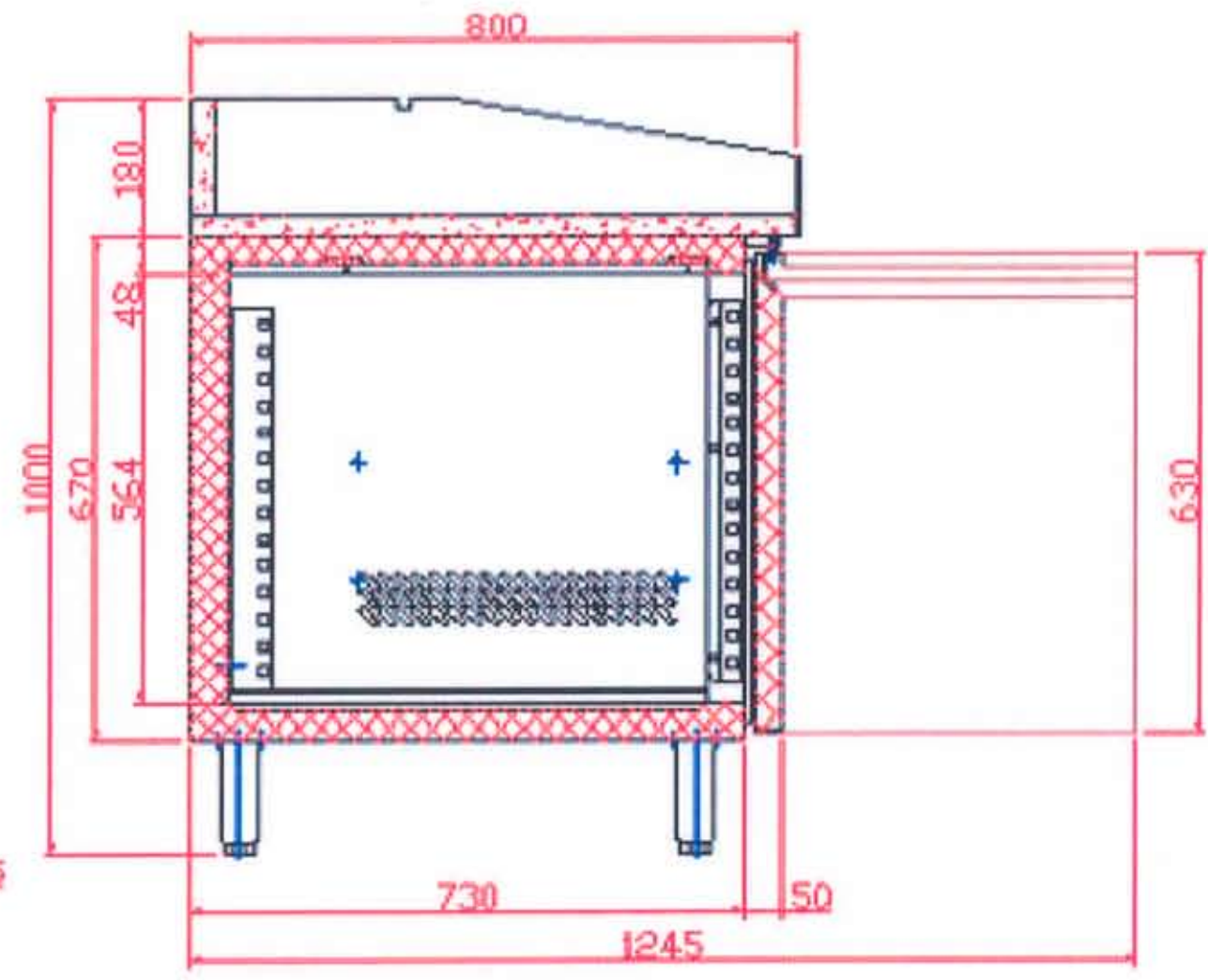
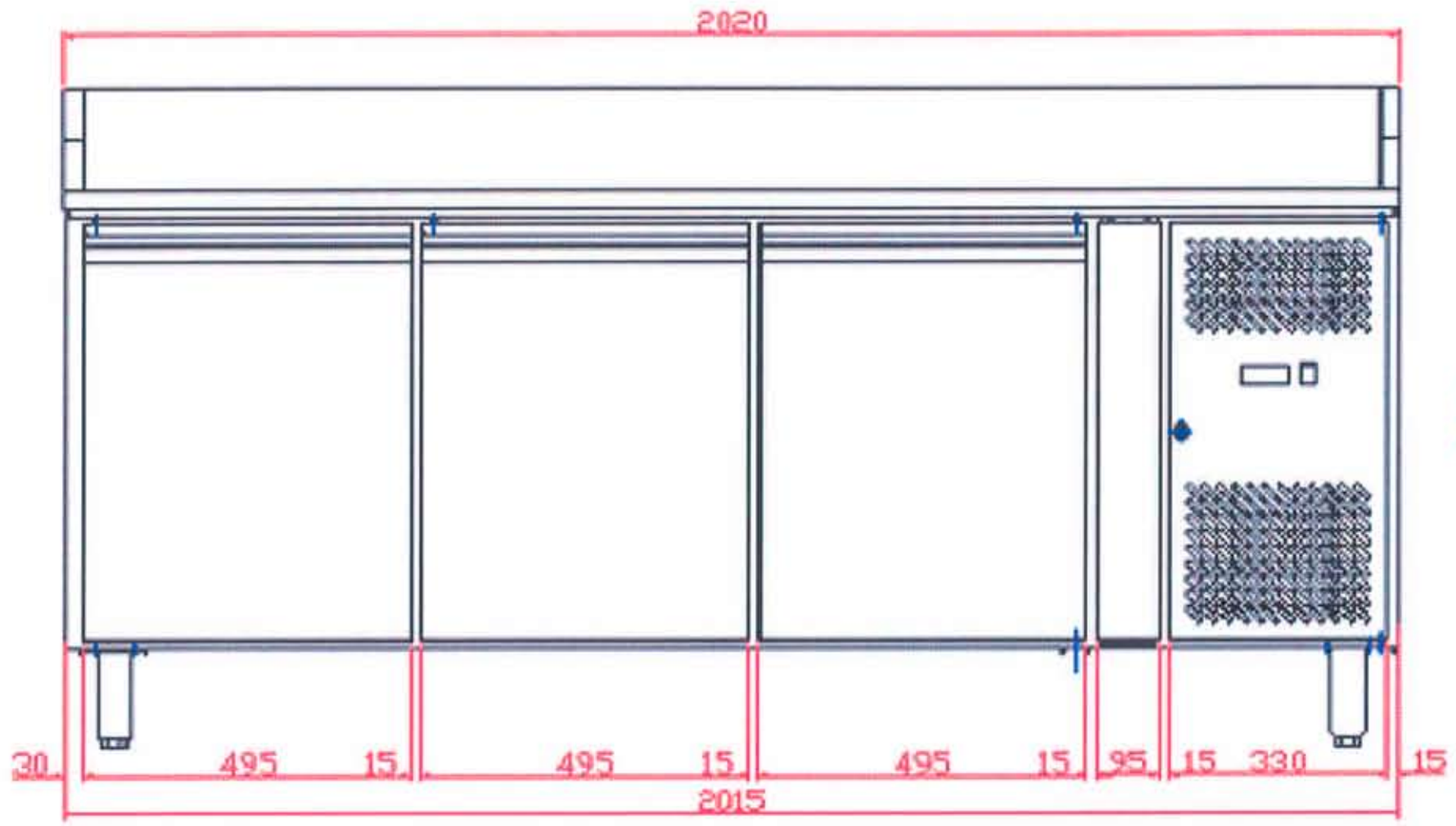
Granite table top



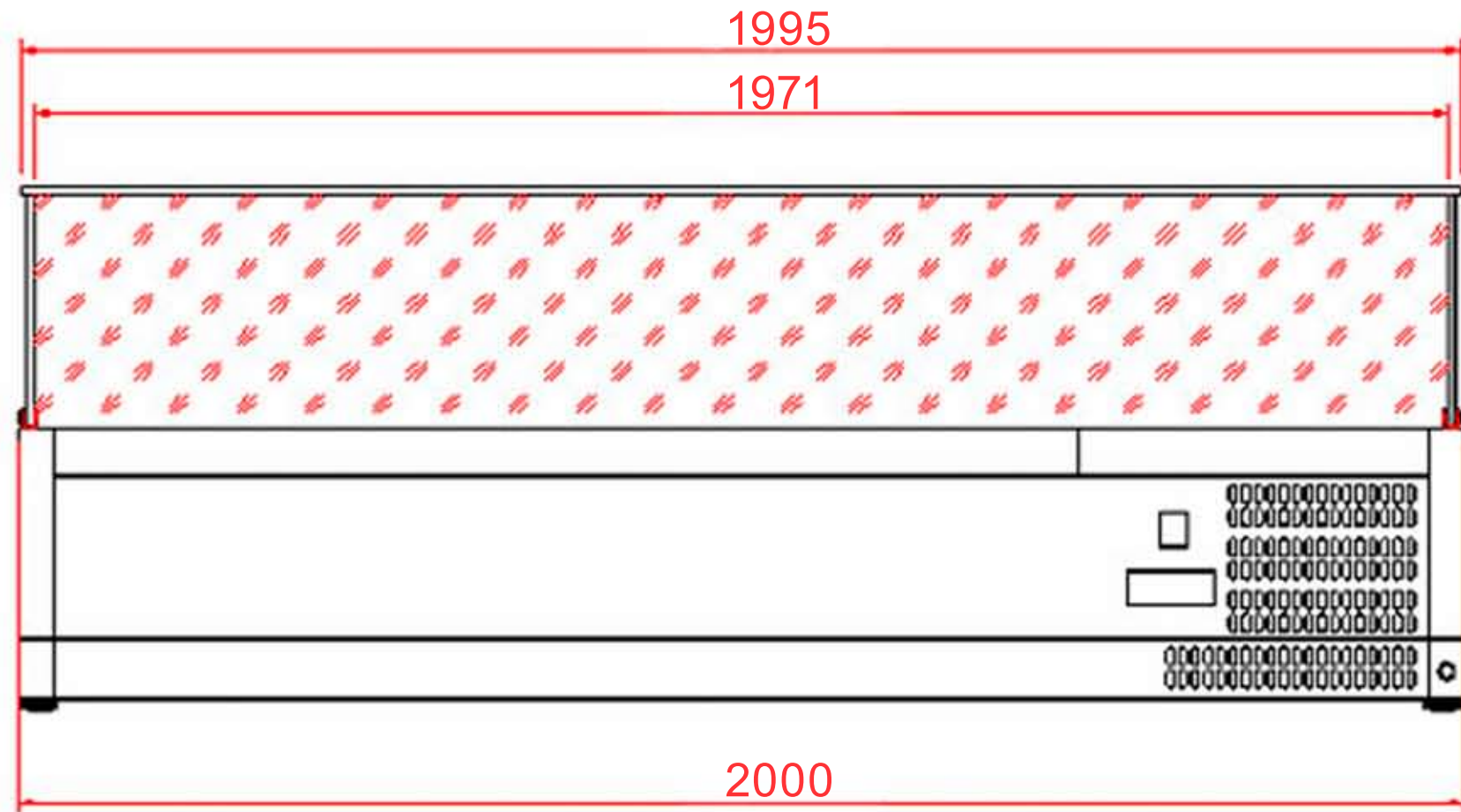
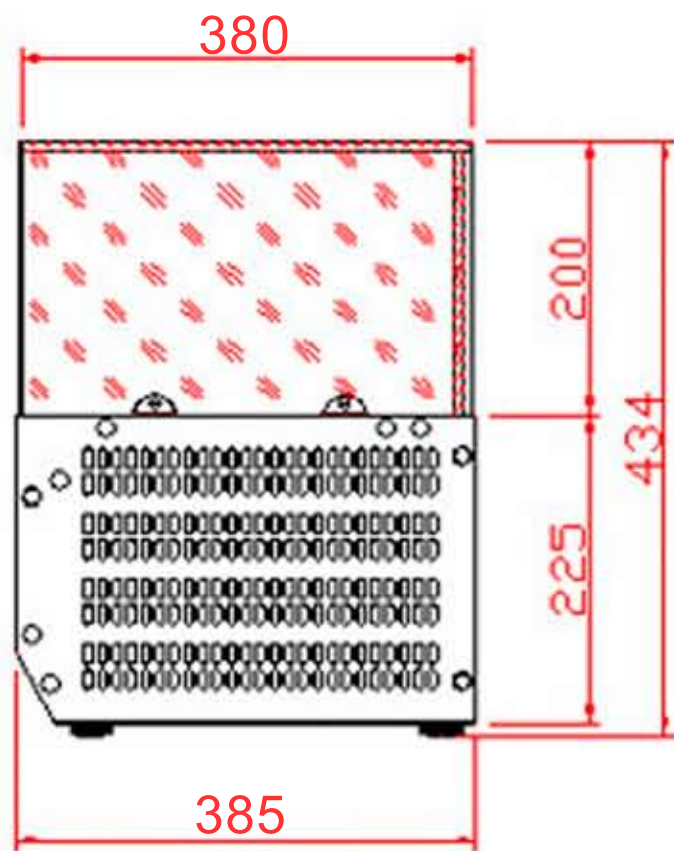
Guides for pizza trays

### Technical data

Climate Class	4
Temperature Range, °C	2 to 10
Gross Volume, l.	580
Net. Volume, l. (Net. Volume, energy rating)	565 (444)
External Dimensions, WxDxH	2045x800x(1390-1445)
Internal Dimensions, WxDxH	1562x630x589
Packing Dimensions, WxDxH	2050x840x1050
40'ft Container load, pcs.	28
Doors	3 hinged self-closing
Guides for pizza trays	7, each door
Exterior	SS304
Interior	SS304
Castors/Feet	6 adjustable legs
Lock	No
Voltage/Frequency, V/Hz.	220-240/50
Rated Input Power, W.	280
Energy Consumption. kWh/24h.	3.79
Gross Weight, kg.	328
Net. Weight, kg.	318
Noise Level, db(A)	42
Type of Cooling	Ventilated
Type of Defrost	Automatic
Type of Control	Electronic
Thermometer	Yes
Refrigerant	R134a
Charge, g.	250



<b>TEFCOLD</b> Cool Products Worldwide	Date: 140413
Model: PT1300	Rev.: 01
Dimensions	Rev. by: rfj
Drawing no.:	



<b>TEFCOLD</b> Cool Products Worldwide	Date: 140413
Model: VK38-200	Rev.: 01
Dimensions	Rev. by: rfj
Drawing no.:	