

IC100SC Ice Cream Freezer

Product features:

- Flat sliding lids with lock
- Thermometer
- Powder coated white inner liner
- 1 basket included
- 4 castors



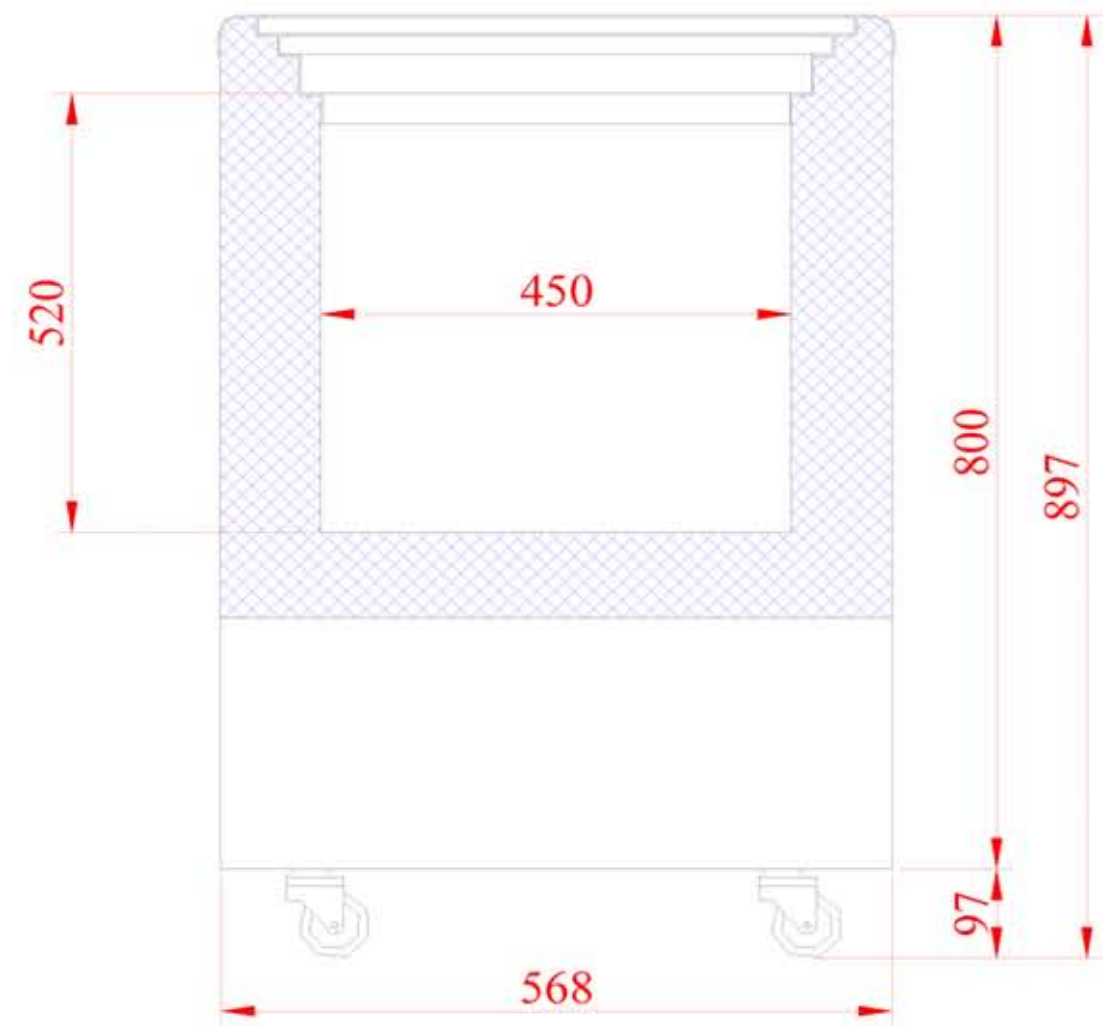
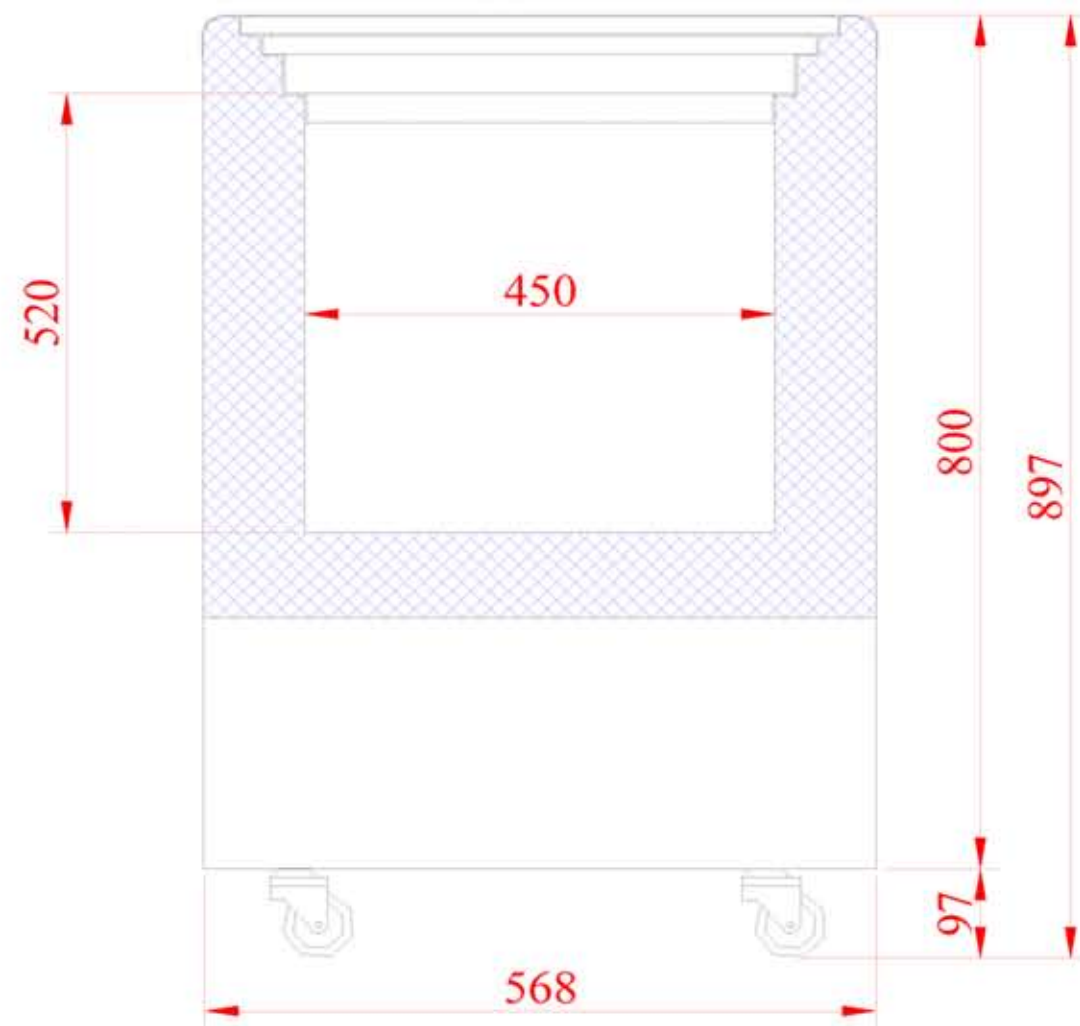
Double castors



Illuminated display board
as option

Technical data

Climate Class	4
Temperature Range, °C	-14 to -24
Gross Volume, l.	108
Net. Volume, l.	91
External Dimensions, WxDxH (With wheels)	570x570x800 (885)
Internal Dimensions, WxDxH	450x450x520
Packing Dimensions, WxDxH	680x700x950
40'ft Container load, pcs.	108
Lids	2 flat sliding glass
Baskets	1
Exterior	White
Interior	White
Castors/Feet	4 double castors
Lock	Yes
Voltage/Frequency, V/Hz.	220-240/50
Rated Input Power, W.	129
Energy Consumption. kWh/24h.	2.5
Gross Weight, kg.	47
Net. Weight, kg.	42
Noise Level, db(A)	45
Type of Cooling	Static
Type of Defrost	Manual
Type of Control	Mechanical
Thermometer	Yes
Refrigerant	R404a
Charge, g.	110



TEFCOLD Cool Products Worldwide	Date: 140413
Model:IC100SC	Rev.: 01
Dimensions	Rev. by: rfj
Drawing no.:	