



## FSC1200H Display Cooler

### Product features:

- Illuminated canopy
- Ventilated cooling
- Internal vertical light
- 2 hinged glass doors
- 1 bottom shelf
- 4 adjustable shelves
- Adjustable feet



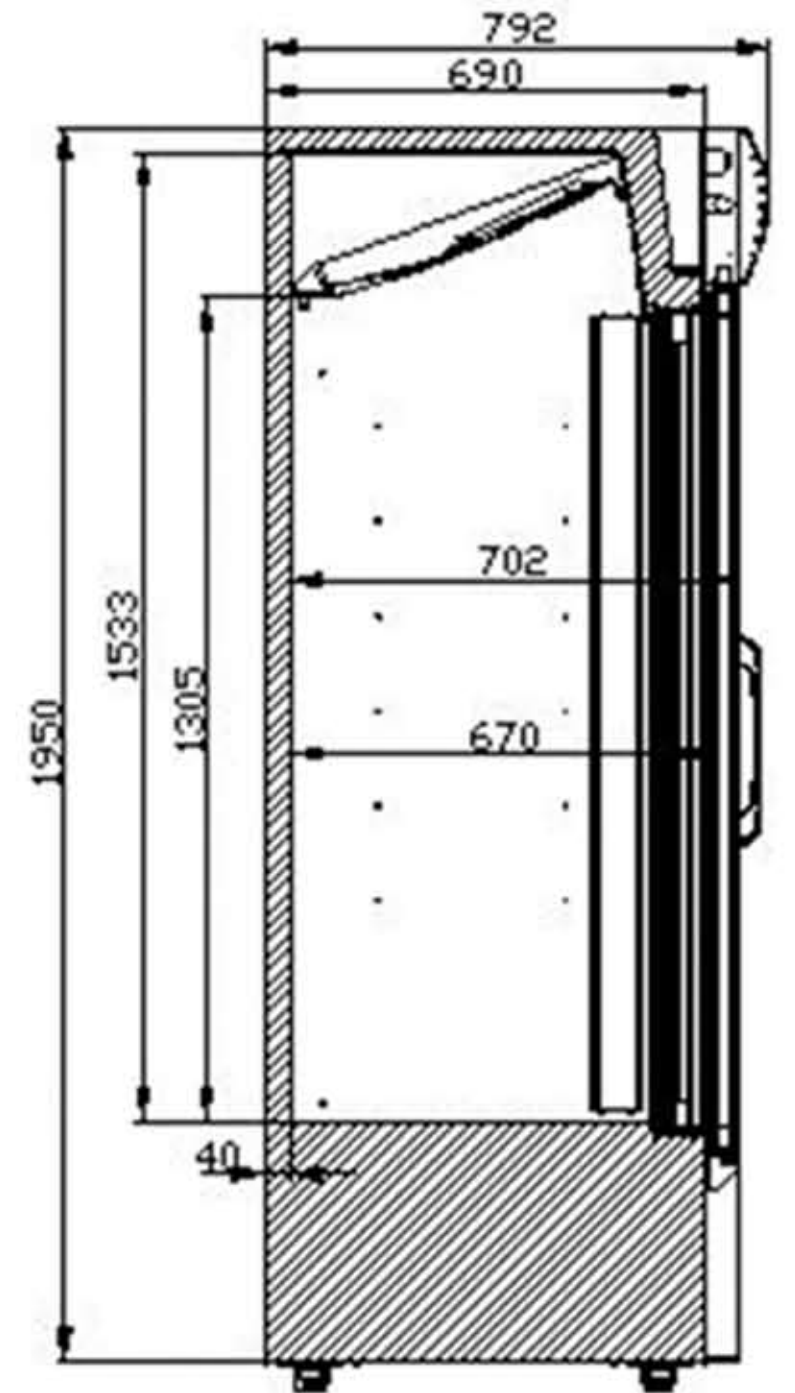
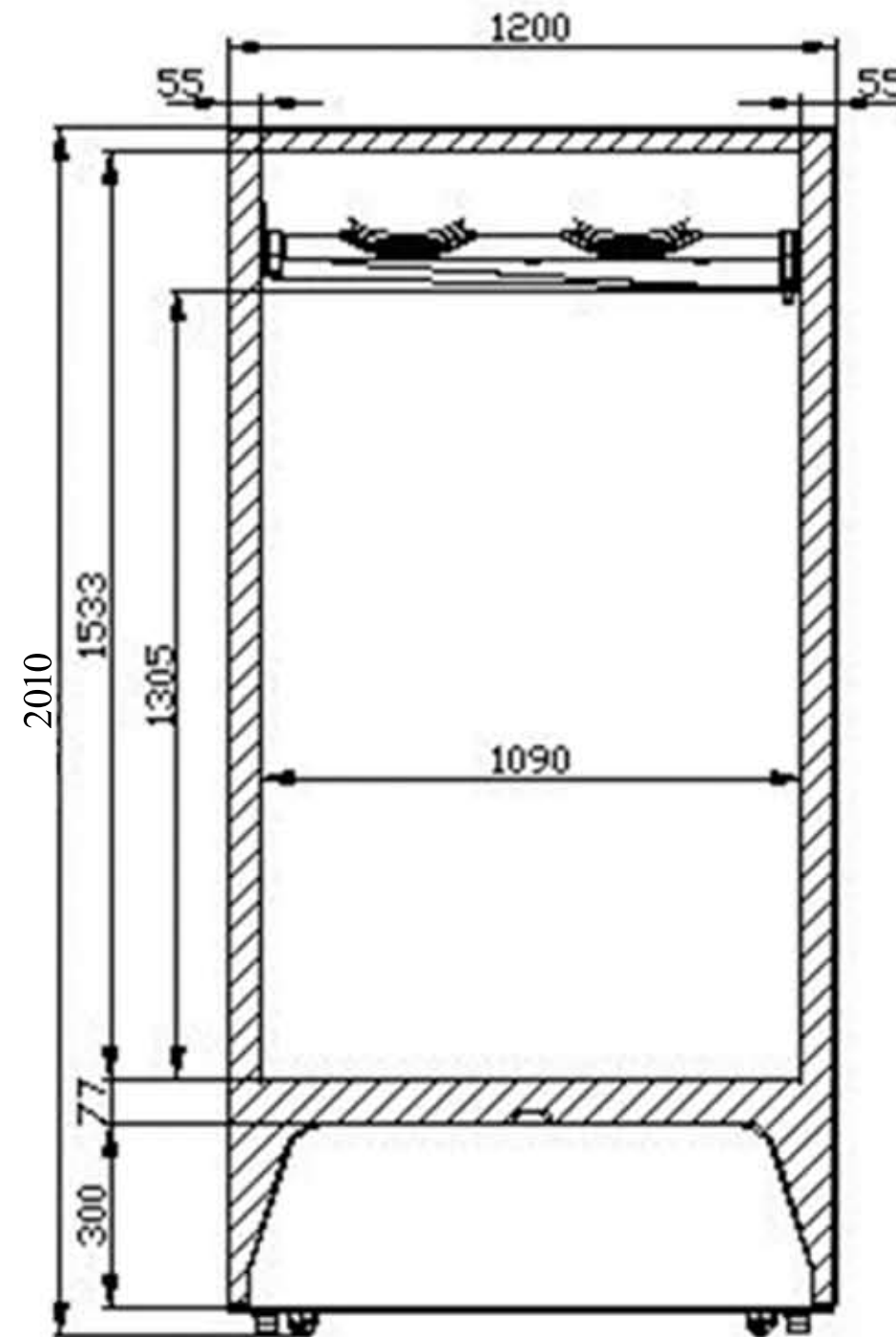
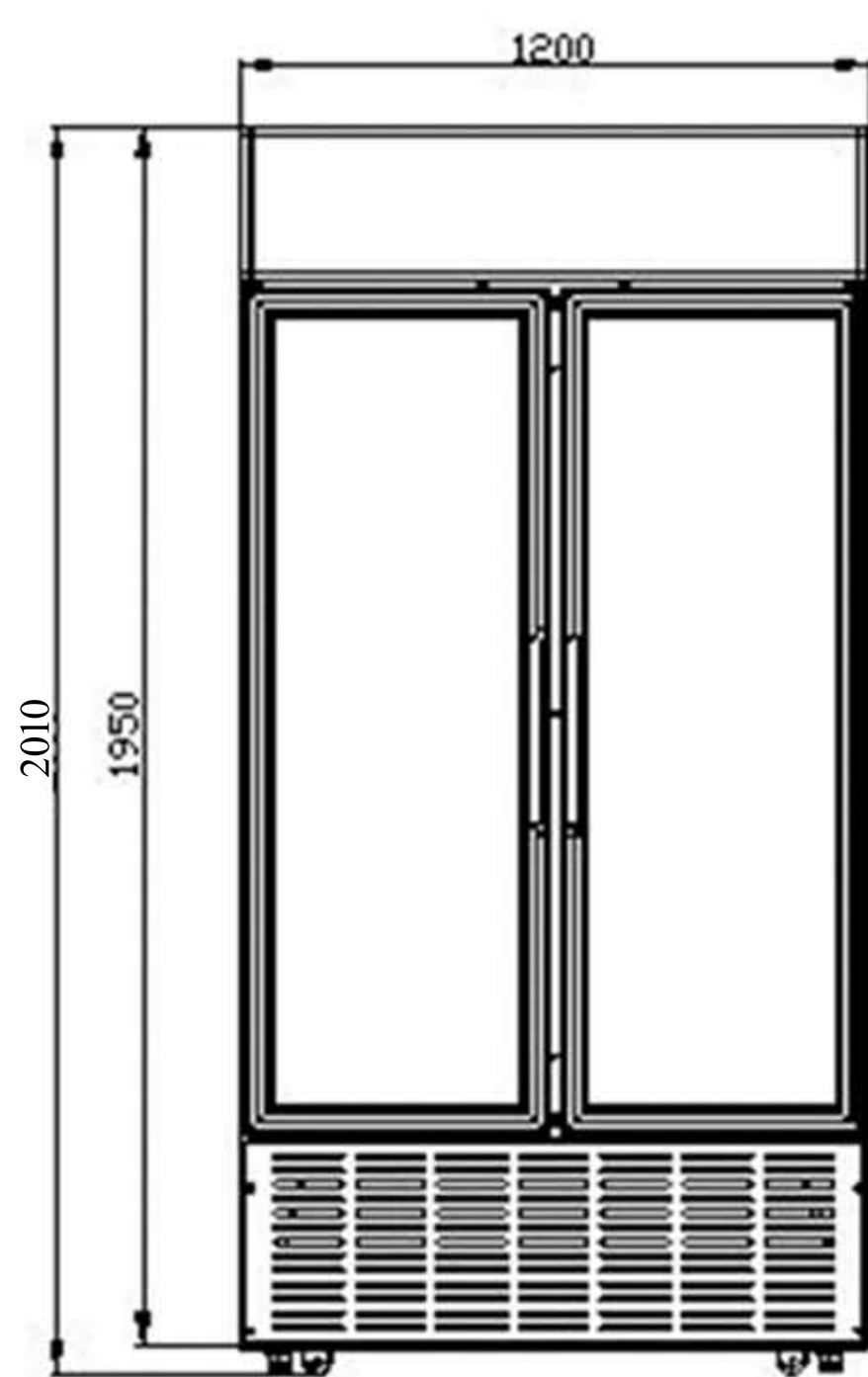
Strong handles



Vertical internal light

### Technical data

Climate Class	4
Temperature Range, °C	2 to 10
Gross Volume, l.	970
Net. Volume, l.	852
External Dimensions, WxDxH	1200x790x2010
Internal Dimensions, WxDxH	1090x670x1533
Packing Dimensions, WxDxH	1250x840x2100
40'ft Container load, pcs.	23
Door	2 hinged glass
Shelves	5
Exterior	White
Interior	Stucco aluminium
Castors/Feet	4 rollers and 4 adjustable feet
Lock	No
Voltage/Frequency, V/Hz.	220-240/50
Rated Input Power, W.	850
Energy Consumption. kWh/24h.	6.8
Gross Weight, kg.	189
Net. Weight, kg.	174
Noise Level, db(A)	48
Type of Cooling	Ventilated
Type of Defrost	Automatic
Type of Control	Mechanical
Thermometer	Yes
Refrigerant	R134a
Charge, g.	450
Internal Light	36 W Neon
Canopy light	30 W Neon



<b>TEFCOLD</b> Cool Products Worldwide	Date: 140413
Model: FSC1200H	Rev.: 01
Dimensions	Rev. by: rfj
Drawing no.:	