



FSC1200S Display Cooler

Product features:

- Illuminated canopy
- Ventilated cooling
- Internal vertical light
- Self-closing sliding glass doors
- 1 bottom shelf
- 4 adjustable shelves
- Adjustable feet



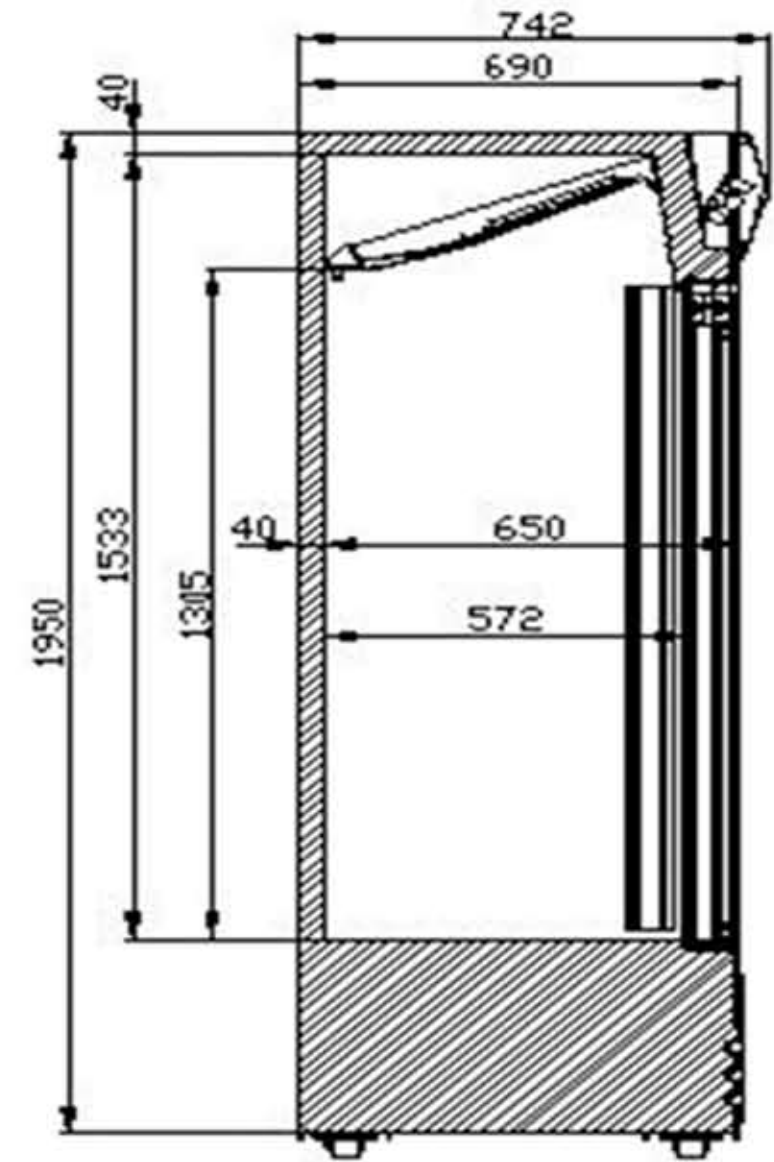
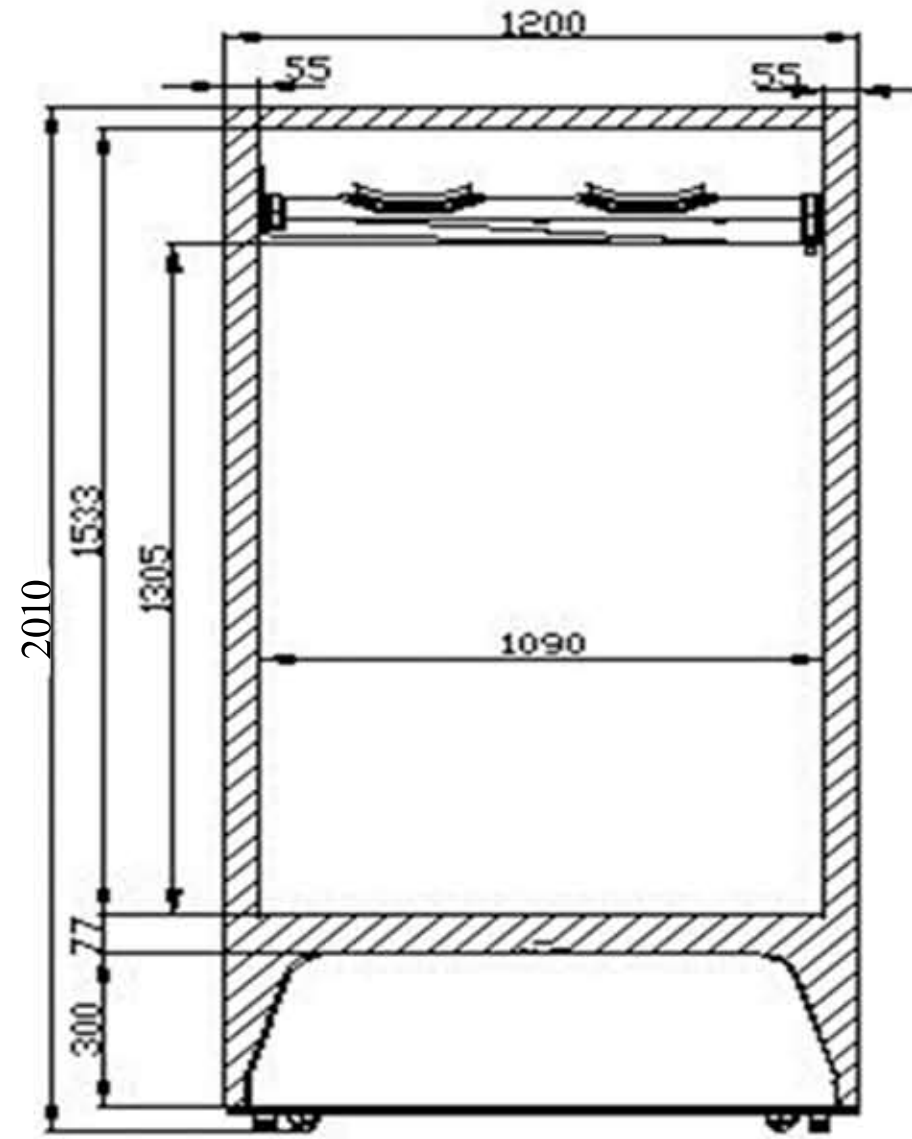
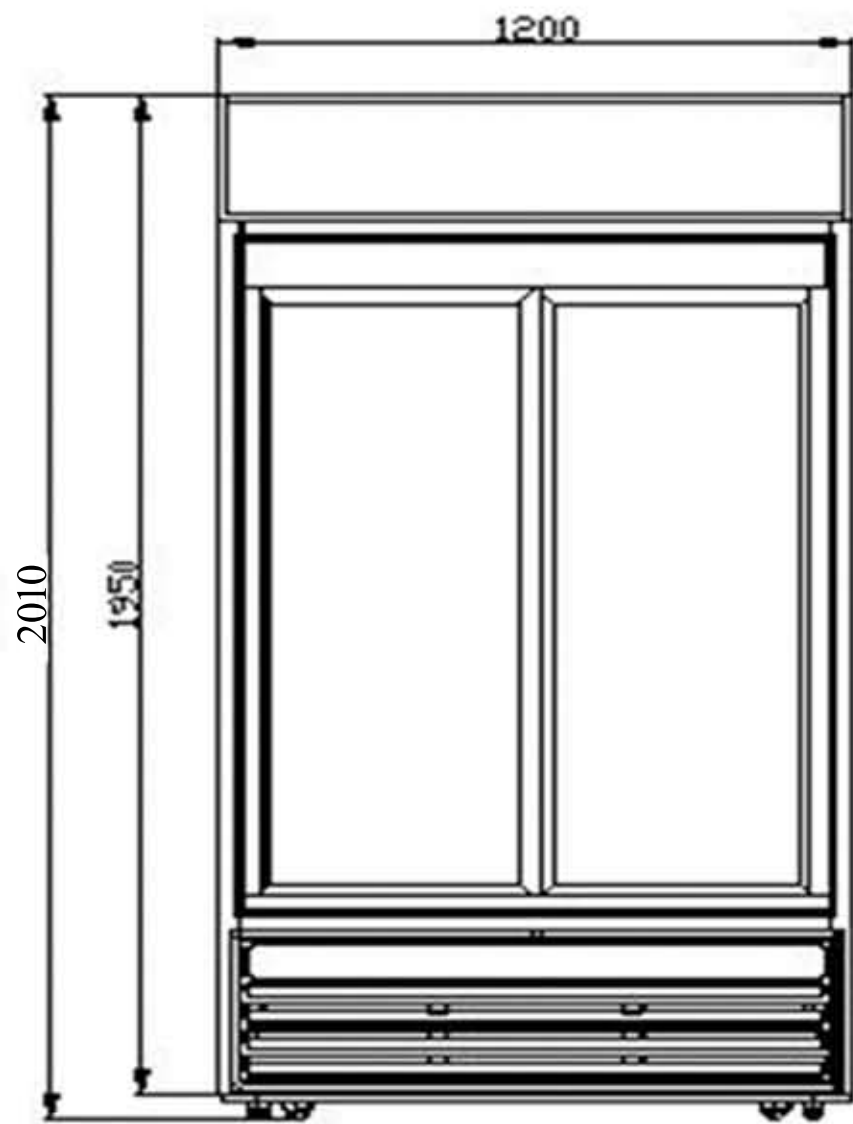
Sliding doors



Vertical internal light

Technical data

Climate Class	4
Temperature Range, °C	2 to 10
Gross Volume, l.	945
Net. Volume, l.	847
External Dimensions, WxDxH	1200x740x2010
Internal Dimensions, WxDxH	1090x572x1533
Packing Dimensions, WxDxH	1250x780x2100
40'ft Container load, pcs.	23
Door	2 self-closing sliding glass
Shelves	5
Exterior	White
Interior	Stucco aluminium
Castors/Feet	4 rollers and 4 adjustable feet
Lock	No
Voltage/Frequency, V/Hz.	220-240/50
Rated Input Power, W.	850
Energy Consumption. kWh/24h.	6.8
Gross Weight, kg.	183
Net. Weight, kg.	178
Noise Level, db(A)	48
Type of Cooling	Ventilated
Type of Defrost	Automatic
Type of Control	Mechanical
Thermometer	Yes
Refrigerant	R134a
Charge, g.	450
Internal Light	36 W Neon
Canopy light	30 W Neon



TEFCOLD Cool Products Worldwide	Date: 140413
Model: FSC1200S	Rev.: 01
Dimensions	Rev. by: rfj
Drawing no.:	