

Slope Bin 406 kg



MC 46 - 310 Kg
Bin Top
CBT48MCSD
(sold separately)



MV / P-MV456 - 240 Kg
MV460 - 200 Kg
MV / P-MV606 - 320 Kg
MV / P-MV806 - 430Kg
MV / P-MV1006 - 465 Kg

Bin Top
CBT48FMCD
(sold separately)



C 1448 - 657 Kg
C 1848 - 807 Kg
C 2148 - 884 Kg



C 0530 - 237 Kg
C 0630 - 328 Kg
C 0830 - 382 Kg
C 1030 - 456 Kg

Bin Top
CBT48AMSD
(sold separately)



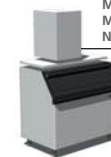
F1222 - 445 Kg

Bin Top
CBT48FMCD
(sold separately)



MF46 / MF47 - 330 Kg
MF56 / MF57 - 600 Kg
MF58 Split - 600 Kg
MF59 Split - 850 Kg
MF68 Split - 1200 Kg
MF69 Split - 1900 Kg

Bin Top
CBT48FMCD
(sold separately)



MFN46 - 270 Kg
MFN56 - 470 Kg
N622 - 292 Kg

Bin Top
CBT48FMCD
(sold separately)



Features

- Slope front ice storage bin, for Gourmet & Dice Cubes, Flake, Superflake, Nugget, Cubelet ice.
- New sleek, contemporary styling. A perfect match to MC, MF, MV, PMV and Prodigy Scotsman modular cube ice machines in 123cm / 48" width.
- Convenient & hygienic internal ice scoop holder.
- Exterior panels in durable stainless steel.
- Polyurethane Insulation,
- High density, non-corroding Polyethylene bin liner, is designed with easy-to-clean rounded corners, and resists scratches and scuffs from ice scoops.
- Robust door frame will resist operational abuse.
- Rounded door-lip profile allows an easy reach for enhanced ease of operation.
- Fully removable door gasket seals door opening to reduce ice melt, easily disassembled for manual cleaning.
- Internal ice deflector enhances ice distribution to maximize bin storage capacity.
- Load resistant, stainless steel adjustable legs.
- Bin Caster available on request for selected models.
- Storage bin base drain tube conveniently rotates at 360° radius to allow ease-of-connection with any floor water drain position

(Application) capacity is calculated on 90% of total volume in the cubic feet x 34 lb/ft³ - 545 kg/m³.

(AHRI) capacity is calculated on 80% of total volume in the cubic feet x 30 lb/ft³ - 481 kg/m³.

				 [WxDxH mm] 1236x868x1274	
	Ice Capacity (Application)	Ice Capacity (AHRI)	Internal Volume		
	[kg]	[lbs]	[kg]	[lbs]	m ³
SB 948	406	893,2	319	701,8	0.83
					[WxDxH inches] 48 5/8" x 34 3/16" x 50 1/8"

This product qualifies for the following listings:



2 Years Warranty

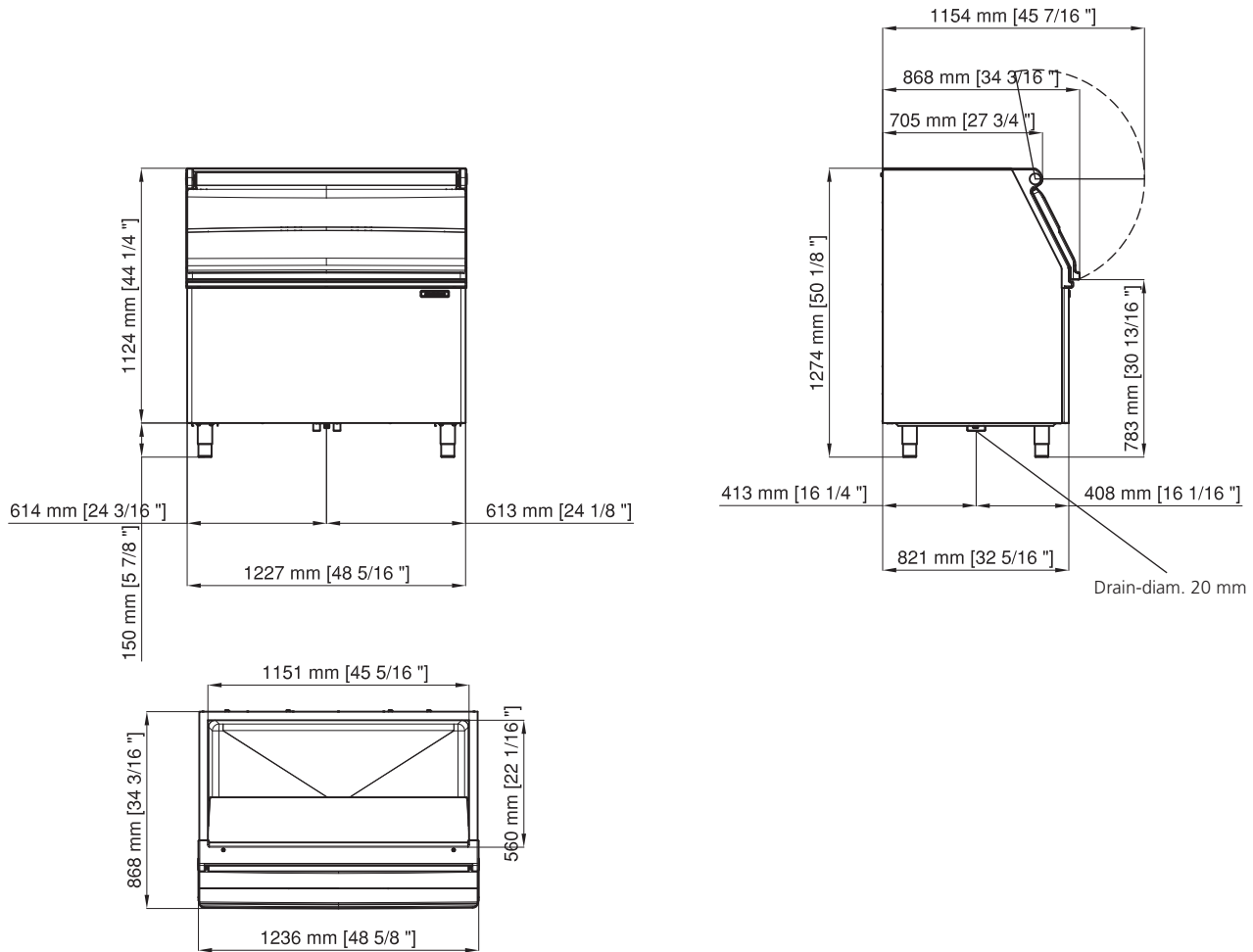
Subject to certain limitations and exclusions



Certified ISO 9001:2000

www.scotsman-ice.it
www.scotsman-ice.com
www.scotsman-ice-on-tablet.com

Models and specifications are subject to change without notice.

Storage capacity 406 Kg



				
	[kg]	[lbs]	[kg]	[lbs]
SB 948	73	160,6	97	213,4

CONTACT POINTS:

Europe
Scotsman Europe-Frimont S.p.A.
Ph/Fax +39-0293960208 / 0293960201
scotsman.europe@frimont.it
Paolo Moro

Middle East & N. Africa
Scotsman-Frimont Regional Office (ME&A)
Ph/Fax +97-16 5262944 / 165262946
m.dawood@frimont.ae
fernando.m@frimont.ae

Asia and Pacific
Scotsman Industries (S) PTE. L.T.D.
Ph/Fax +65-67385393 / 67381959
scotsman@scotsman.com.sg
Andrea Tronci

South Africa
Scotsman SA (Pty) Ltd - Ice Systems (Pty) Ltd
Ph +27-0105900609 / 0877200245/6/7/8
Fax: +27-118264123 / 0866340803
stuart@scotsmansa.co.za - jennifer@scotsman.co.za

India
Scotsman Group India
Ph/Fax : +91-1244002459 / direct 9560072459
david.owen@scotsman.com.sg

Spain
Scotsman España, S.L.U. c/ Galapagar, 12
Ph/Fax +34-911109796 / 916337423
scotsman@scotsman-espana.es
Daniel Doblado

China
Scotsman Ice Systems (Shanghai)
Ph/Fax : +86-2161313200 / 2161313330
scotsman.shanghai@scotsman-china.com
Andrew Clayton