

## VULCANO 3/1 INFRA

SKU: 03600VU3RED



AISI 304 Stainless steel warming plate completed with infrared lamps stand. Dry-heating with heating elements placed underneath the shelf, temperature controlled by mechanical thermostat ( 30°/ 90°C) with indicator light. Infrared lamps with independent lighting switch.

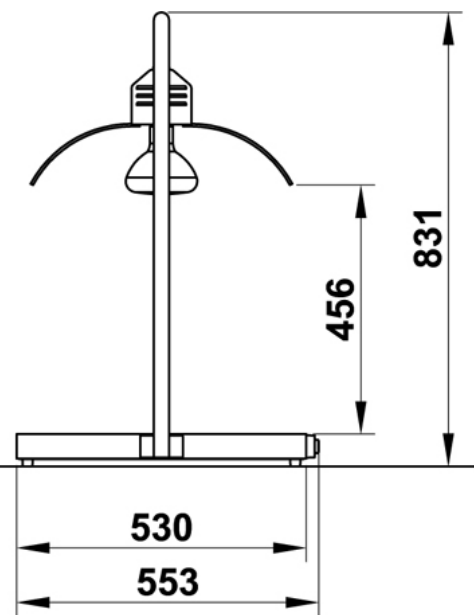
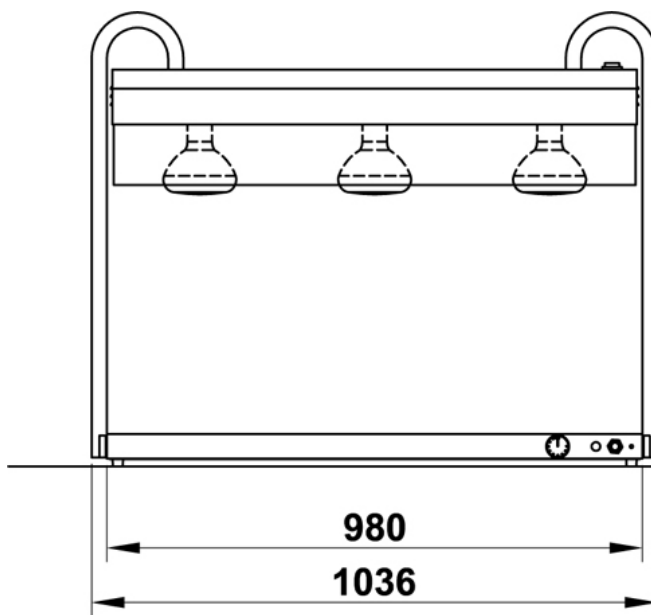
**GN**



**230V**

**3 GN 1/1**

**1500 750 W**



## Optional/Options

WL



White infrared lamp