



VULCANO 2/1 INFRA

SKU: 03600VU2RED

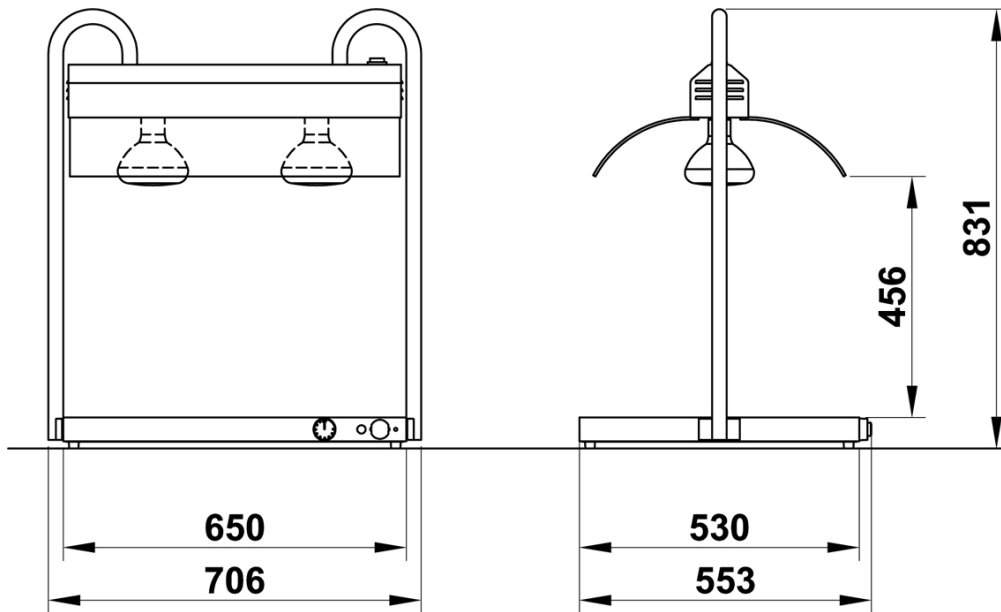
AISI 304 Stainless steel warming plate completed with infrared lamps stand. Dry-heating with heating elements placed underneath the shelf, temperature controlled by mechanical thermostat (30°/ 90°C) with indicator light. Infrared lamps with independent lighting switch.

GN



2 GN 1/1

750 500 W



Optional/Options

WL



White infrared lamp