

Specification

CombiMaster® 61 E (6 x 1/1 GN)

Reference number:



Description

- Hot-air steamer (combi-steamer mode) conforming to DIN 18866 for most of the cooking methods used in commercial kitchens for the optional use of steam and hot-air, individually, in succession or in combination.

Working safety

- HACCP data output and software update via integral USB port
- Safety temperature limiter for steam generator and hot-air heating
- VDE approved for unsupervised operation
- Maximum rack height 5 ¼ ft. / 1.60 m when original stand used
- Integral fan impeller brake
- Door handle with right/left and slam function

Operation

- Mode selector control for cooking modes, separate controls for temperature, core temperature and time settings
- LED illuminated display, visible from a distance
- Clear control panel

Cleaning, care and operational safety

- Manual cleaning program
- Diagnostic system with automatic service notices displayed
- Menu-guided user descaling program

Features

- USB port
- Probe for core temperature measurement
- Individual programming of 100 cooking programs each with up to 6 steps
- 5 fan air speeds, programmable
- Integral, maintenance-free grease extraction system with no additional grease filter
- Cool-down function for fast cabinet fan cooling
- High-performance fresh steam generator
- Automatic, active rinsing and drainage of steam generator by pump
- Automatic adaptation to the installation location (height, climate, etc.)
- Seamless hygienic cooking cabinet with rounded corners, cabinet with splash guard - stops water from spilling out
- Removable, swivelling grid shelves (distance between rails 2 5/8" / 68 mm)
- Material inside and out 304 (DIN 1.4301) stainless steel
- Hand shower with automatic retracting system
- Separate solenoid valves for normal and softened water
- Fixed waste water connection conforming to SVGW requirements where permitted
- Splash and hose-proof to IPX 5
- Demand-related energy supply
- Lengthwise loading for 12"x20" or 1/1, 1/2, 2/3, 1/3, 2/8 GN accessories
- Temperature unit is selectable in °C or °F
- Dynamic air mixing

ClimaPlus



Climate management - humidity measurement, 5-stage setting and regulation

Combi-Steamer mode



Steam between 30 °C and 130 °C



Hot-air from 30 °C-300 °C



Combination of steam and hot-air
30 °C-300 °C

Approval/Labels



Planner/Designer:



Specification/Data sheet

Fri May 12 05:51:45 CEST 2017

CombiMaster® 61 E (6 x 1/1 GN)

Technical Info

Lengthwise loading for:	1/1, 1/2, 2/3, 1/3, 2/8 GN	Height:	30 3/4 inch / 782 mm	Connected load electric :	11 kW	
Capacity (GN-container/grids):	6 x 1/1 GN	Weight (net):	99 kg	"Steam" connection:	9 kW	
Number of meals per day:	30-80	Weight (gross):	119 kg	"Hot-air" connection:	10,3 kW	
Width:	847 mm	Water connection (pressure hose):	3/4" / d 1/2"	Mains connection	Breaker Size / (amp draw)	Cable crossection
Depth:	776 mm	Water pressure (flow pressure):	150-600 kPa / 0,15-0,6 Mpa / 1,5 - 6 bar	3 NAC 400V	3x16 A	5 x 2,5 mm ²
		Water drain:	DN 50 mm	50/60Hz		
				Other voltage on request!		

Installation

- Attention: Copper wiring only!
- Recommended left hand clearance for service and maintenance 20" / 500 mm. It must be a minimum of 14" / 350 mm if heat sources are affecting the left side of the unit
- Installations must comply with all local electrical, plumbing and ventilation codes

Options

- Special voltages

Accessories

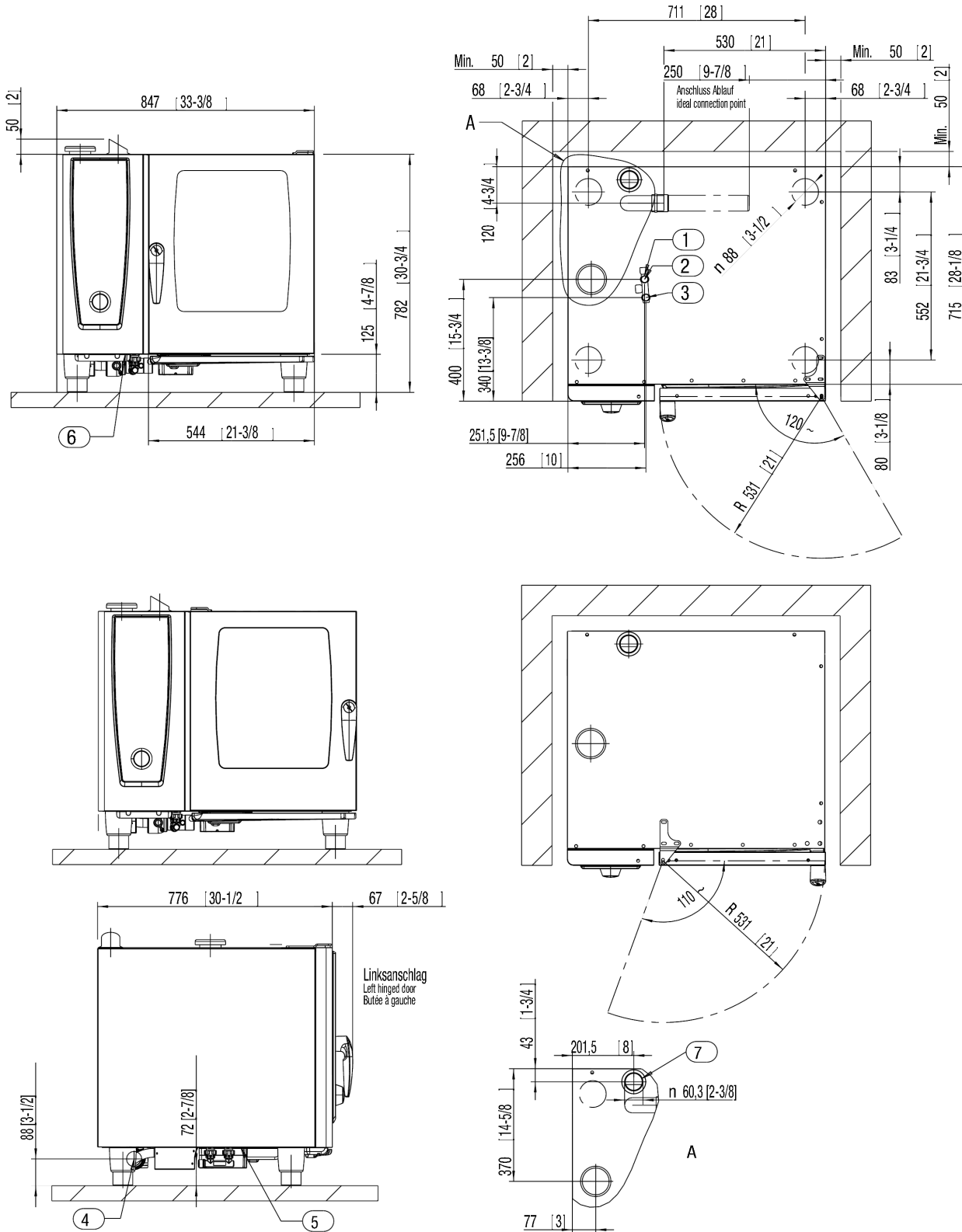
- Wall Bracket for securing
- GN Containers, Trays, Grids
- Stands / Cabinets
- Thermocover
- Transport Trolley
- Exhaust hood
- UltraVent® Plus condensation hood with special filter technology
- UltraVent® condensation hood
- Hinging rack for bakers or butchers
- Mobile oven rack and hinging rack for bakers
- Mobile oven rack for bakers
- Grease drip container
- Catering kit

RATIONAL UK

Unit 4 Titan Court, Laporte Way
Portenway Business Park, Luton LU4 8EF
Tel.: +44 (0) 1582 480388, Fax.: +44 (0) 1582 485001

Visit us on the internet: www.rational-online.uk

We reserve the right to make technical improvements



1. Common water supply (cold water) "Single" water connection as shipped 2. Water supply cold water / condensate "Split" water connection 3. Water supply cold / Treated "Split" water connection 4. Drain 2" OD 5. Electrical connection wire entrance 6. Chassis Ground connection 7. Steam Vent pipe 2 3/8" / 60mm Minimum Clearance 2" / 50 mm Left side clearance 20" recommended for servicing of unit without the ability to move unit while connected. Measurements in mm (inch)