

Mobile plate rack 61 - Standard, 20 plates

Article number: 60.61.047

Description

- Finishing® up to 20 plates
- Max. plate diameter 310 mm (12 1/4")
- Contact surface of the plate max. 195 mm in diameter
- Height of plate rim max. 25 mm
- Height of meals max. 53 mm
- Ring distance 63 mm
- Device for locking the mobile plate rack in the unit
- Hoop handle fixed on the mobile plate rack
- Ceramic tube for core temperature
- weight 10 kg
- 410(16-1/8) mm(inch)W x 630(24-3/4) mm(inch)D x 455(17-7/8) mm(inch)H

Difference to standard

- none

Capacity (GN-container/grids)

- 20 plates max. 310 mm in diameter

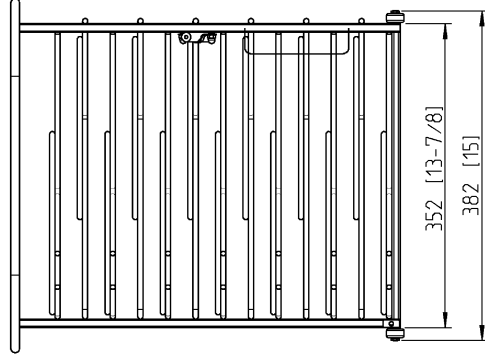
Material

- CNS 1.4301 (CNS 304)

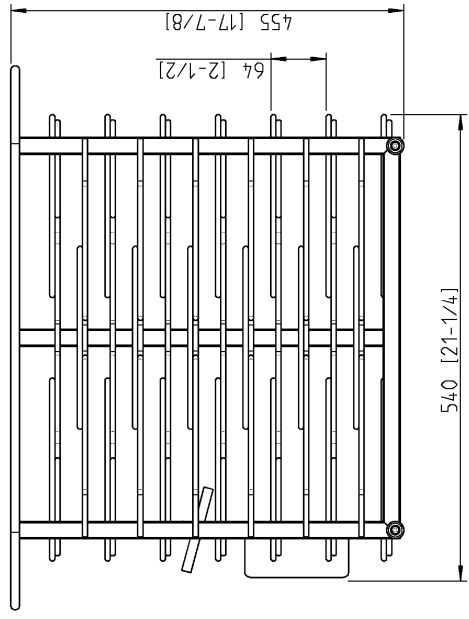
Hint

- Only in conjunction with run-in rail!
- In conjunction with transport trolley and Thermocover (Optional)

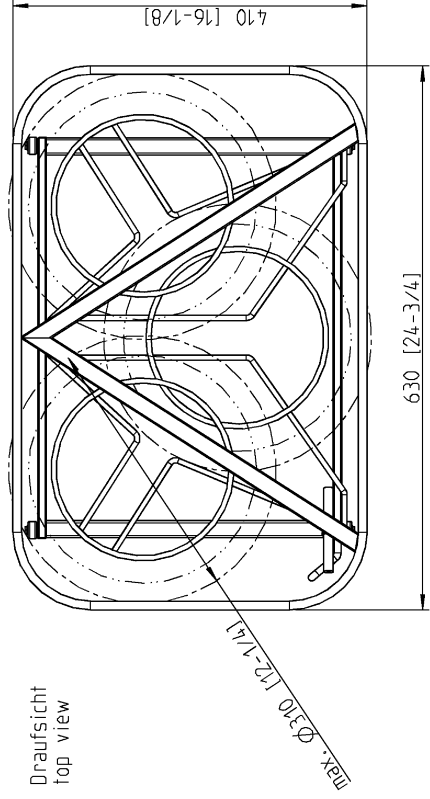
Mobile plate rack 61 - Standard, 20 plates



Vorderansicht
front view



Seitenansicht
side view



Draufsicht
top view

mm [inch]

Zeichnungsausdruck unterliegt nicht dem Änderungsdienst!
Printed drawing is not automatically updated!
 La mise à jour n'est pas assurée sur les plans papier.
 The drawing is released!
 Le plan est validé. Drawing is released! 15.02.07 09:13:56

Teilbezeichnung / part name / designation Pcs		THGW 61/20 Teller kpl.	
Mediab Eckzelle		mobile plate rack 20 plates	
Maßstab 1:5			
Erstellung Date Status		THGW 61 WA5	
Spez./data sheet/Specifications			
Dateiname Project number		84.00.034	
Volumen/Volume [mm ³]		Gewicht/Weight [poids]	
1163656		9.135	
Mischkennzeichen / Material references / reference number		60.61.047	
DIN6510-BF			
Form- und Lagetoleranzen nach ISO 2768-H			

Technische Änderungen vorbehalten/technical variation reserved