

## Stand UG 1 type 61 on 61 - Combi-Duo mobile (Height 228 mm)

---

Article number: 60.30.363

### Description

- Stand is for the height extension for Combi Duo 61 on 61
- For customers which prefer to have more working height
- Height extension 228 mm (9")
- No intermediate bottom, open at all sides
- 843(33-1/4) mm(inch)W x 697(27-1/2) mm(inch)D x 228 (9)mm(inch)H

### Difference to standard

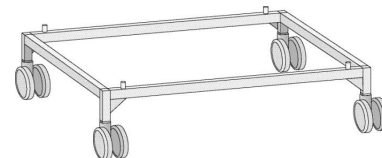
- Mobile
- 4 Tandem steering casters (2 with brake - metal parts CNS)
- metal parts of the Tandem steering casters are made of CNS

### Material

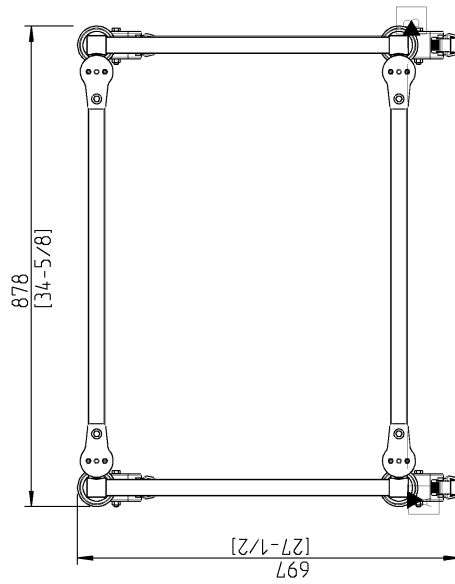
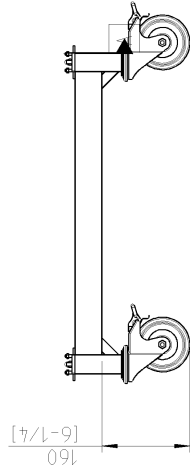
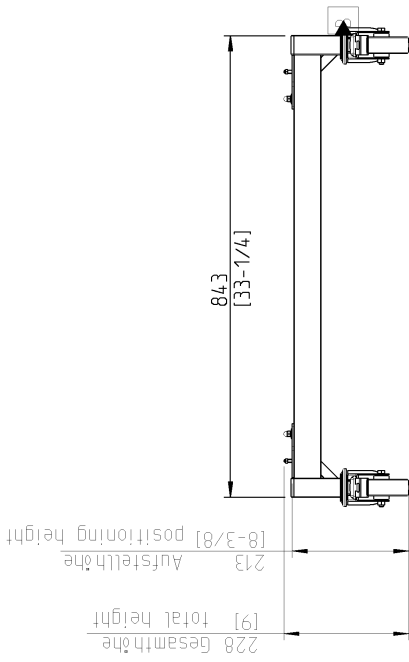
- CNS 1.4301 (CNS 304)

### Hint

- To be delivered with fastening kit for mounting the unit on stand
- NSF proved



# Stand UG 1 type 61 on 61 - Combi-Duo mobile (Height 228 mm)



Technische Änderungen vorbehalten/technical variation reserved

**Zeichnungsausdruck unterliegt nicht dem Änderungsdienst!**  
**Printed drawing is not automatically updated! La mise à jour n'est pas assurée sur les plans papier!**

Für diese Zeichnung behalten wir uns alle Rechte vor. Urheberrechtsgesetz § 14 I Copyright by RATIONAL AG. Reproduktion ist ausdrücklich untersagt. REPRODUCTION INTERDITE.		Teilbezeichnung / part name / Désignation Pcs UG 1 Combi Duo fahrbar UG 1 Combi Duo mobile UG 1 Combi Duo mobile				
Ind	revision/modification	Date	description	Genehmigte Date	Erreichte Date	Werkstoffe
				25.01.12	STR0	
				26.01.12	STR0	
				30.01.12	SJ	
Projekt / project / Projet <b>WAT7</b>						
Engineering drawing / document number <b>061/101</b>						
Project / project / Project <b>WAT7</b>						
Drawing number / document number <b>84.00.562</b>						
Volume (sheet) <b>0089.xx</b>						
Weight (kg) <b>60.30.363</b>						
Specification / sheet specifications <b>0089.xx</b>						
Drawing number / article number <b>60.30.363</b>						
Drawing No. DWG <b>1</b>						
Drawing dimensions <b>878x697x228mm</b>						
Drawing scale <b>1</b>						
Drawing standard <b>DIN A3</b>						