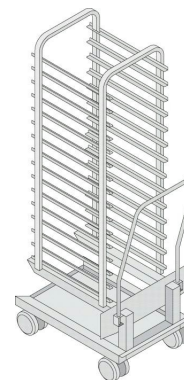


Mobile oven rack 201 - Special 17 rails, distance 74 mm

Article number: 60.21.174

Description

- Special version with container locking device
- loadable from both sides
- 17 Rails
- U-rails
- rail distance 74 mm
- Free space from lowest rack to the bottom plate 46 mm
- Free space from upper rack to cooking cabinet opening 107 mm
- 4 Tandem steering casters (2 with brake - metal parts CNS)
- Maximum rack height 5 ¼ ft. (1.60 m)
- Removable drip pan with drain
- Weight 46 kg
- 523(21) mm(inch)W x 814(32) mm(inch)D x 1715,5(68) mm(inch)H



Difference to standard

- 17 Rails
- rail distance 74 mm

Capacity (GN-container/grids)

- 1/1 GN Grid x 17
- 1/1 GN Roast- and baking tray x 17
- 1/1 GN Baking tray, aluminium perforated x 17
- Chicken Superspike H4-1/2 (up to 1.300 g) x 10
- Chicken Superspike H6-1/1 (up to 1.500 g) x 5
- Chicken Superspike H8-1/1 (up to 1.300 g) x 5
- Chicken Superspike H10-1/1 (up to 950 g) x 5
- 1/1 GN 20, 40, 55, 65 mm deep x 17
- 1/1 GN 90, 100 mm deep x 8
- 1/1 GN 140 mm deep x 8
- Use of other containers 1/3 GN, 1/2 GN, steam pans 12" x 20", hotel pans 13" x 18" (2/3 GN, 1/4 GN crosswise)

Material

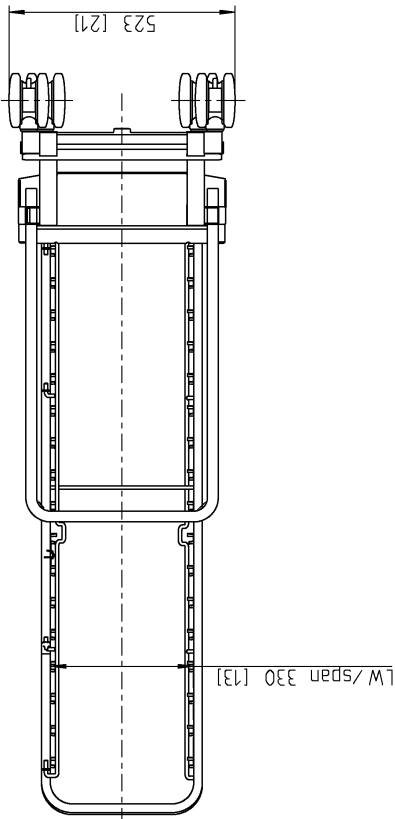
- CNS 1.4301 (CNS 304)

Hint

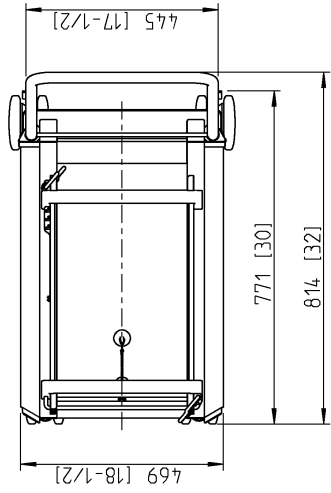
- To be delivered with handle
- In conjunction with Thermocover (Optional)

Mobile oven rack 201 - Special 17 rails, distance 74 mm

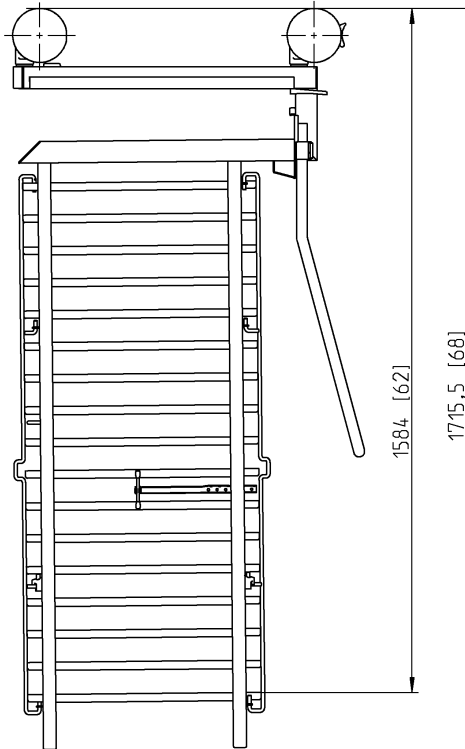
Vorderansicht
front view



Draufsicht
top view



Seitenansicht
side view



mm (inch)

Zeichnungsausdruck unterliegt nicht dem Änderungsdienst!
Printed drawing is not automatically updated! La mise à jour n'est pas assurée sur les plans papier!

| | | | | | |
|---|---------|--|-----|---|--|
| Für diese Zeichnung behalten wir uns alle Rechte vor. Urheberrechtsgesetz § 141 Copyright by RATIONAL AG. Reproduktion ohne schriftliche Genehmigung der RATIONAL AG. REPRODUCTION INTERDITE. | | Titelblock Modell Eckteile Eckteile 1 : 10 | | Teilbezeichnung / part name / designation Pt. HGW 201 ITP AS 01/04 mobile oven rack 17 pairs of rails | |
| Zust./Modifizierung/Modification | | Bemerkungen | | Erstverwendung / first use / designation | |
| 1 | 2008028 | 13.08.07 | GBM | SCC/CM 201 ITP AS | |
| Zust./Modifizierung/Modification | | Bemerkungen | | Stück / data sheet / Specifications | |
| | | | | Stücknummer / piece number | |
| | | | | 84.00.062 | |
| | | | | Volumen / volume / Volume [mm ³] Gewicht / weight / poids [kg] | |
| | | | | 7527626 | |
| | | | | Teilnummer / piece number | |
| | | | | 60.21.174 | |
| | | | | Abmessung / dimension | |
| | | | | 523x814x1715,5 | |
| | | | | Form- und Lagetoleranzen nach ISO 2768-H | |

Technische Änderungen vorbehalten/technical variation reserved