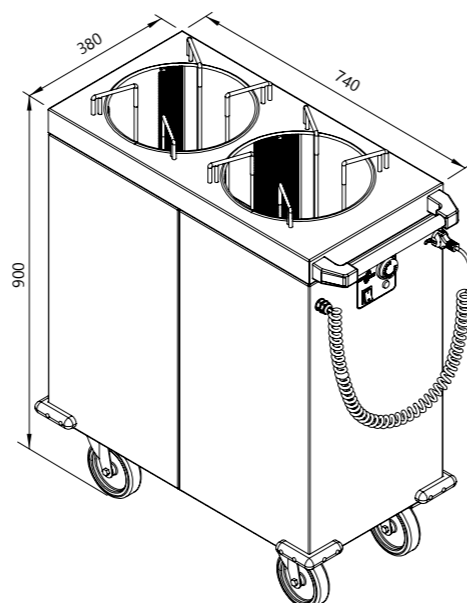


# HEATED DISPENSER TROLLEY FOR PLATES

## STANDARD FEATURES



Model	Diameter of plates (mm)	Amount of plates	Max load (kg)	°C	Input	Power
VTLW2-38/74/90	160 - 280	2 x 55	2 x 35	+30 ... +90	8,7 A	2000 W



Ergonomic stainless steel handle



Protecting bumpers.  
Set of wheels Ø125 mm (4 pcs),  
2 pcs with stopping device  
"Blickle" – Germany



Diameter of plates 160 - 280 mm



Adjustable temperature  
+30 ... +90 °C



Hygienic open-bottom design



Self adjustable to weight of the plates

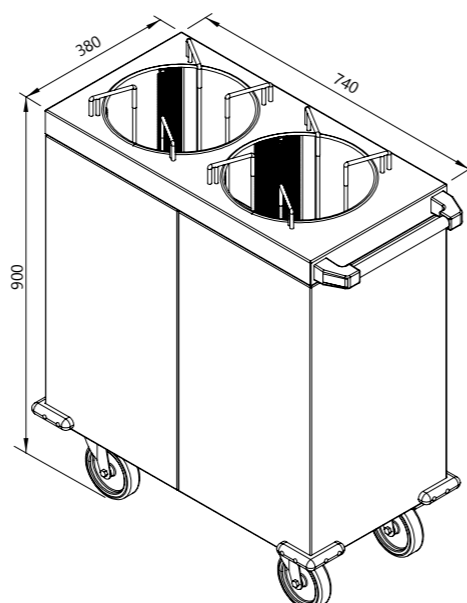


Double-wall construction with thermal insulation

More technical information on last pages.  
Customised equipment is available. Examples on last pages.

# NEUTRAL DISPENSER TROLLEY FOR PLATES

## STANDARD FEATURES



Model	Diameter of plates (mm)	Amount of plates	Max load (kg)
VTLD2-38/74/90	160 - 280	2 x 55	2 x 35



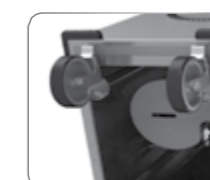
Ergonomic stainless steel handle



Protecting bumpers.  
Set of wheels Ø125 mm (4 pcs),  
2 pcs with stopping device  
"Blickle" – Germany



Diameter of plates 160 - 280 mm



Hygienic open-bottom design



Self adjustable to weight of the plates

More technical information on last pages.  
Customised equipment is available. Examples on last pages.