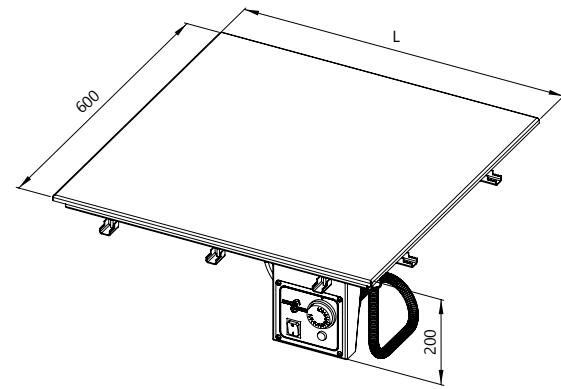
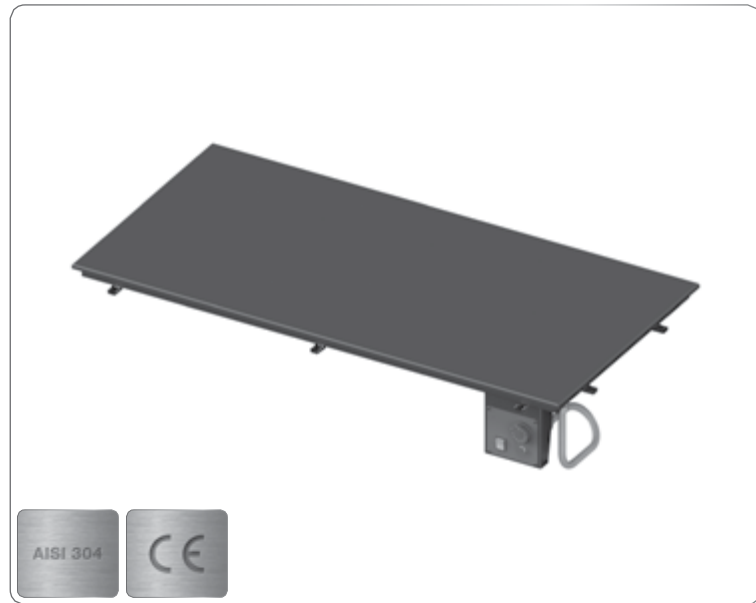
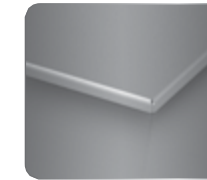
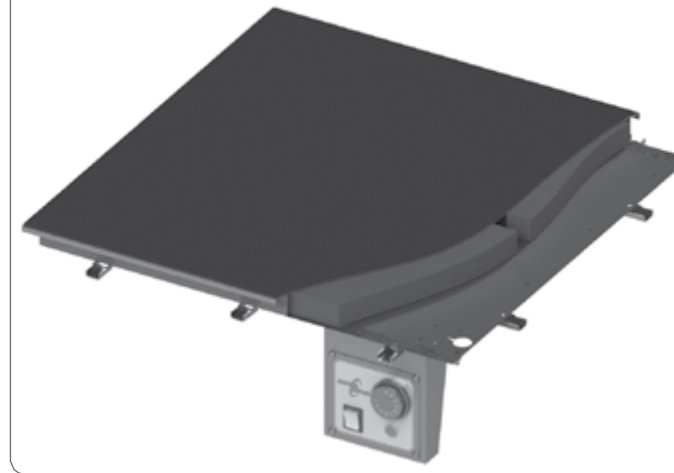


STANDARD FEATURES



EFFICIENT THERMAL INSULATION CONSTRUCTION



Easily fits on table top



Adjustable temperature
+30 ... +90 °C

LENGTH L, mm	Model	Cut out (mm)	°C	Input	Power
400	UWP1-40/60/20	375 x 575	+30 ... +90	1,0 A	240 W
500	UWP1-50/60/20	475 x 575	+30 ... +90	1,3 A	310 W
600	UWP1-60/60/20	575 x 575	+30 ... +90	1,6 A	390 W
700	UWP1-70/60/20	675 x 575	+30 ... +90	2,0 A	450 W
800	UWP1-80/60/20	775 x 575	+30 ... +90	2,3 A	520 W
900	UWP1-90/60/20	875 x 575	+30 ... +90	2,6 A	590 W
1000	UWP1-100/60/20	975 x 575	+30 ... +90	2,9 A	660 W
1100	UWP1-110/60/20	1075 x 575	+30 ... +90	3,2 A	730 W
1200	UWP1-120/60/20	1175 x 575	+30 ... +90	3,5 A	800 W
1300	UWP1-130/60/20	1275 x 575	+30 ... +90	3,8 A	870 W
1400	UWP1-140/60/20	1375 x 575	+30 ... +90	4,2 A	970 W
1500	UWP1-150/60/20	1475 x 575	+30 ... +90	4,5 A	1040 W
1600	UWP1-160/60/20	1575 x 575	+30 ... +90	4,8 A	1110 W
1700	UWP1-170/60/20	1675 x 575	+30 ... +90	5,1 A	1180 W
1800	UWP1-180/60/20	1775 x 575	+30 ... +90	5,5 A	1250 W
1900	UWP1-190/60/20	1875 x 575	+30 ... +90	5,8 A	1320 W
2000	UWP1-200/60/20	1975 x 575	+30 ... +90	6,1 A	1390 W

More technical information on last pages.
Customised equipment is available. Examples on last pages.