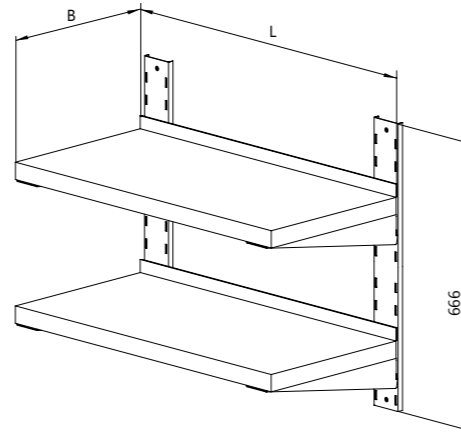


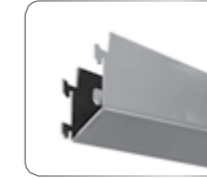
## STANDARD FEATURES



### EASY TO ASSEMBLE



Easy to change height of the shelf



Heavy duty double bracket



Max loading 40 kg/shelf (uniform layout)

## ACCESSORIES

LENGTH L, mm	WIDTH B, mm	
	300 Model	400 Model
600	LSL2-60/30/67	LSL2-60/40/67
700	LSL2-70/30/67	LSL2-70/40/67
800	LSL2-80/30/67	LSL2-80/40/67
900	LSL2-90/30/67	LSL2-90/40/67
1000	LSL2-100/30/67	LSL2-100/40/67
1100	LSL2-110/30/67	LSL2-110/40/67
1200	LSL2-120/30/67	LSL2-120/40/67
1300	LSL2-130/30/67	LSL2-130/40/67
1400	LSL2-140/30/67	LSL2-140/40/67
1500	LSL2-150/30/67	LSL2-150/40/67
1600	LSL2-160/30/67	LSL2-160/40/67
1700	LSL2-170/30/67	LSL2-170/40/67
1800	LSL2-180/30/67	LSL2-180/40/67
1900	LSL2-190/30/67	LSL2-190/40/67
2000	LSL2-200/30/67	LSL2-200/40/67
2100	LSL2-210/30/67	LSL2-210/40/67
2200	LSL2-220/30/67	LSL2-220/40/67
2300	LSL2-230/30/67	LSL2-230/40/67
2400	LSL2-240/30/67	LSL2-240/40/67
2500	LSL2-250/30/67	LSL2-250/40/67
2600	LSL2-260/30/67	LSL2-260/40/67
2700	LSL2-270/30/67	LSL2-270/40/67
2800	LSL2-280/30/67	LSL2-280/40/67
2900	LSL2-290/30/67	LSL2-290/40/67

2 brackets

3 brackets

4 brackets



**AISI 304 combined with other steels**

Code: Eco Steel

Customised equipment is available. Examples on last pages.