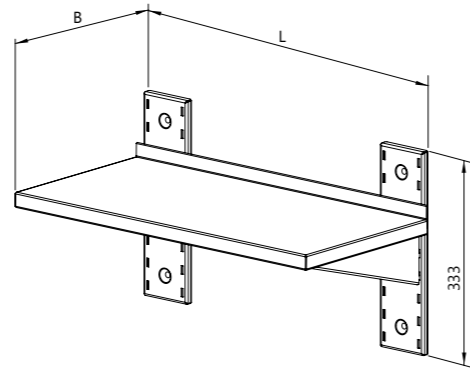
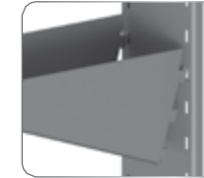


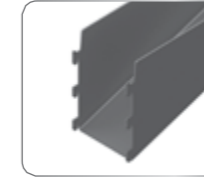
STANDARD FEATURES



EASY TO ASSEMBLE



Easy to change height of the shelf



Heavy duty bracket



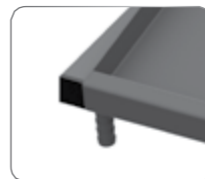
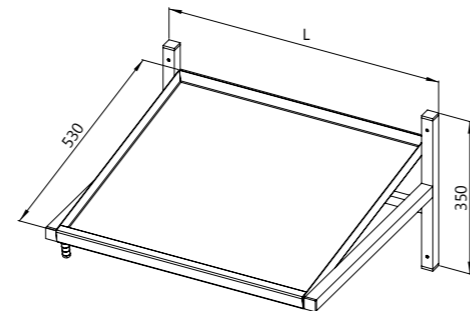
Max loading 50 kg/shelf (uniform layout)

LENGTH L, mm	WIDTH B, mm	
	400 Model	500 Model
500	LSI1-50/40/33	LSI1-50/50/33
600	LSI1-60/40/33	LSI1-60/50/33
700	LSI1-70/40/33	LSI1-70/50/33
800	LSI1-80/40/33	LSI1-80/50/33
900	LSI1-90/40/33	LSI1-90/50/33
1000	LSI1-100/40/33	LSI1-100/50/33
1100	LSI1-110/40/33	LSI1-110/50/33
1200	LSI1-120/40/33	LSI1-120/50/33

Customised products are available. Examples on the last pages.

SHELF FOR DISHWASHER BASKETS

STANDARD FEATURES



Water outlet

LENGTH L, mm	WIDTH B, mm	Quantity of baskets
	530 Model	
600	LSB1-60/53/35	1
1100	LSB1-110/53/35	2
1600	LSB1-160/53/35	3
2100	LSB1-210/53/35	4

Customised equipment is available. Examples on last pages.