



Total Food-Service Solutions

Modular Gas Euro Range NGER 9-60, Oriental and Western Cuisine Cooker with Two Gas Burners

ITEM# _____
 MODEL# _____
 NAME# _____
 S/N# _____



*Due to routine technical improvement, the photograph shown may not represent the latest design of the products.

Oriental Modular Gas Euro Range with Two Gas Burners

NGER 9-60 DUAL FUNCTIONS:
 1. PAN COOKING RING
 2. WOK COOKING RING
 SAFETY THERMOCOUPLE

Short Form Specification

Item No.

Modular Wok Super Range with Double Cooking Zone. Versatile as Open Burner, Pot Cooker, or Wok Open Burner. Designed with only 600 mm depth. Constructed with deep drawn wok with cast iron of pot holder and combined with wok holder adapter. Dust Collection Drawer included below the front panel for hygiene cleaning operation. Compatible installation with others 60 Wok Super Range Series.

Main Features

- Gas Appliance supplied with G20 and G30/G31 components as standard.
- Gas system is equipped by safety device (thermocouple, failure function and gas filter).
- Iron Cast Wok Support to fit variety diameters of Wok Oil collecting drawer provided.
- Dual Functions (Pan Cooking Ring and Wok).
- Unit to be installed free standing.

Construction

- All exterior panels is constructed of Stainless Steel.
- Adjustable ±25 mm Stainless Steel leg.
- Certified IPX4 protection.

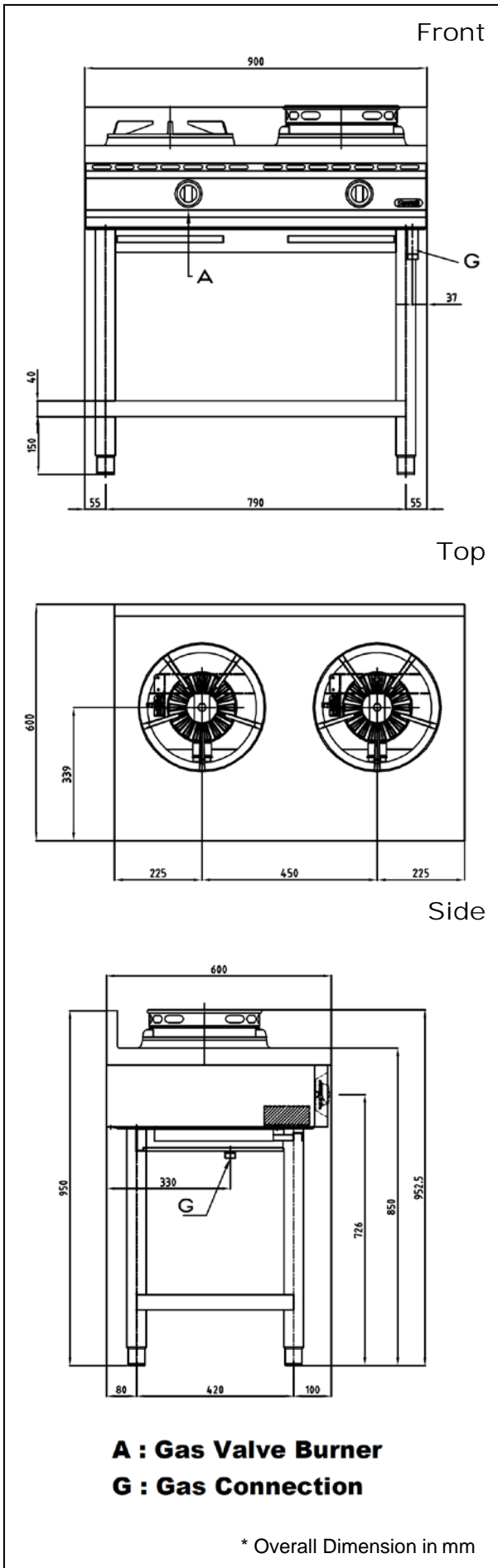
Included Accessories

- Ignition Hand Lighter.
- Wok Holder.

Optional Accessories

- N/A.

APPROVAL: _____



Gas

Gas Consumption (G20):	26 kW (22,360 kCal/h)
Gas Consumption (G30):	23 kW (19,780 kCal/h)
Gas Type Option:	G30/G31, G20
Gas Connection:	¾"
LPG Gas Pressure:	G20: 20mbar G25: 20-25mbar G30/G31: 28-30/37mbar G30/G31: 50mbar

Key Information:

Cooking Surface Wok:	Ø 280 mm
Direct heat emission (G20):	6.50 kW
Direct heat emission (G30):	5.75 kW
Latent heat emission (G20):	2.60 kW
Latent heat emission (G30):	2.30 kW
Steam emission (G20):	3.82 kg /h
Steam emission (G30):	3.38 kg /h
Number of Burners:	2
Working Temperature MIN:	-
Working Temperature MAX:	-
Net Weight:	-
Shipping Height:	-
Shipping Width:	-
Shipping Depth:	-
Shipping Volume:	-

*Missing information may be updated from time to time, please contact our representative to receive the updated data sheets.

Modular Gas Euro Range NGER 9-60, Oriental and Western Cuisine Cooker with Two Gas Burners

The company reserves the right to make modifications to the products without prior notice.
All information correct at time of printing