



Charcoal Oven HJX25M*BC

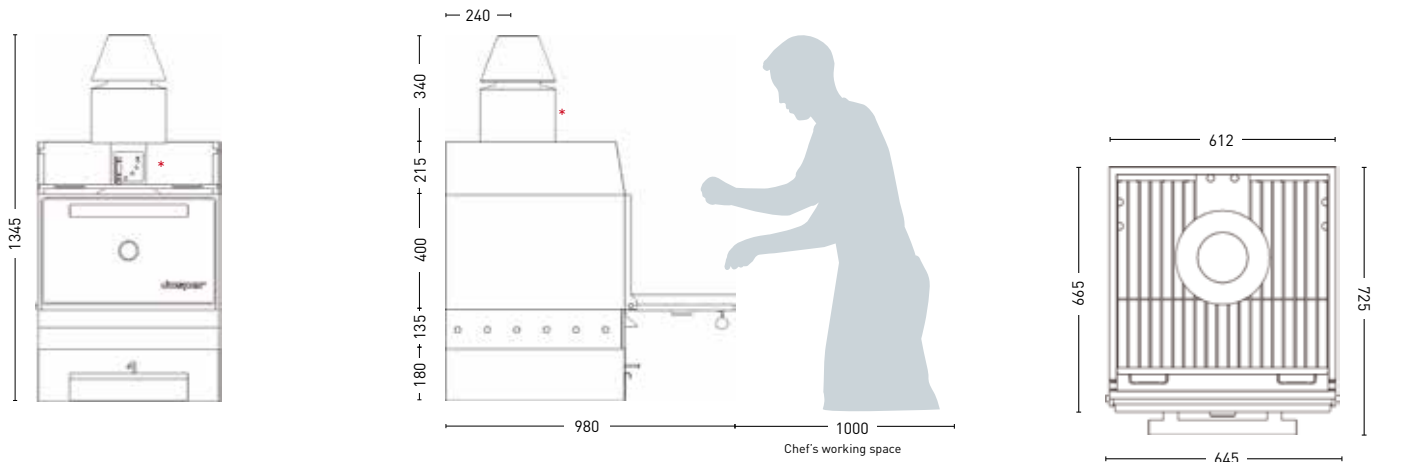
INCLUDED ACCESSORIES

- Smoke outlet vent
- One cooking grill rack
- Charcoal grates
- Josper tongs
- Bristle brush
- Poker
- Ash hatch and handle
- Ash pan

OPTIONAL ACCESSORIES

- Extra cooking grill rack
- Firebreak
- Firebreak's hat
- Cookware⁴
- Below cabine

TECHNICAL DRAWINGS



TECHNICAL INFORMATION

Fire up time ¹	30 min average
Josper charcoal daily consumption	10 to 12 kg average
Performance	9 h
Production per hour ²	60 kg average
Cooking temperature	300 °C to 350 °C
Oven capacity in GN trays (per grill rack)	2 x GN1/2 + 1 x GN1/3
Power equivalence	3 kW
Exhaust rate ³	2800 m ³ /h
Maximum smoke flow	7 g/s

INSTALLATION

Recommended installation height	550 mm from floor level
Clearance with other cooking equipment	100 mm

BUNDLES: SIZES AND WEIGHTS

Sizes bundle 1	760 x 750 x 1065 mm
-	-
-	-
Gross weight bundle 1	173 kg
-	-
-	-

- 1 Please, check our document titled "Fire up and use of the Josper oven".
 - 2 Please, check our "Cookbook".
 - 3 Please, check our document titled "Installation advices of the Josper oven".
 - 4 Please, see our wide range of cookware in our website: www.josper.es
- Ovens' sizes and weights are to be considered with the standard accessories and packing.

A continual improvement process may require us to change specifications without any notice. Revised June 2012.