

Produktserie:

Varenummer: G014

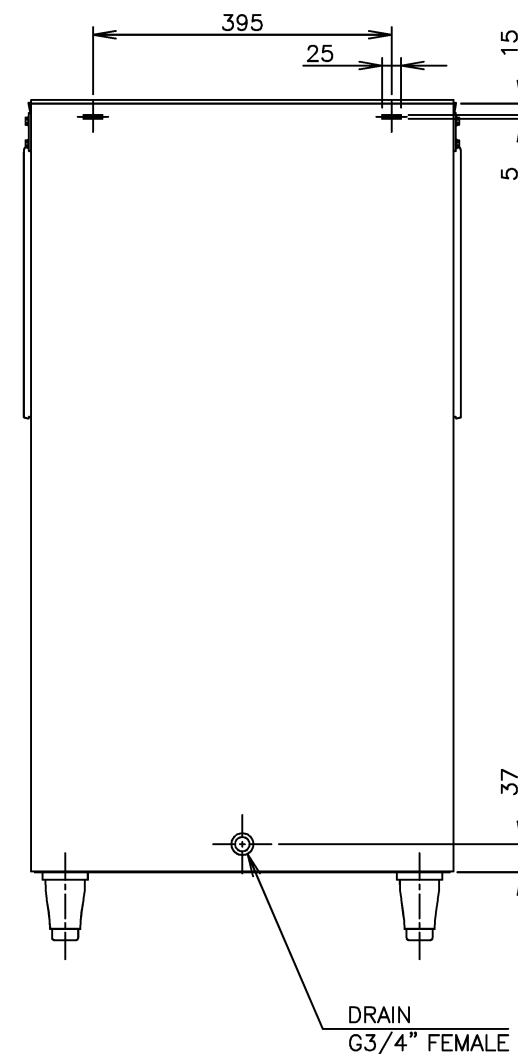
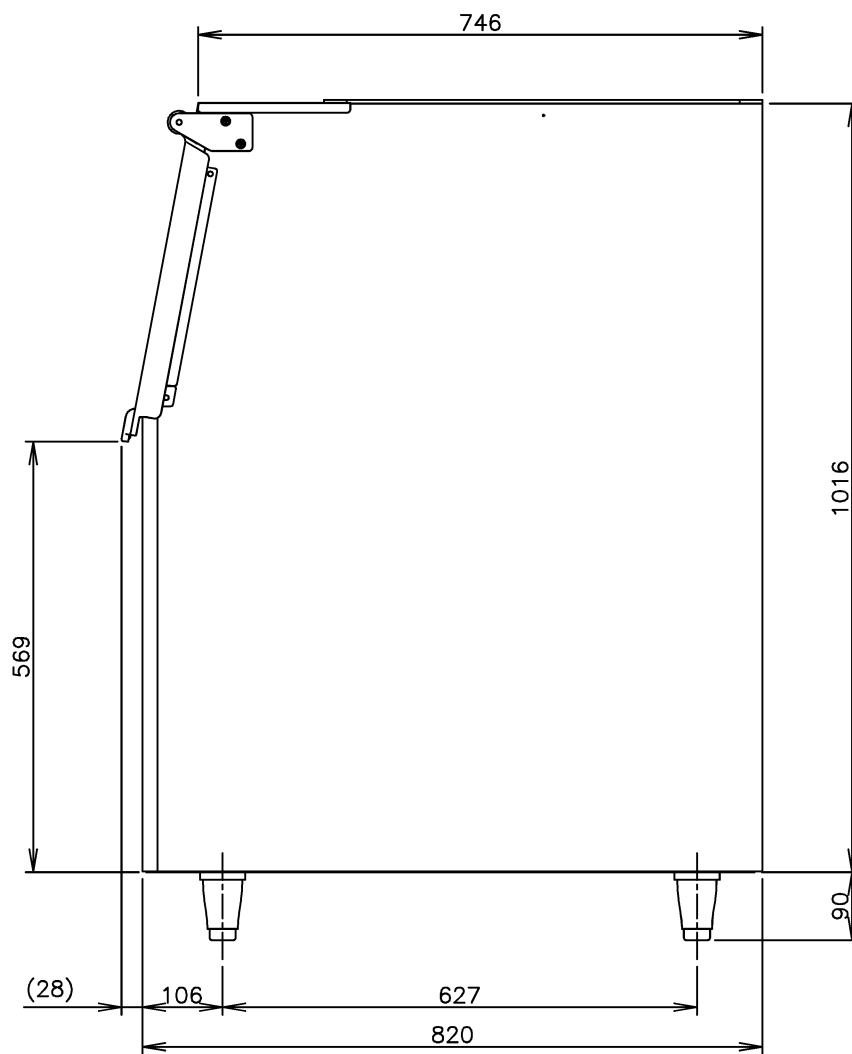
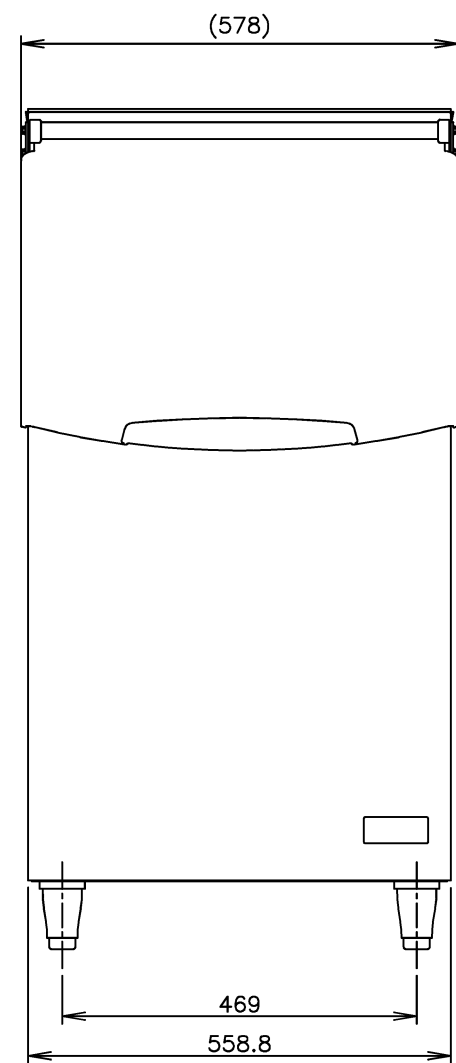
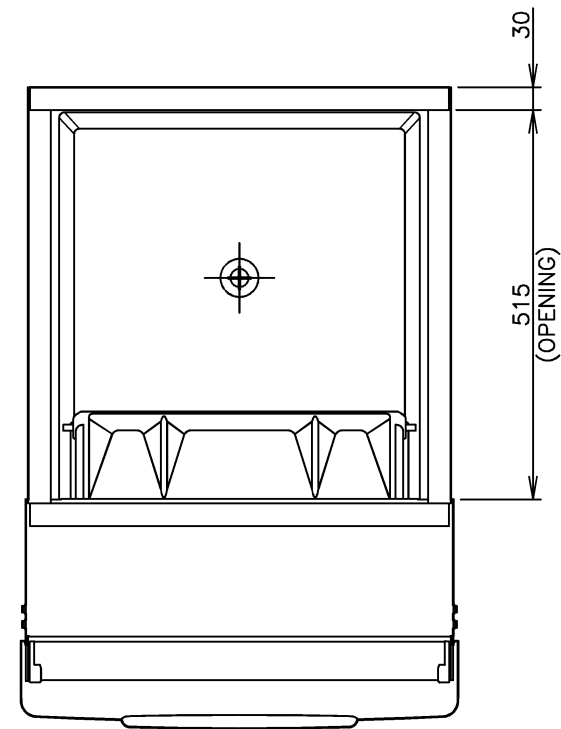
Isbingen B-140SA passer perfekt sammen med Hoshizakis ismaskiner for å sikre rikelige mengder is til ethvert tidspunkt.

- Skumisolasjon sikrer lav smeltehastighet i isbingen.
- Utførelsen i rustfritt stål gir et langvarig attraktivt utseende.
- Enkel å rengjøre med runde kanter for optimal hygiene. Leveres med justerbare bein, opptil 90 mm.

**SPESIFIKASJON**

Produktnavn	Isbinge
Mål B x D x H (mm)	559 x 820 x 1016 (legs add 90 - 120 mm)
Kjølemiddel	n/a

Kapasitet, netto (l)	140
Vekt, netto (kg)	37
Vekt, brutto (kg)	53



ITEM	Hoshizaki Ice Storage Bin
MODEL	B-140SA
STORAGE CAPACITY	Approx. 115kg Maximum 140kg
OUTSIDE DIMENSIONS	558.8mm (W) × 820mm (D) × 1016mm (H)
EXTERIOR	Stainless Steel, Galvanized Steel (Rear), Plastic Door
INTERIOR	Polyethylene
DOOR STYLE	Upward Opening
INSULATION	Polyurethane Foam
CONNECTION-DRAIN	Outlet 3/4" (connected at rear side)
WEIGHT	37kg (Gross 53kg)
INSULATION FOAM BLOWING AGENT	Water Blown
△ PACKAGE	Carton 667mm (W) x 928mm (D) x 1201mm (H)
ACCESSORIES	Scoop, Scoop holder, Leg (4 pcs)

*We reserve the right to make changes in specifications and design without prior notice.

1. Install the ice maker properly in accordance with the instructions on location, water supply/drain connections and electrical connections stated in the instruction and installation manuals provided. Allow 10mm extra space at the installation site to meet any installation requirements (additional spacing is also required for proper air flow and water connections).
2. Product Code: G014

HOSHIZAKI ICE STORAGE BIN B-140SA

APPROVED NISHIO	CHECKED MIZUTANI	DESIGNED MIZUTANI	DRAWN OHASHI	SCALE 1/10	TRIGONOMETRY
NISHIO	TASHIRO	△	2019.05.21	DATE 2019.02.08	DRAWING NO. D24480
APPROVED	DESIGNED	SYMBOL	DATE		SYMBOL △