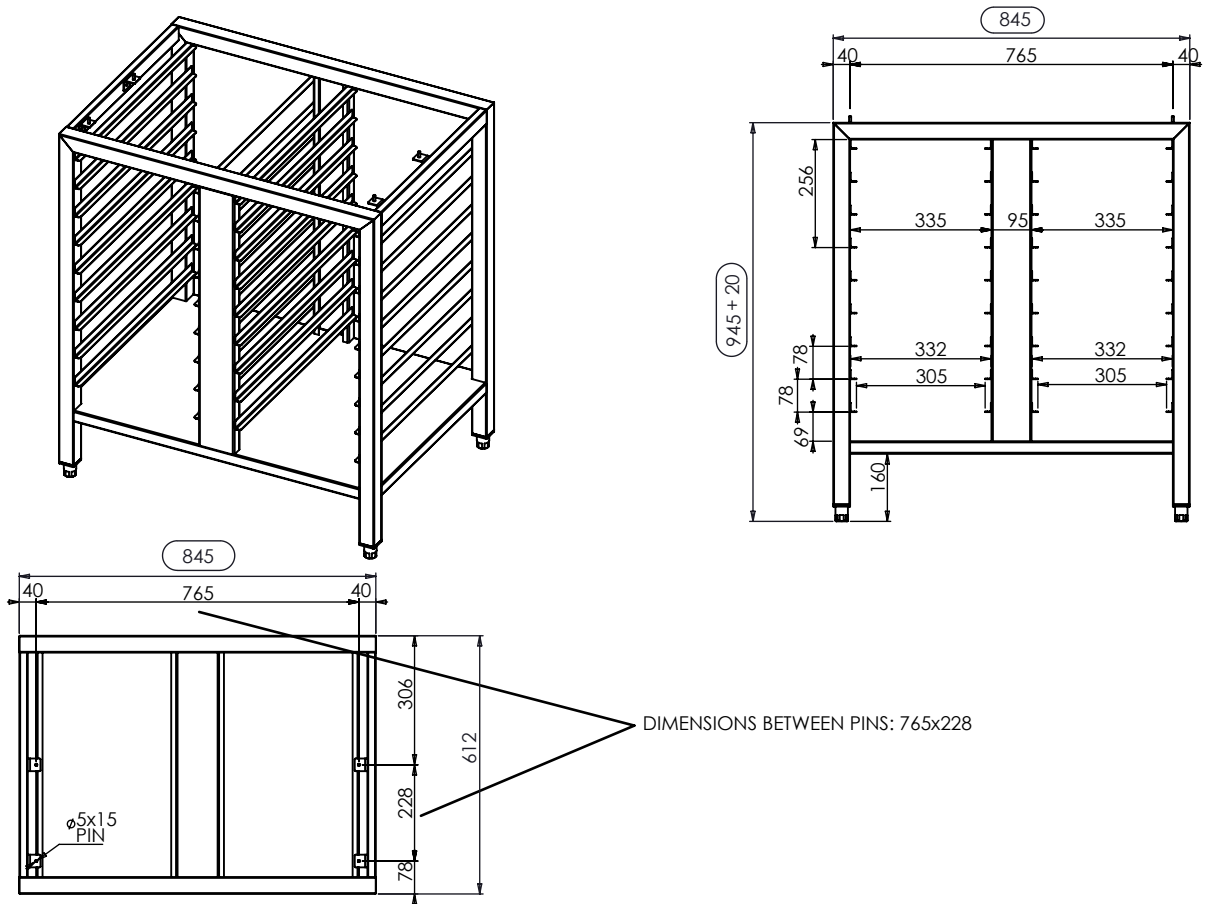


Technical drawing



SPECIFICATION LIST

**MODEL - WIDTH**

WIDTH	845mm
DEPTH	612mm
HEIGHT	945+20mm
TYPE	For Rational