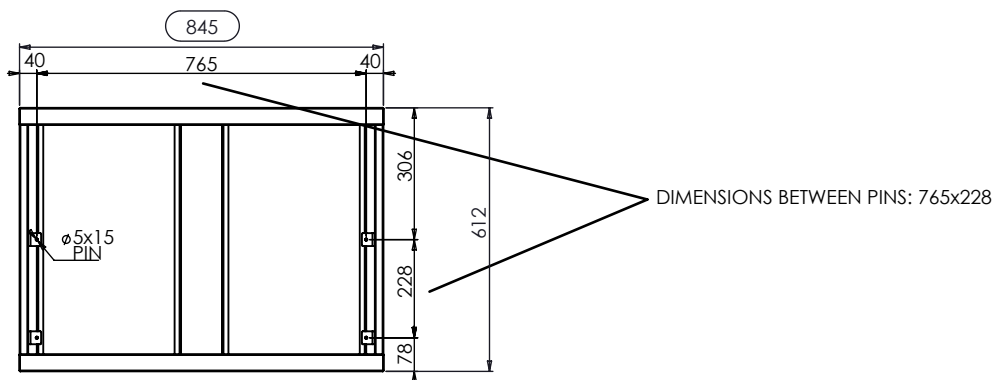
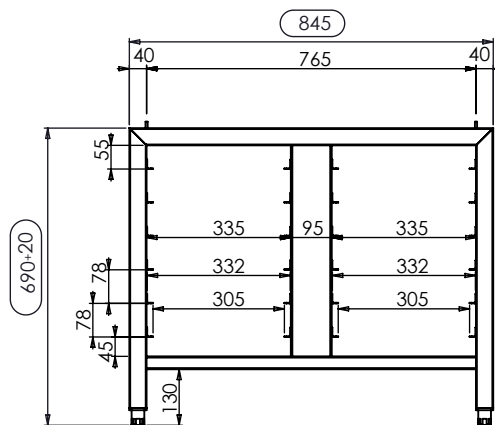
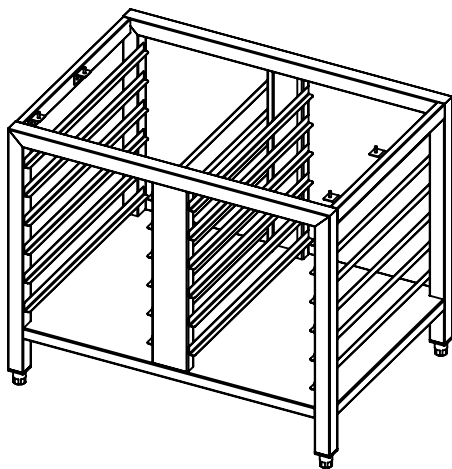


Technical drawing



SPECIFICATION LIST

MODEL - WIDTH

WIDTH	845mm
DEPTH	612mm
HEIGHT	690+20mm
TYPE	For Rational