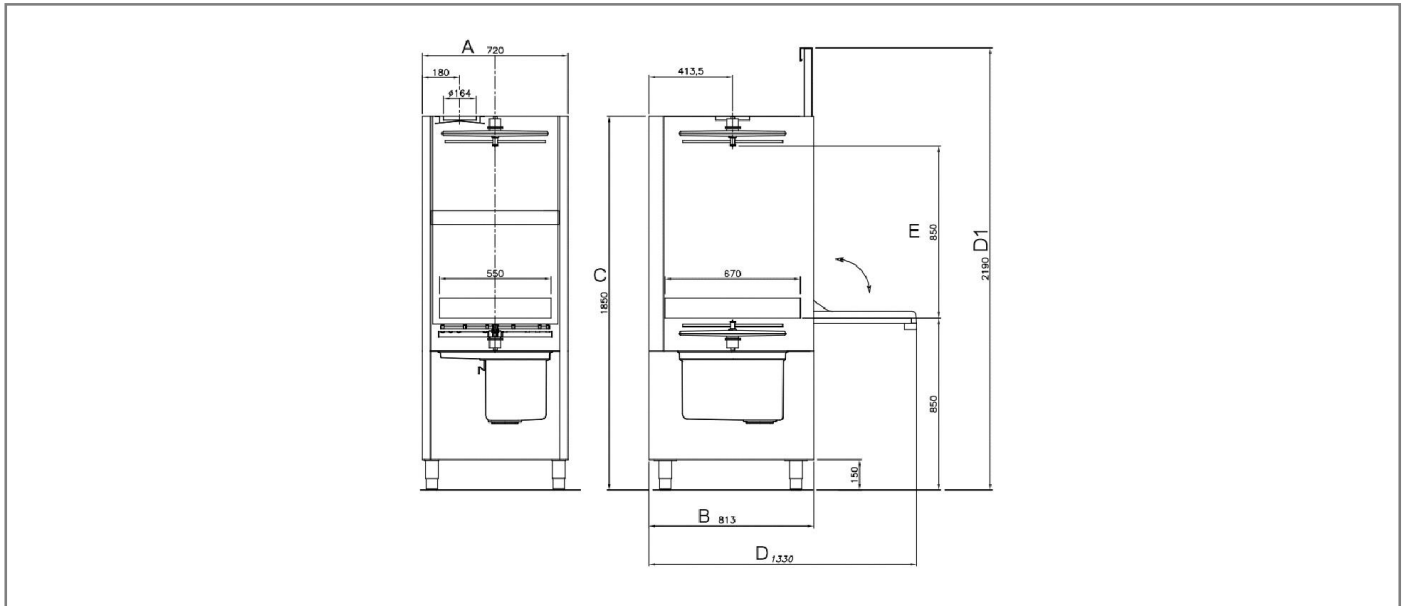


GE50 E - Front loading potwasher



Technical features

External size	720x813x1850 (AxBxC) mm
Overall size	1330x2190 (D) mm
Clearance	850 mm
Rack size	550x660 mm
Tank size	42 l
Rinse water consumption	6 l
Wash pump	1,5 kW
Tank heater element	3 kW
Booster heater element	6 kW
Installed load	7,5 kW
Short cycle	120"
Output racks/h	30
Long cycle	360"
Electrical supply	400V/3N/50 Hz
Noise	67 dB(A)
Weight	150 kg
Control panel	Electromechanical
Wash arm	INOX
Rinse arm	INOX
Detergent injector	Optional
Rinse aid injector	Standard
Sanitizing injector	Optional
Air gap	Standard
Water softener	-
Reverse osmosis	-
Heat recovery unit	-
Drain pump	Optional