



Client _____ Quantity _____
 Project _____ Position _____

Smart 700 lt cabinet

Model: A70/1BE

Cod: A12070600101

Armadio refrigerato Smart 700 litri Plug-In, 1 porta con maniglia in PVC, classe energetica C, classe climatica 5 heavy duty e gas refrigerante ecologico R290. Serratura con chiave, completo di 3 griglie plastificate GN2/1. Range di temperatura -18°-22°C; refrigerazione ventilata. Evaporatore trattato anticorrosione. Struttura monoscocca con isolamento 75 mm. Interno/esterno in acciaio inox AISI 304; schiena esterna, fondo esterno e interno vano tecnico in acciaio galvanizzato/colaminato. Sistema refrigerante sostituibile FSS - Fast Service System - per un service facile e veloce. Predisposto per collegamento a sistema di supervisione remoto.

Technical data

Gross capacity:	601 lt
Temperature range:	-18°-22°C
Refrigerant unit:	Plug-In
Energetic class:	C
Energy efficiency index:	43,6
Annual consumption:	1609 kW/h annum
24h consumption:	4,408 kW/h/24h
Climate class:	5
Cooling gas:	R290
Defrost:	Hot gas
Valve:	Supplied standard with solenoid
Dimensions:	740×815×2085 mm
Packing dimensions:	835×930×2250 mm
Gross weight:	150 Kg
Voltage:	220-240 V - 50 Hz
Total rate:	810 W
Absorbed Current:	3,7 A
Cooling capacity:	453 W*
*:	Evap. -30°C Cond. +55°C

Features

Standard equipment:	3 slides for GN2/1 shelves, 3 plastic coated GN2/1 shelves, lock with key
Control:	Electronic, display flush with the panel
Doors:	1 door, self-closing with a 105° stop, right hinged
Door gasket:	Magnetic, triple chamber and easily replaceable
Insulation:	75 mm thickness - CFC/HCFC free
Exterior/interior finishing:	Exterior and interior AISI 304 stainless steel. Back, base and internal technical compartment in galvanized/ colaminated steel.
Inner corners:	Rounded for easy cleaning and ensuring maximum hygiene
Handle:	In PVC
Racks and slides:	Stainless steel AISI 304
Feets:	Stainless steel AISI 304, adjustable h 100-150 mm
Cosmo:	Ready for connection to Cosmo Hub

Accessories and variants

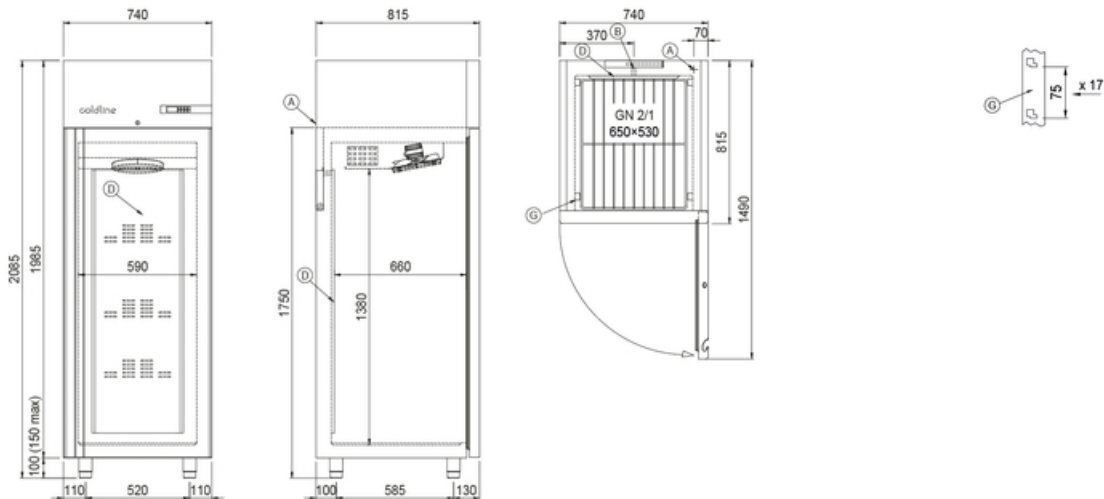
Power supply frequency 60Hz
 Other special voltage
 Half doors Smart
 Frame for fixed masonry plinth
 Foot pedal kit
 4 Swivel and brake castors h 128 mm
 1 door LED lighting
 Stainless steel shelf GN2/1
 Plastic coated shelf GN2/1
 Pair of type C slides 605 mm
 Serial interface, RS485 cable
 Cosmo connection kit

COSMO - wi-fi control

Cosmo is the wi-fi technology that allow to connect and monitor all Coldline appliances. Connect Smart cabinets to a Cosmo hub (MODI, VISION or LEVTRONIC) and from the app you can check the operating conditions of each machine and receive alerts in case of abnormal functioning.

*The installation requires a kit for the replacement of the racks

Technical draw



A: Power supply cable outlet

D: Airflow conveyor

G: Racks pitch