



ROBATA FLAME GRILL™

The most innovative grill on the market.

- *Instant gas-fired cooking.*
- *Even heat distribution system.*
- *Can be used with charcoal or lump wood for extra aroma.*
- *3 tier cooking for searing, cooking and resting.*
- *Freestanding, countersunk and table-mounted versions.*
- *Custom made to your specifications.*
- *Designed for easy maintenance and cleaning.*
- *Natural gas, LPG or pure solid fuel.*



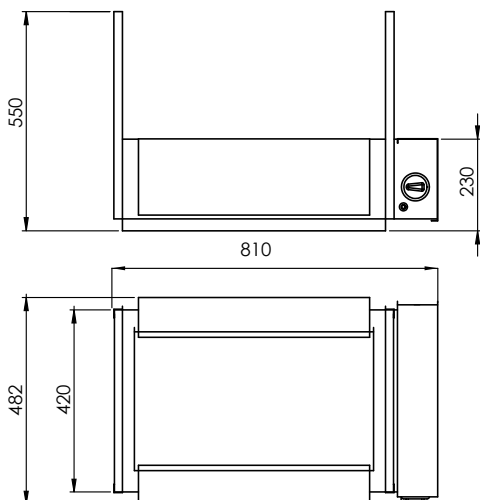
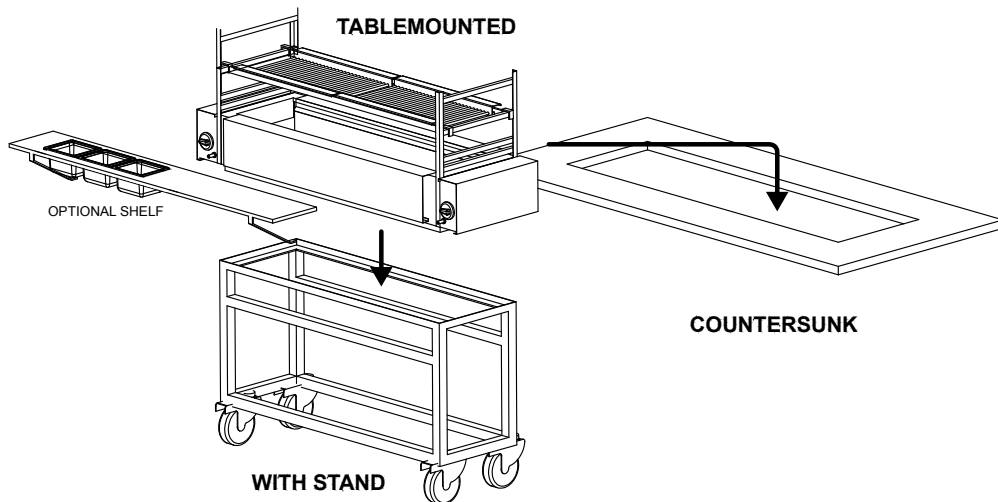
The Clay Oven Co. Ltd.

163 Dukes Road, London W3 0SL

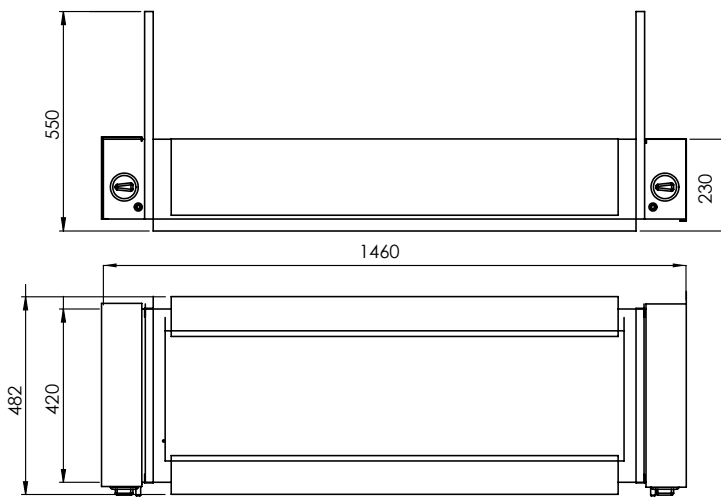
Tel: +44 (0) 208 896 2696 Fax: +44 (0) 208 896 2686

www.clayovens.com





STANDARD



LARGE



TECHNICAL DATA

Heat Output:

Single Unit

High Setting 26.5kw / 86,000 Btu (net)

Low Setting 10.4kw / 33,000 Btu (net)

Gas Supply Pressure 20mbar / 7inch

Gas rate 2.75m³ / hr

Installation Requirements:

Recommended to install under vented hood.

Please Note:

Continuous product improvement is a policy of the Clay Oven Co. Ltd. therefore specification and design are subject to change without notice.



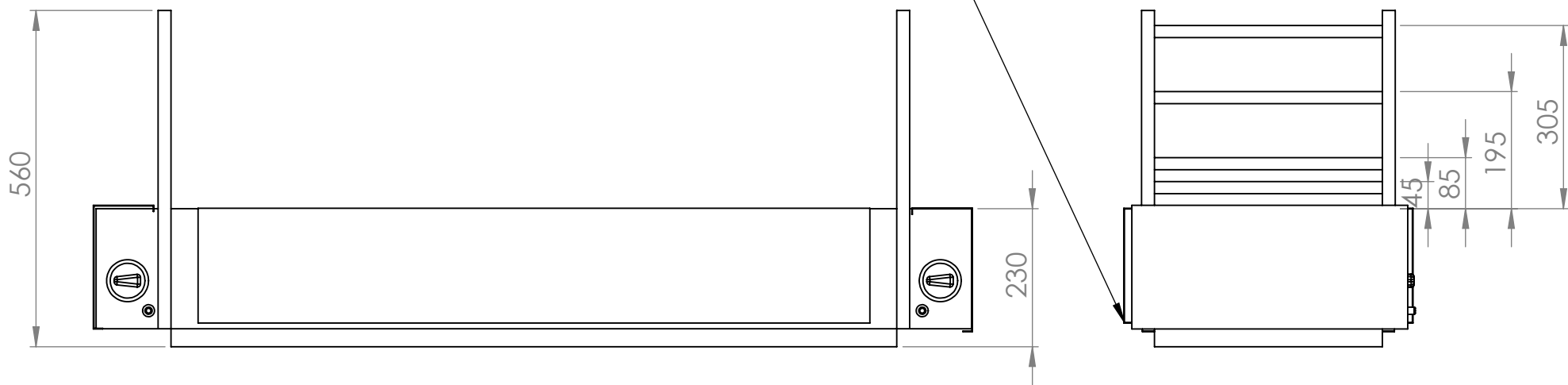
The Clay Oven Co. Ltd.

163 Dukes Road, London W3 OSL

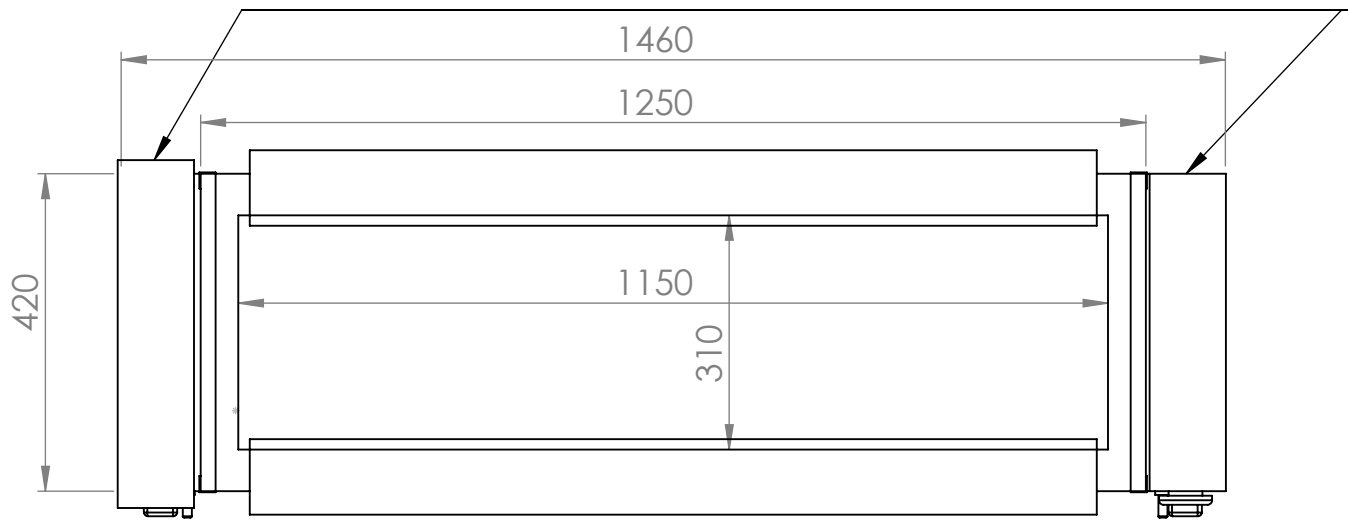
Tel: +44 (0) 208 896 2696 Fax: +44 (0) 208 896 2686

www.clayovens.com

2 x 1/2" Gas connection



1/2" Gas connection
 Burner rating:
 High Setting 53kw / 170,000Btu(net)
 Installation under approved canopy
 required
 (check local codes and regulations)



DO NOT SCALE DRAWING		REVISION
THE CLAYOVEN COMPANY		
TITLE:		
DWG NO. robata tablemounted large		A4
SCALE:1:10	SHEET 1 OF 1	