

Fact Sheet

BIZERBA

VSP F

This fully automatic premium class vertical slicer ensures maximum hygiene and productivity thanks to touchless depositing and automatic carriage drive. SmarterSlicing technology simplifies all activities related to sharpening, cleaning and maintenance and thus maximizes service life and performance of the VSP F. An intuitive operating concept with touch screen allows fast workflows at the deli counter also when slicing large quantities.



More information
High performance
with a wide range of
solutions and options.

Specifications	Facts	Details	
Dimensions			
Outer dimensions L x W x H	627 x 711 x 551 mm	7", standard	
	627 x 815 x 627 mm	10", model with portion scale	
Footprint L1 x W1	516 x 433 mm	7", standard	
	423 x 412 mm	10", model with portion scale	
Work area L2 x W2 x H2	680 x 826 x 551 mm	7", standard	
	746 x 885 x 627 mm	10", model with portion scale	
Electrical data			
Power consumption	100-120 V; 50/60 Hz; 1.9-2.3 A	1-phase alternating current with Emotion®	
	220-240 V; 50/60 Hz; 1.0 A	1-phase alternating current with Emotion®	
IP rating	IP33		
Performance data			
Product size			
Quadratic W x H	240 x 175 mm	With depositing system	
Round Ø	180 mm		
Quadratic W x H	260 x 175 mm	Without depositing system	
Round Ø	225 mm		
Blade Ø	330 mm		
Blade speed	160-300 rpm	Adjustable via HMI	
Blade alignment	0° inclination		
Slice thickness	0-24 mm*	Without depositing system	*Deposit quality depends on product temperature, product properties and blade sharpness
	0.5-8 mm*	With depositing system	
	0-3 mm*	Fine adjustment	
Slicing performance	Depending on depositing type and product		
Carriage angle	0°		
Housing material	Anodized aluminum Bizerba Ceraclean® Stainless steel Plastics		
Weight			
Machine weight	approx. 75 kg		
Packaging data			
Dimensions L x W x H	860 x 830 x 780 mm		
Packaging weight	approx. 95 kg		

Options**Facts****Details****Integrated portion scale**

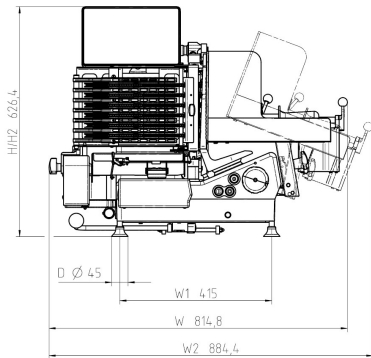
0-3,000 g

Weighing range

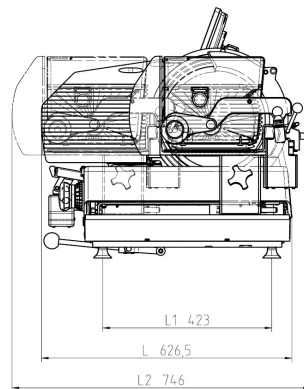
2 g

Interval

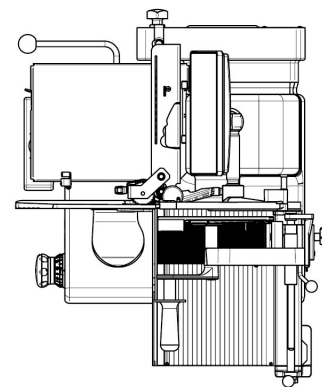
Info graphics

Symbols**Dimensional drawings**

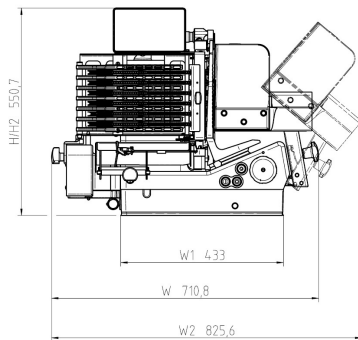
VSP F 10" display front view



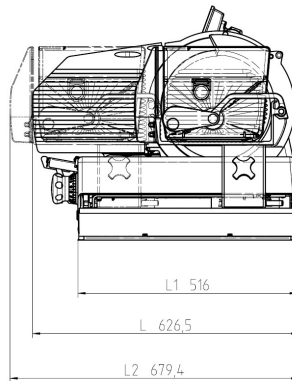
VSP F 10" display side view



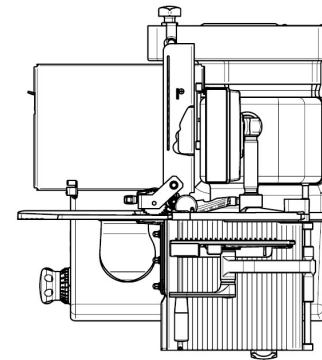
VSP F 10" display top view



VSP F 7" display front view



VSP F 7" display side view

VSP F 7" display top view

Bizerba SE & Co. KGWilhelm-Kraut-Straße 65
72336 BalingenPhone: +49 7433 12-0
Fax: +49 7433 12-2696
marketing@bizerba.comwww.bizerba.com