



griddles



cm² 5.300 (mm 796 x 667)



230V 3 50/60 Hz



TOT. kW 11,4



kg 109

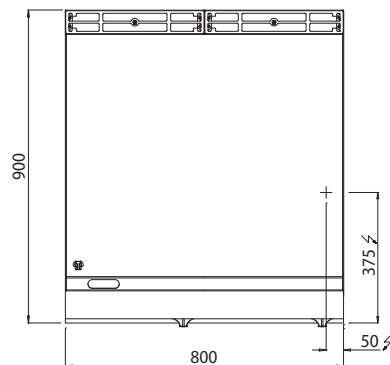
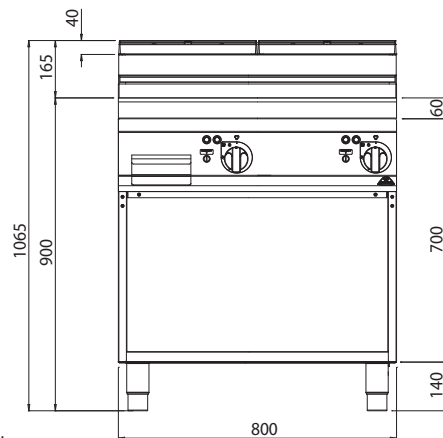


OPTIONAL

V3/B VOLTS 220 - 240-3

2P 400 2 PORTE 2 DOORS - 2 PORTES - ÜREN

E	connessione elettrica - electric connection branchement électrique - Elektrischer Anschluss	230V 3	kW 11,4
---	--	--------	---------



TECHNICAL AND FUNCTIONAL FEATURES

Worktop, front and side panels made of AISI 304 stainless steel. Inside made of stainless steel. Incoloy stainless steel resistances positioned below the cooking plate. Thermostatic control and safety thermostat with manual restart. Temperature regulation from 50° C to 270° C. Power indicator and temperature light. Smooth plate in thick satin finish steel occupying the entire worktop surface with a flush splashguard. Two zones with separate controls for an independent and perfect regulation of temperature. Slightly inclined cooking surface with a largely sized drain hole and conveyor to a proper container. Large compartment completely in steel.