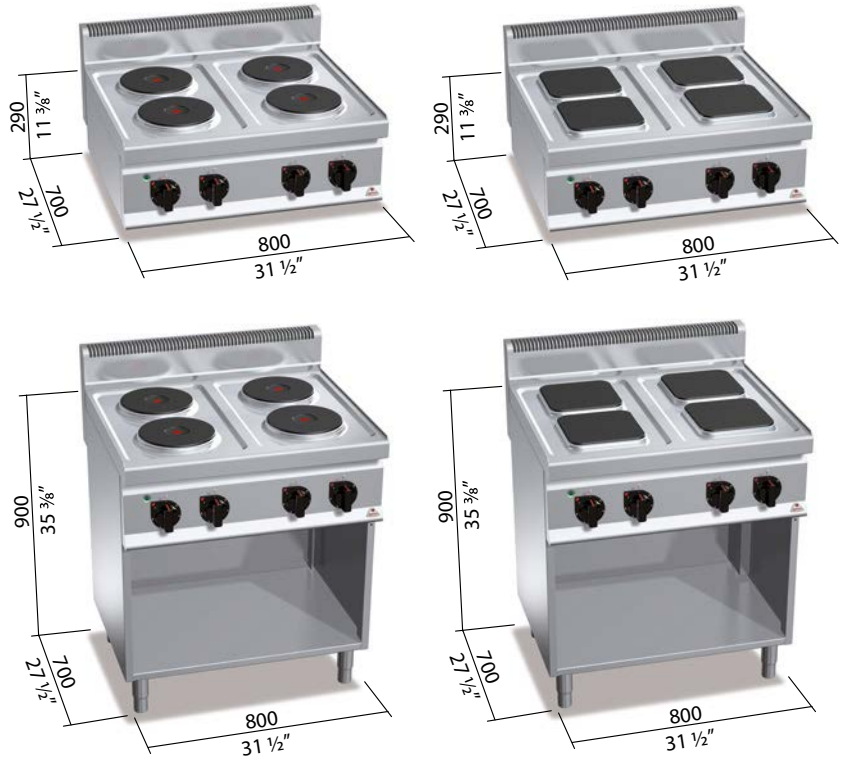


Mod. E7PQ4M
Cod. 18722600V3-A

	n.	4
	Ø mm	220
	kW	2,6
	n.	4
	mm	220x220
	kW	2,6
	230V 3	
	TOT. kW	10,4



OPTIONAL
2P 400 Doors with pressed handle of 20/ 10 thickness for cabinet versions

V3/B Volts 220 - 240-3

E connessione elettrica / electric connection /
branchement électrique / Elektrischer Anschluss 230V 3 kW 10,4

TECHNICAL AND FUNCTIONAL FEATURES

Worktop and front panels of AISI 304 stainless steel. One piece pressed waterproof worktop. Cast iron plates with safety thermostat and 6-position selector that activates 6 different concentric power zones. Voltage light and power light. Adjustable feet (cabinet version).

