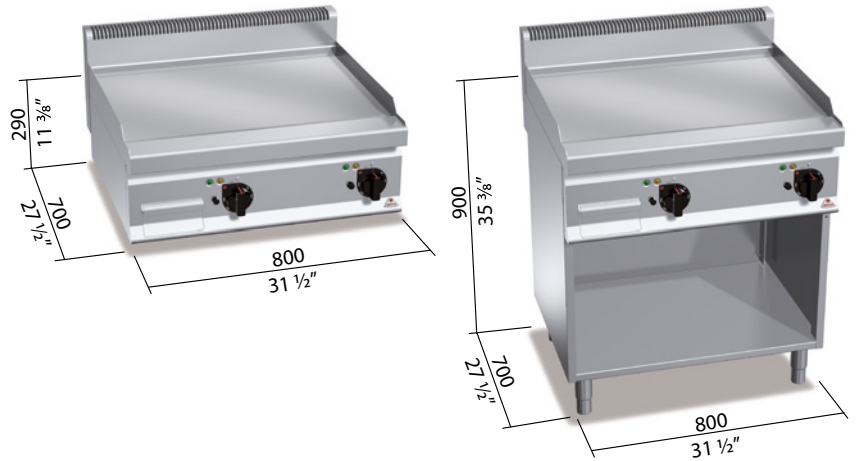




cm² 3.975 (mm 795x500)

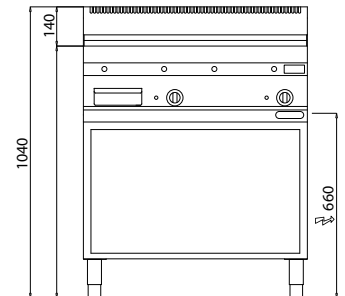
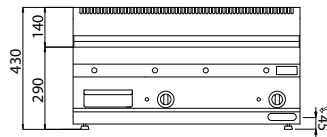
230V 3

TOT. kW 9,6



OPTIONAL
 2P 400 Doors with pressed handle of 20/ 10 thickness for cabinet versions /
 Türen mit formgestanztem Griff Stärke 20/10 für Modelle mit Möbel
 V3B Volts 220 - 240-3

E	connessione elettrica / electric connection / branchement électrique / Elektrischer Anschluss	230V 3	kW 9,6
---	--	--------	--------



TECHNICAL AND FUNCTIONAL FEATURES

Worktop and front panels from AISI 304 stainless steel. Incoloy steel heating elements placed under the cooking plate. Thermostatic control and safety thermostat with manual restart. Temperature regulation from 50 to 270 °C. Power indicator and temperature light. Smooth satin finish steel plate occupying the entire worktop surface with splash guard. Two zones with separate controls for an independent and perfect regulation of temperature. Slightly inclined cooking surface with a largely sized drain hole and a line to the drain pan. Adjustable feet (cabinet version).

