



cm² | 1.442 (mm310x465)



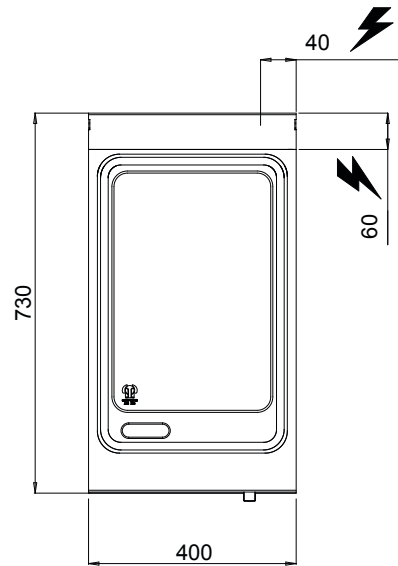
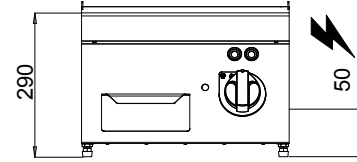
V | 230V 3



TOT. Kw | 4,8



Kg | 40



OPTIONAL

7PSFT40 PARASPRUZZI / SPLASHGUARD / ECRAN ANTI-ÉCLABOUSSURES / SPRITZSCHUTZ

TPTO TAPPO IN TEFLON / TEFLON STOPPER / BOUCHON DE TEFLON / TEFLONPFROPFEN



TECHNICAL AND FUNCTIONAL FEATURES

Worktop in AISI 304 stainless steel with a 20/10 thickness, front and side panels in AISI 304 stainless steel, Scotch Brite finishing. Incoloy steel heating elements positioned beneath the cooking plate. Thermostatic control and a safety thermostat with manual restart. Temperature regulation from 50 °C to 300 °C.

Power indicator and temperature light. Very thick and smooth plate with splash guard. Dual-component cooking plate comprising of a steel plate to optimize cooking evenness and an upper coat in AISI 316 stainless steel with bright finishing; easy to clean and low level of heat irradiation to guarantee higher comfort to the operator.

Large drain hole and a line to the watertight drain pan.