



cm<sup>2</sup> | 3.500 (mm700x500)



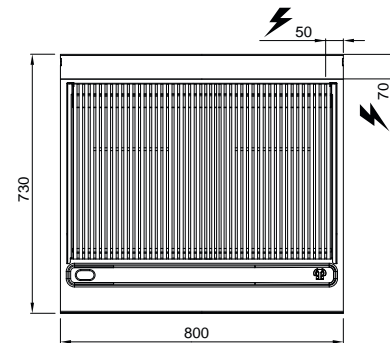
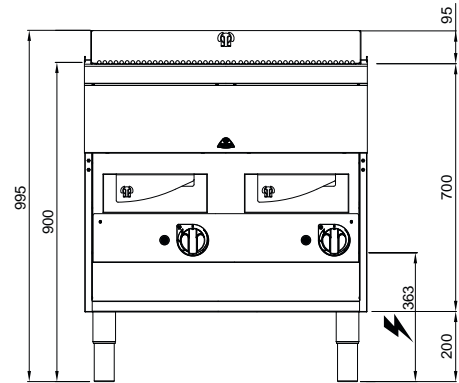
V | 230V 3



Kw | 13,2



Kg | 75



OPTIONAL  
2P 400 S700 2 PORTE / 2 DOORS / 2 PORTES / 2 TÜREN



CARATTERISTICHE TECNICHE E FUNZIONALI

inox AISI 304, con finitura Scotch Brite.

TECHNICAL AND FUNCTIONAL FEATURES

Worktop in AISI 304 stainless steel of 20/10 thickness, front and side panels in AISI 304 stainless steel, Scotch Brite finishing. Pressed oil collecting tray. Power regulation thermostat. Signalization lights. High power Incoloy stainless steel resistances. Large cooking surface with easy removable burnished steel grid of circular section. Easy removable components for facilitating maintenance and cleaning operations. Large removable stainless steel tray for collecting cooking fat and keeping water.