



# HANDBOOK Ice Storage Bins

rev. 004a

**SB**  
**UBH**  
**SIS**

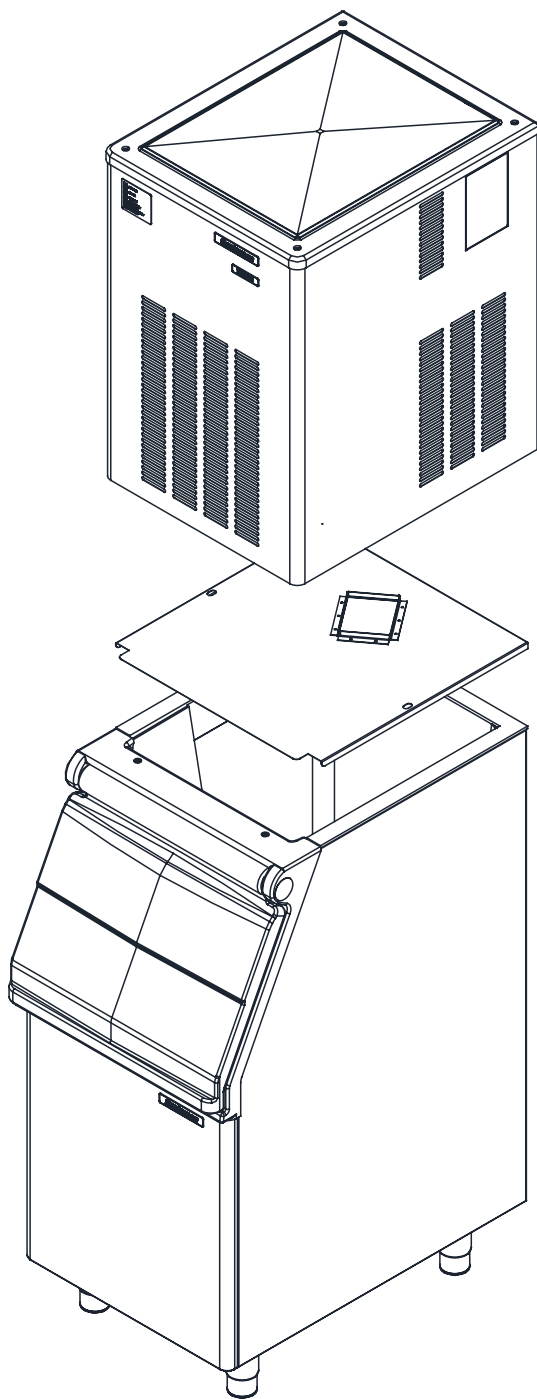


(Blank)



# Slope Bins Series

Coperchi Depositi - Bins Covers Bins





<b>Storage Capacity</b>	<b>SB193</b> 95762103/0	<b>SB322</b> 95762203/0	<b>SB393</b> 95762903/0	<b>SB530</b> 95763003/0	<b>SB550</b> 95764203/0	<b>SB948</b> 95764803/0	<b>SB1025</b> 95765203/0
-------------------------	----------------------------	----------------------------	----------------------------	----------------------------	----------------------------	----------------------------	-----------------------------

<b>Internal Volume</b>	0.264 m <sup>3</sup>	0.34 m <sup>3</sup>	0.368 m <sup>3</sup>	0.496 m <sup>3</sup>	0.513 m <sup>3</sup>	0.83 m <sup>3</sup>	0.97 m <sup>3</sup>
<b>Max Ice Capacity (Application)</b>	129 kg	168 kg	181 kg	243 kg	252 kg	406 kg	478 kg
<b>Max Ice Capacity (AHRI)</b>	101 kg	132 kg	141 kg	191 kg	197 kg	319 kg	375 kg

(Application) capacity is calculated on 90% of total volume in the cubic feet x 34 lb/ft<sup>3</sup> - 545 kg/m<sup>3</sup>  
(AHRI) capacity is calculated on 80% of total volume in the cubic feet x 30 lb/ft<sup>3</sup> - 481 kg/m<sup>3</sup>

<b>Dimensions</b>	<b>22"</b>	<b>22"</b>	<b>30"</b>	<b>30"</b>	<b>42"</b>	<b>48"</b>	<b>52"</b>
-------------------	------------	------------	------------	------------	------------	------------	------------

<b>Outside Width</b>	568 mm	569 mm	769 mm	771 mm	1083 mm	1238 mm	1332 mm
<b>Outside height with legs (no legs)</b>	1048 (898) mm	1271(1121) mm	1048(898) mm	1270(1121) mm	968 (818) mm	1272(1122) mm	1272(1122) mm
<b>Total Depth (storage depth)</b>	845(795) mm	869(821) mm	845 (796) mm	865(821) mm	824 (775) mm	869(821) mm	871(821) mm
<b>Max Depth</b>	1033 mm	1154 mm	1034 mm	1154 mm	918 mm	1154 mm	1156 mm
<b>Net Weight/Gross Weight</b>	36 kg / 50 kg	48 kg / 62 kg	43 kg / 56 kg	55 kg / 70 kg	48 kg / 63 kg	73 kg / 97 kg	77 kg / 100 kg
<b>Shipment dim. WxDxH (mm)</b>	620 x 875 x h 1050	620 x 940 x h 1310	822 x 885 x h 1050	830 x 950 x h 1310	1140 x 910 x h 960	1300 x 940 x h 1310	1395 x 940 x h 1310

<b>Simag (grey)</b>	R100 95772103/0	R130 95772203/0	R150 95772903/0	R190 95773003/0	R250 95774203/0	R300 95774803/0	R400 95775203/0
---------------------	--------------------	--------------------	--------------------	--------------------	--------------------	--------------------	--------------------

<b>Icematic (blue)</b>	D105 95782103/0	D155 95782103/0	D205 95782903/0	D255 95783003/0	D305 95784203/0	D405 95784803/0	D505 95785203/0
------------------------	--------------------	--------------------	--------------------	--------------------	--------------------	--------------------	--------------------

<b>Joly Ice (grey)</b>	JB105 95212103/0	---	JB205 95212903/0	JB255 95213003/0	JB305 95214203/0	JB405 95214803/0	---
------------------------	---------------------	-----	---------------------	---------------------	---------------------	---------------------	-----

<b>Foster (black)</b>	SB105 95662103/0	---	SB205 95662903/0	---	SB305 95664203/0	---	---
-----------------------	---------------------	-----	---------------------	-----	---------------------	-----	-----

<b>Total Line (grey)</b>	S105 95182103/0	---	S205 95182903/0	---	S305 95184203/0	---	---
--------------------------	--------------------	-----	--------------------	-----	--------------------	-----	-----

<b>Ice Machines</b>	N132 M N192 M SF500	F120 F200 SF300	N132 M N202 M N402 M	N192 M N302 M N502 M SF500	F120 F200 SF300	N132 M N202 M N402 M SF500	N192 M N302 M N502 M SF1000	F120 F200 SF300	N132 M N202 M N402 M SF500	N192 M N302 M N502 M SF1000
---------------------	---------------------------	-----------------------	----------------------------	-------------------------------------	-----------------------	-------------------------------------	--------------------------------------	-----------------------	-------------------------------------	--------------------------------------

**Drawings**

<b>SB193</b>	<b>SB322</b>	<b>SB393</b>	<b>SB530</b>	<b>SB550</b>	<b>SB948</b>	<b>SB1025</b>
--------------	--------------	--------------	--------------	--------------	--------------	---------------



# Codifica Coperchi Depositi - Encoding Bins Covers

**CBT 22 EF SD**

**A**

**B**

**C**

**D**

**A**

Denominazione famiglia coperchi  
Covers family name

**B**

Larghezza in pollici del deposito che utilizza il coperchio  
Width in inches of the storage that uses the cover

**C**

Tipo di macchina ghiaccio: Modulari Europee (EM), Flakers Europei (EF), Modulari Americane (AM), Modulari e Flakers Europei da 48" e 52" (FM), Modulari Cubetti Gourmet (MC), , Modulari Americane ed Europee (EAM)

Ice machine type: European Modular ice machine (EM), European Flakers (EF) United states of America Modular ice machine (AM), European Modular ice machine e Flaker 48" and 52" (FM), Modular Gourmet Cube (MC), United states of America and Europe Modular ice machine (EAM)

**D**

Posizione dello scarico : Scarico centrale (CD), Scarico laterale (SD)  
Ice discharge position: Central discharge (CD), Lateral discharge (SD)

	22"	30"	42"	48"	52"	48"	60"	72"	34"	34"	68"
code	95762103/0	95762903/0	95764203/0	95764803/0	95765203/0	95762003/0	95762503/0	95762603/0	95761003/0	95761003/0	95761503/0
Model (Scotsman)	<b>B120</b> SB193	<b>SB393</b> SB322	<b>SB550</b> SB550	<b>B842</b> SB948	<b>SB1025</b> SB1025	<b>UBH1100</b> UBH1100	<b>UBH1600</b> UBH1600	<b>UBH2250</b> UBH2250	<b>SIS700</b> SIS700	<b>SIS300</b> SIS300	<b>SIS1350</b> SIS1350
code	95772103/0	95772903/0	95774203/0	95774803/0	95775203/0				95771003/0	95770503/0	95771503/0
Model (Simag)	<b>R100</b> R100	<b>R150</b> R150	<b>R250</b> R250	<b>R300</b> R300	<b>R400</b> R400				<b>RC300</b> RC300	<b>RC200</b> RC200	<b>RC600</b> RC600
code	95782103/0	95782203/0	95782303/0	95784803/0	95785203/0	95782503/0	95782503/0	95782603/0	95781003/0	95780503/0	95781503/0
Model (Icematic)	<b>D105</b> D105	<b>D205</b> D205	<b>D305</b> D305	<b>D405</b> D405	<b>D505</b> D505	<b>UD500</b> UD500	<b>UD700</b> UD700	<b>UD1000</b> UD1000	<b>DR320</b> DR320	<b>DR140</b> DR140	<b>DR620</b> DR620
max ice capacity (Appl.)	<b>442</b>	<b>181</b>	<b>252</b>	<b>353</b>	<b>478</b>	<b>553</b>	<b>812</b>	<b>1068</b>	<b>318 + 73</b>	<b>137+73</b>	<b>613+73+73</b>
support area L x P	<b>1678 x 770</b>	<b>769 x 620</b>	<b>1083 x 565</b>	<b>1080 X 680</b>	<b>1320 x 640</b>	<b>1220 x 880</b>	<b>1524 x 880</b>	<b>1828 x 1220</b>	<b>885 x 1025</b>	<b>885 x 1025</b>	<b>1753 x 1025</b>
Dimensions LxPxH	1678x1069xH892	568x845xH1048	569x865xH1271	1080x865xH1270	1320x865xH1270	1220x1125xH1427	1524x1125xH1731	1828x1468xH1292	885x1267xH1803	884x1025xH1343	885x1267xH1803
<b>MC16 SHORT</b> (772 x 608 x H711)		772x845xH1756	1080x850xH1674 CBT16								
<b>MC46</b> (1074x 534 xH874)			1080x850xH1837		1225x865xH2144 CBT48MCD	1220x1125xH2304	1520x1125xH2304				
<b>MC1210</b> (1677 x 775 x H810)	1678x1069xH1702										
<b>MV300-306-426-430</b> (560 x 620 x H 575-H660 )	560x841xH1705	762x845xH1705 CBT30EMCD (EX KBT123)	762x845xH1705 CBT30EMCD (EX KBT123)								
<b>P-MV456</b> <b>MV450-456-460</b> (760 x 620 x H 575)		762x845xH1620	1080x850xH1538 CBT42EMCD (EX KBT253) << >>	KBT MVB842	1225x865xH1845 CBT48EMCD	1220x1125xH2005	1520x1125xH2005				
<b>P-MV606</b> <b>MV600-606</b> (760 x 620 x H 575)		762x845xH1620	1080x850xH1688 CBT42EMCD (EX KBT253) << >>	KBT MVB842	1225x865xH1845 CBT48EMCD	1220x1125xH2005	1520x1125xH2005				
<b>P-MV806</b> <b>MV800-806</b> (760 x 620 x H 725)		762x845xH1770	1080x850xH1688 CBT42EMCD (EX KBT253) << >>	KBT MVB842	1225x865xH1995 CBT48EMCD	1220x1125xH2155	1520x1125xH2155				
<b>P-MV1006</b> <b>MV1000-1006</b> (760 x 620 x H 725)		762x845xH1770	1080x850xH1688 CBT42EMCD (EX KBT253) << >>	KBT MVB842	1225x865xH1995 CBT48EMCD	1220x1125xH2155	1520x1125xH2155				
<b>C0322-C0522 Prodigy</b> (560 x 610 x H584)		762x845xH1632 CBT30/52AMCD									
<b>C0330 - C0530 Prodigy</b> (760 x 610 x H584)		762x845xH1629		KBT29	132x865xH1854 CBT52EMCD	1220x1125xH2014					
<b>C0630 Prodigy</b> (760 x 610 x H584)		762x845xH1629		KBT29	1320x865xH1854 CBT52EMCD	1220x1125xH2014					
<b>C0830 Prodigy</b> (760 x 610 x H736)		762x845xH1781		KBT29	1320x865xH2006 CBT52EMCD						

		22"	30"	42"	48"	52"	48"	48"	60"	72"	34"	34"	68"
code		95120003/0	95762903/0	95764203/0	95764803/0	95765203/0	95762003/0	95762503/0	95762603/0	95762603/0	95761003/0	95761503/0	95761503/0
Model (Scotsman)		B120	SB393	SB550	B842	SB1025	UBH1100	UBH1600	UBH2250	UBH2250	SI5700	SI5700	SI51350
code		95772103/0	95772903/0	95774203/0	95774803/0	95775203/0					95771003/0	95771503/0	95771503/0
Model (Simag)		R100	R150	R250	R300	R400					RC200	RC300	RC600
code		95782103/0	95782203/0	95782303/0	95782403/0	95782503/0					95781003/0	95781503/0	95781503/0
Model (Icematic)		D105	D205	D305	D405	D505	UD500	UD700	UD1000	UD1000	DR140	DR320	DR620
kg / kg/24h		442	129	181	353	406	553	812	1068	1068	137+73	318 + 73	613+73+73
mm		1678 x 770	568 x 620	769 x 620	1080 x 680	1320 x 640	1220 x 880	1524 x 880	1828 x 1220	1828 x 1220	885 x 1025	885 x 1025	1753 x 1025
Dimensions LxPxH		1678x1069xH892	568x845xH1048	769x845xH1048	1080x865xH1270	1320x865xH1270	1220x1125xH2166	1524x1125xH1731	1828x1468xH1292	1828x1468xH1292	885x1267xH1803	885x1267xH1803	1753x1267xH1803
C01030 Prodigy (760 x 700 x H736)	456				KBT29	CBT48EAMCD 1225x865xH2008	CBT52EAMCD 1320x865xH2006	1520x1125xH2166					
C1448 Prodigy (1220 x 700 x H736)	657					CBT48FMCD 1225x865xH2006	CBT30/52AMCD 1320x865xH2006	1520x1125xH2166					
C1848-C2148 Prodigy (1220 x 700 x H736)	807-884					CBT48FMCD 1225x865xH2006	CBT30/52AMCD 1320x865xH2006	1520x1125xH2166					
MF26 - MF36 (564 x 536 x H531)	120 - 200	560x865xH1801	762x865xH1576	1080x850xH1494		CBT30EFS (EX KBT103)	CBT42EFS (EX KBT11)						
MF46 - MFN46 - MF 47 (538 x 663 x H650)	330	560x865xH2060	762x845xH1695	1080x850xH1613		CBT22EFC 560x865xH2060	CBT42EFS (EX KBT11) ← →						
MF56 - MFN56 - MF57 (538 x 663 x H790)	600	560x865xH2060	762x845xH1835	1080x850xH1753		CBT22EFC 560x865xH2060	CBT48FMCD (EX KBT24A)						
MF58 - MF59 Split (538 x 663 x H790)	600 - 850		762x845xH1835	1080x850xH1753		CBT30EFS (EX KBT103) ← →	CBT52FMCD 1321x865xH1920						
MF66 (1070 x 700 x H850)	1200						CBT48FMCD (EX KBT24A)						
MF68 - MF69 Split (538 x 665 x H790)	1255						CBT52FMCD 1321x865xH1920						
MAR 56-76-106-126 (876 x 620 x H1125)	380-510-700-1000						CBT48FMCD (EX KBT24A)						
MAR 78-108-128 (880 x 620 x H520)	510-700-1000												
MAR 206 - 306 (1300 x 660 x H520)	1570-2050												

Scotsman USA

# Scotsman

## COVER ICE STORAGE BINS

	22"	30"	42"	48"	52"	48"	60"	72"	34"	34"	68"
code	95762103/0	95762203/0	95764203/0	95762003/0	95765203/0	95764803/0	95762503/0	95762603/0	95761003/0	95761003/0	95761503/0
Model (Scotsman)	<b>SB193</b>	<b>SB322</b>	<b>SB550</b>	<b>B842</b>	<b>SB1025</b>	<b>SB948</b>	<b>UBH1600</b>	<b>UBH2250</b>	<b>SIS700</b>	<b>SIS700</b>	<b>SIS1350</b>
code	95772103/0	95772203/0	95774203/0	95773003/0	95775203/0	95774803/0			95771003/0	95771003/0	95771503/0
Model (Simag)	<b>R100</b>	<b>R130</b>	<b>R150</b>	<b>R190</b>	<b>R400</b>	<b>R300</b>			<b>RC200</b>	<b>RC300</b>	<b>RC600</b>
code	95782103/0	95782203/0	95782303/0	95783003/0	95782503/0	95784803/0	95782503/0	95782603/0	95781003/0	95781003/0	95781503/0
Model (Icematic)	<b>D105</b>	<b>D155</b>	<b>D205</b>	<b>D255</b>	<b>D505</b>	<b>D405</b>	<b>UD700</b>	<b>UD1000</b>	<b>DR140</b>	<b>DR320</b>	<b>DR620</b>
kg / kg/24h	<b>129</b>	<b>168</b>	<b>181</b>	<b>243</b>	<b>478</b>	<b>406</b>	<b>812</b>	<b>1068</b>	<b>137+73</b>	<b>318 + 73</b>	<b>613+73+73</b>
max ice capacity (Appl.)	<b>442</b>	<b>569 x 640</b>	<b>769 x 620</b>	<b>771 x 640</b>	<b>1083 x 565</b>	<b>1238 x 640</b>	<b>1524 x 880</b>	<b>1828 x 1220</b>	<b>885 x 1025</b>	<b>885 x 1025</b>	<b>1753 x 1025</b>
support area L x P	<b>1678 x 770</b>	<b>569 x 640</b>	<b>769 x 620</b>	<b>771 x 640</b>	<b>1083 x 565</b>	<b>1238 x 640</b>	<b>1524 x 880</b>	<b>1828 x 1220</b>	<b>885 x 1025</b>	<b>885 x 1025</b>	<b>1753 x 1025</b>
Dimensions LxPxH	<b>1678x1069xH892</b>	<b>569x865xH1271</b>	<b>769x845xH1048</b>	<b>771x865xH1270</b>	<b>1083x824xH968</b>	<b>1238x869xH1272</b>	<b>1524x1125xH1427</b>	<b>1828x1468xH1292</b>	<b>885x1267xH1803</b>	<b>885x1267xH1803</b>	<b>1753x1267xH1803</b>
<b>MAR 208 - 308</b> (1300 x 660 x H520)											
<b>F 822</b> (559 x 610 x H584)		<b>CBT30EFSD</b> (EX KBT103)	<b>CBT30EFSD</b> (EX KBT103)	<b>CBT30EFSD</b> (EX KBT103)	<b>CBT42EFSD</b> (EX KBT1)	<b>CBT48FMCD</b> (EX KBT24A)	<b>CBT52FMCD</b> (EX KBT103)	<b>CBT52FMCD</b> (EX KBT103)	<b>CBT52FMCD</b> (EX KBT24A)	<b>CBT52FMCD</b> (EX KBT24A)	
<b>F1222</b> (533 x 610 x H686)		<b>CBT30EFSD</b> (EX KBT103)	<b>CBT30EFSD</b> (EX KBT103)	<b>CBT30EFSD</b> (EX KBT103)	<b>CBT42EFSD</b> (EX KBT1)	<b>CBT48FMCD</b> (EX KBT24A)	<b>CBT52FMCD</b> (EX KBT103)	<b>CBT52FMCD</b> (EX KBT103)	<b>CBT52FMCD</b> (EX KBT24A)	<b>CBT52FMCD</b> (EX KBT24A)	
<b>N 622</b> (540 x 780 x H584)		<b>CBT30EFSD</b> (EX KBT103)	<b>CBT30EFSD</b> (EX KBT103)	<b>CBT30EFSD</b> (EX KBT103)	<b>CBT42EFSD</b> (EX KBT1)	<b>CBT48FMCD</b> (EX KBT24A)	<b>CBT52FMCD</b> (EX KBT103)	<b>CBT52FMCD</b> (EX KBT103)	<b>CBT52FMCD</b> (EX KBT24A)	<b>CBT52FMCD</b> (EX KBT24A)	

- ✓ = Perfect combination - Matching between ice maker and bin
- 🔒 = No holding points between bin top and bin
- ⬅️ = ice maker deeper then storage bin by +/- 6/9 cm
- 📦 = possible combination but ice maker daily production too high compared to bin capacity
- 🔄 = no holding points between ice maker and bin

- X = NEED ADDITIONAL BIN TOP cm 25161163
- XX = bin top cutting ice chute opening area required
- o = possible combination but ice maker daily capacity too low compared to bin capacity
- cover included ( CBT22EFSD - EX 25161163/0)

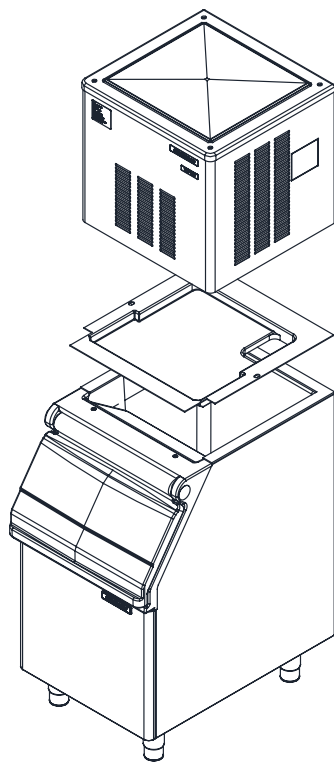
Cover Frimont (rif. KBT1650000000)

### Bin Covers CBT List

<b>CBT16</b>	KBT1650000000	<b>CBT42EMCD</b>	95005200/0
<b>CBT22EFSD</b>	25161163/0	<b>CBT48FMCD</b>	95000480/0
<b>CBT22EFCD</b>	95000220/0	<b>CBT48MCS</b>	95000420/0
<b>CBT30EMCD</b>	95000301/0	<b>CBT48EAMCD</b>	95000410/0
<b>CBT30EFSD</b>	95000400/0	<b>CBT52FMCD</b>	95000520/0
<b>CBT30/52AMCD</b>	95000302/0	<b>CBT52MCS</b>	95000535/0
<b>CBT42EFSD</b>	95002500/0	<b>CBT52EAMCD</b>	95000530/0

# CBT 22 EF SD

Dove usato - Where used



MF 26  
MF 36

CBT 22 EF SD (ex 25161163/0)

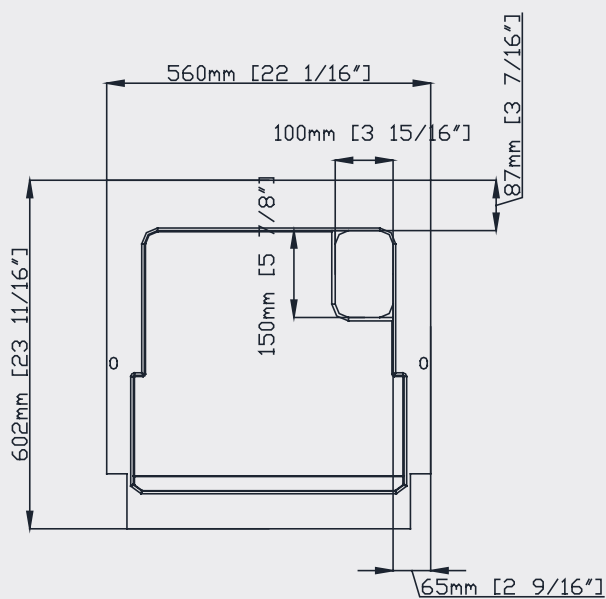
( cover included in the Slope Bin )



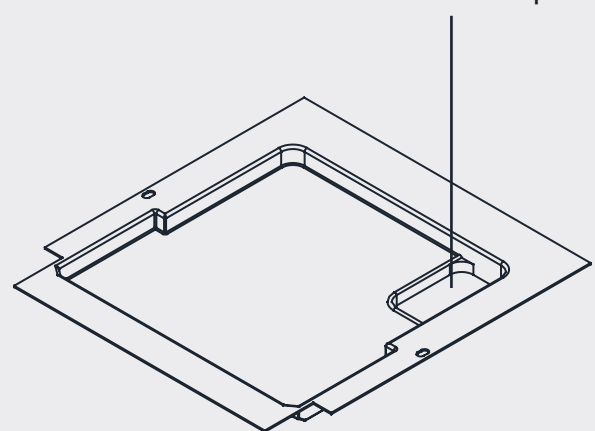
SB 193  
SB 322

Dimensioni - Dimensions

Codice - Code : 25161163/0



Caduta Ghiaccio - Ice drop

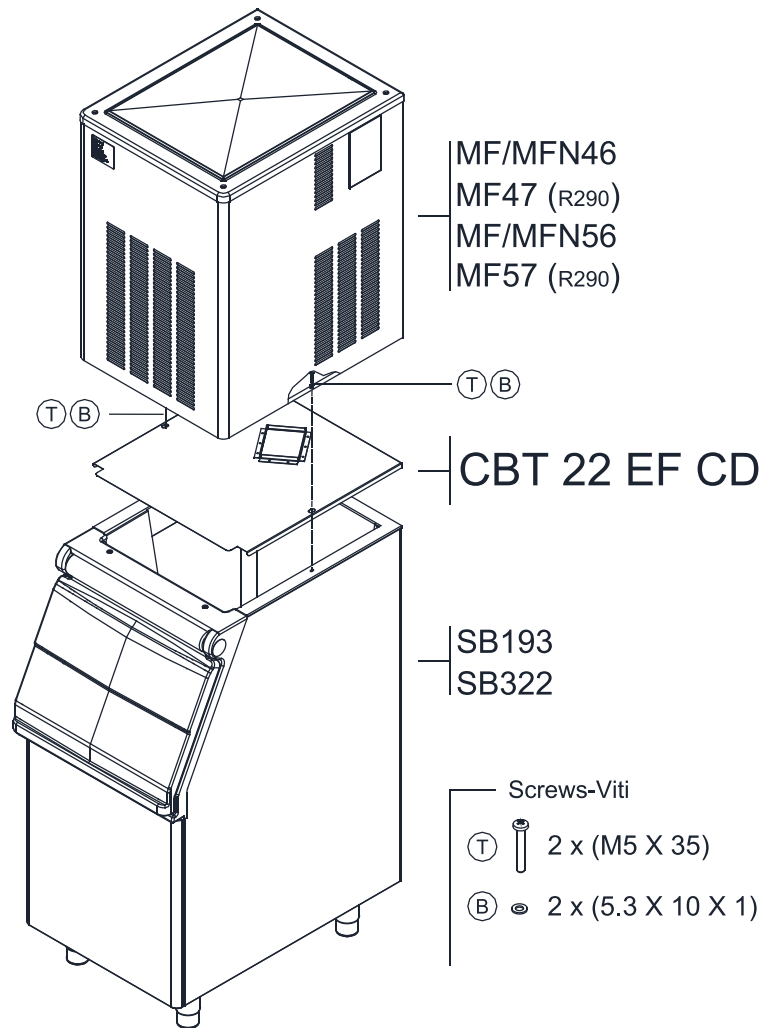


CBT 22 EF SD  
(ex 25161163/0)

(Icematic 25161163/0)

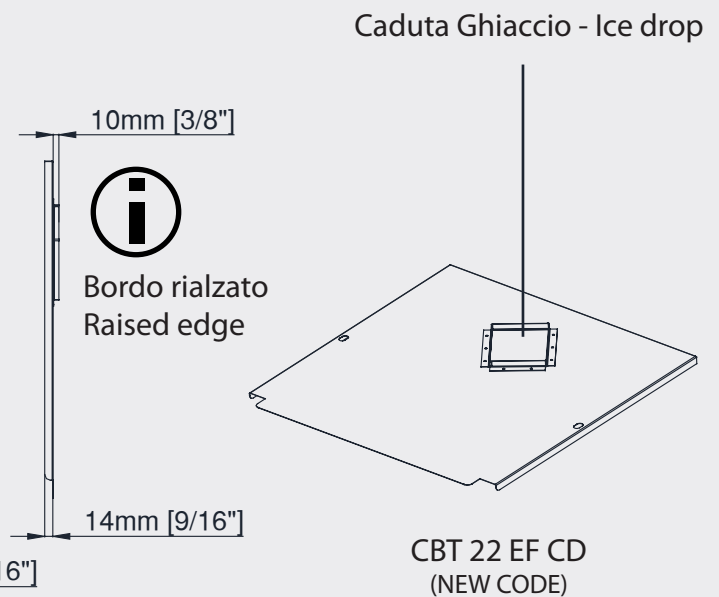
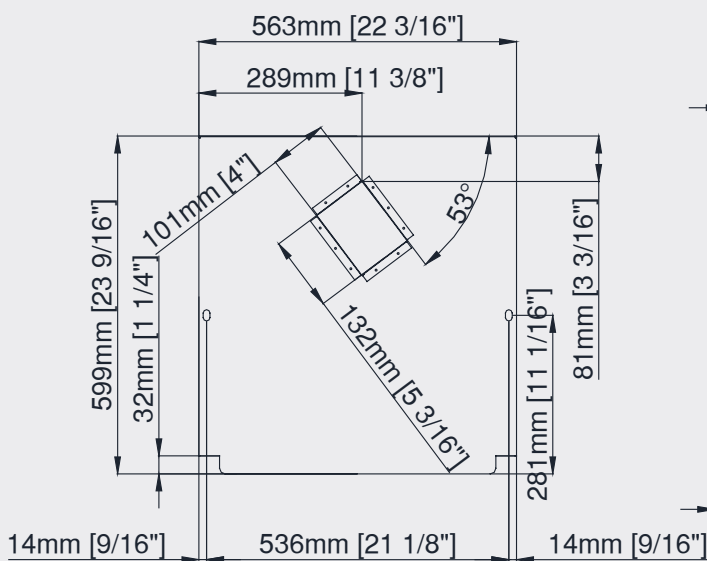
# CBT 22 EF CD

Dove usato - Where used



Dimensioni - Dimensions

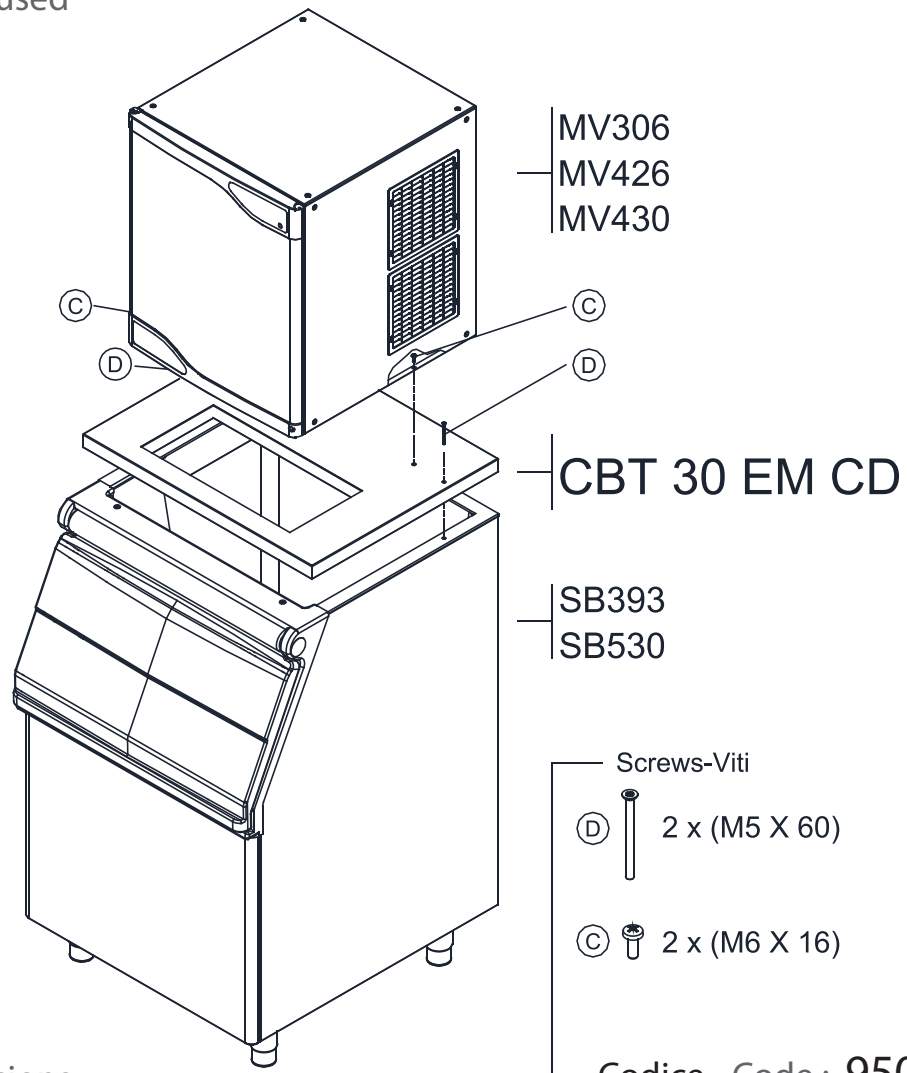
Codice - Code : 95000220/0





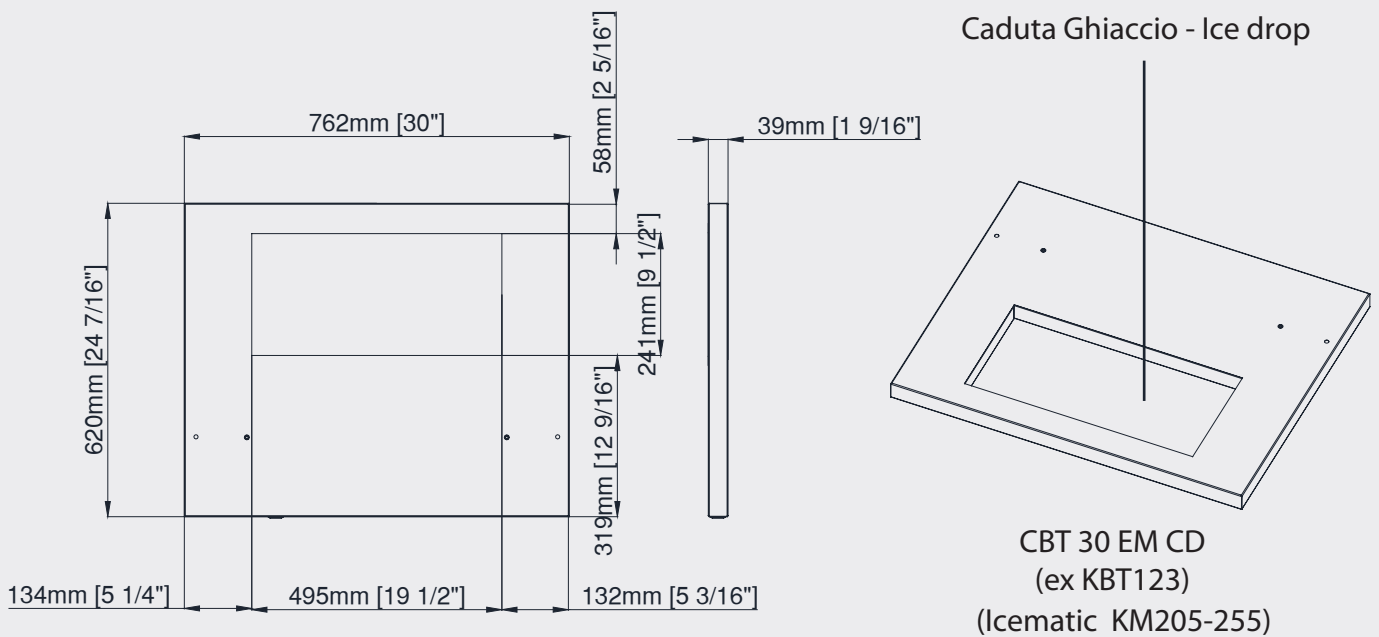
# CBT 30 EM CD

Dove usato - Where used



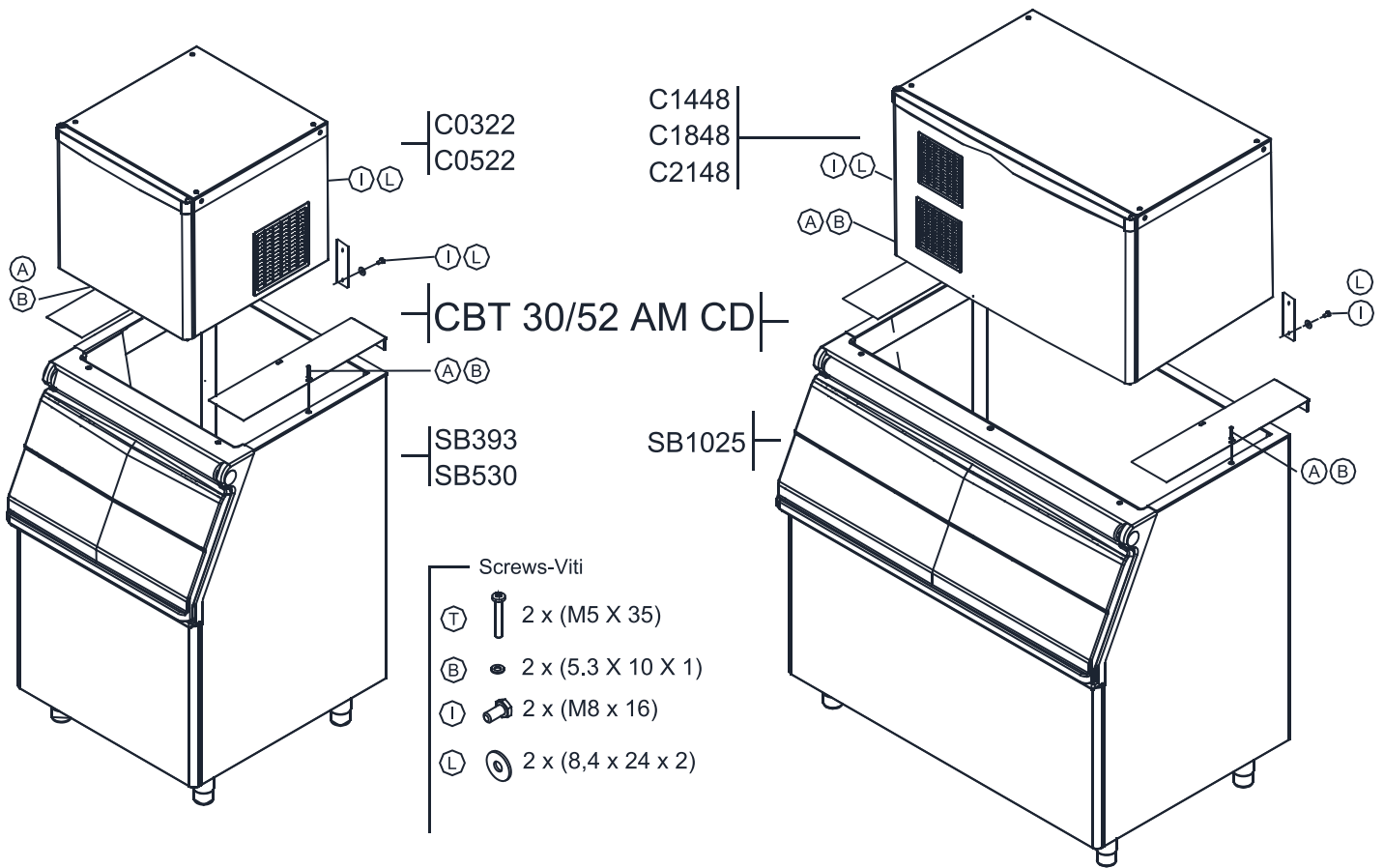
Codice - Code : 95000301/0

Dimensioni - Dimensions



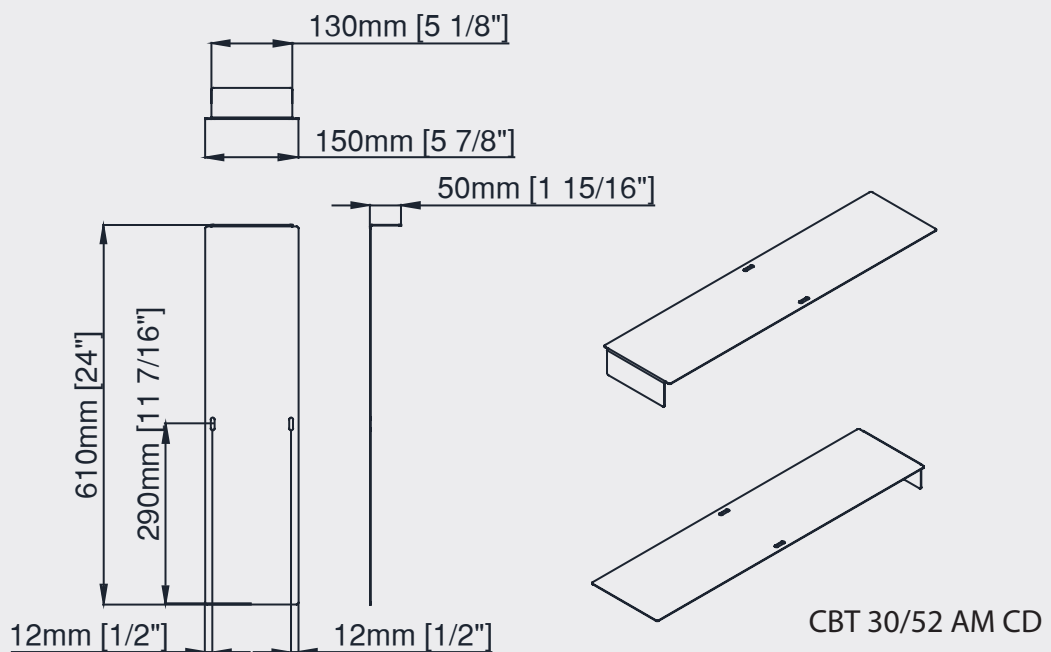
# CBT 30/52 AM CD

Dove usato - Where used



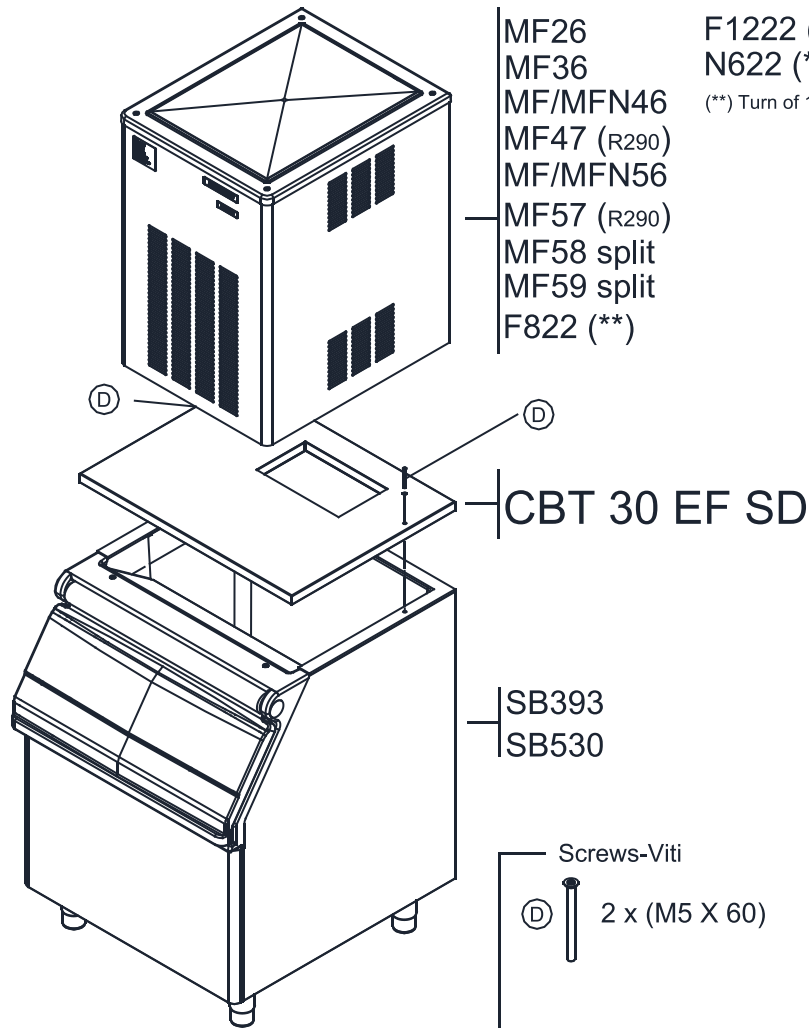
Dimensioni - Dimensions

Codice - Code : 95000302/0



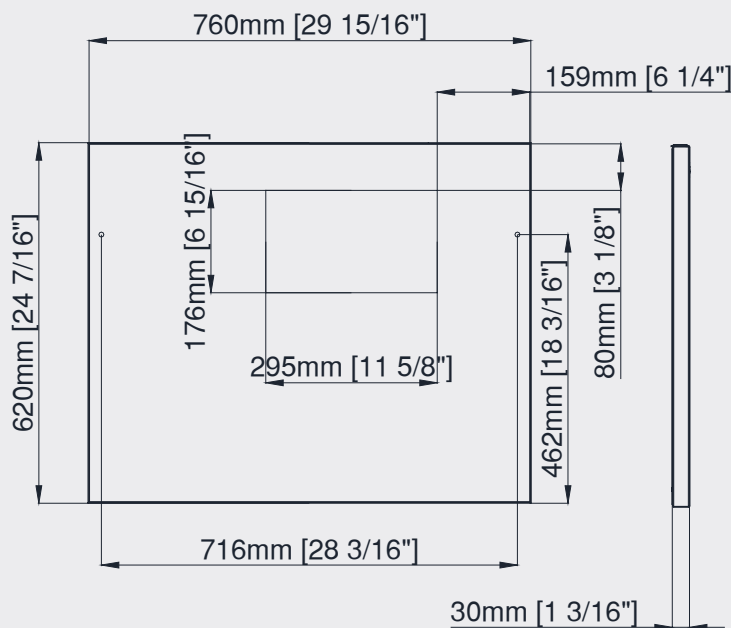
# CBT 30 EF SD

Dove usato - Where used

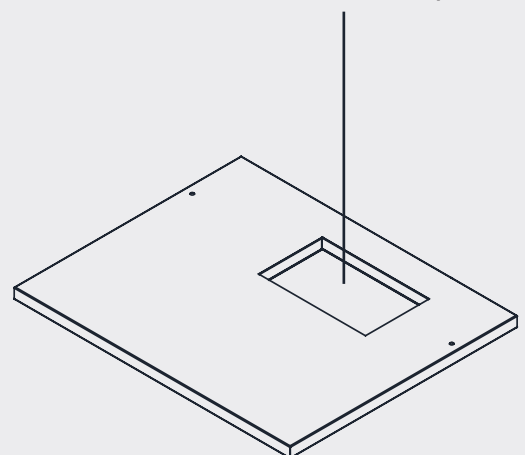


Dimensioni - Dimensions

Codice - Code: 95000400/0



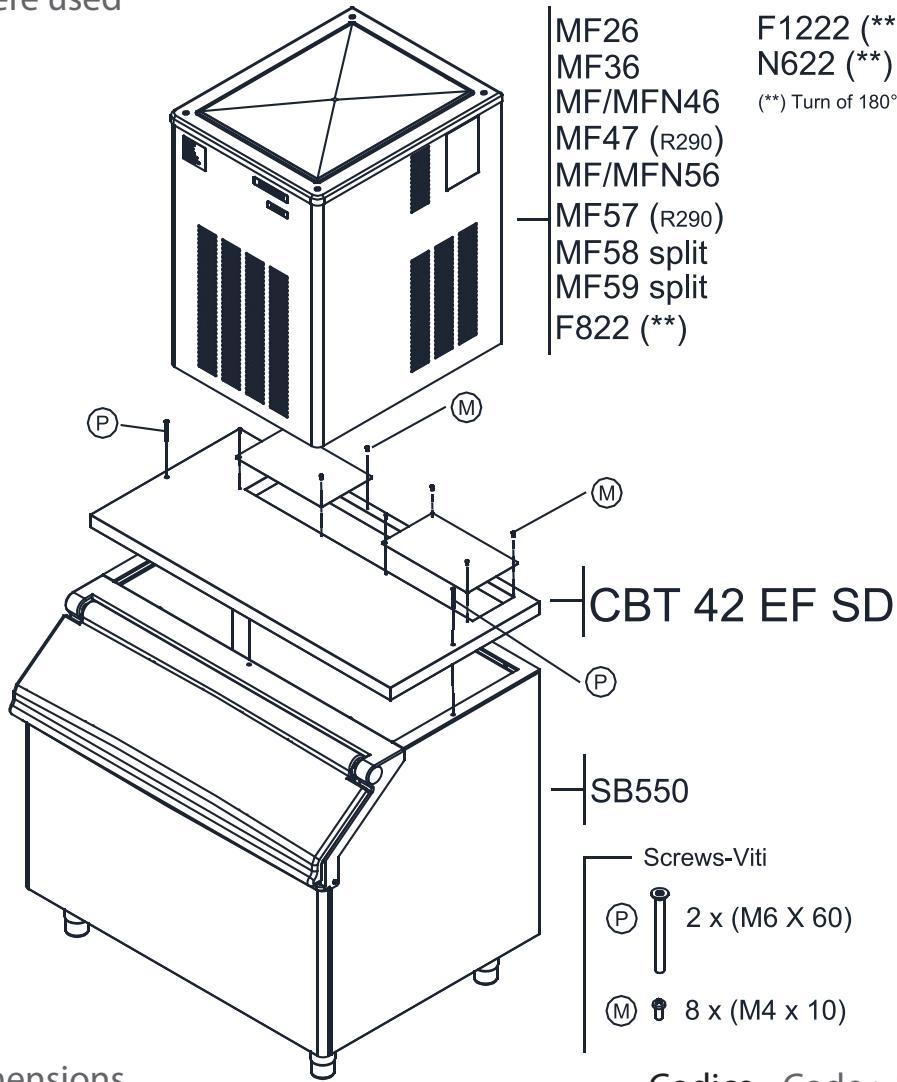
Caduta Ghiaccio - Ice drop



CBT 30 EF SD  
(ex KBT103)  
(Icematic KF205-255)

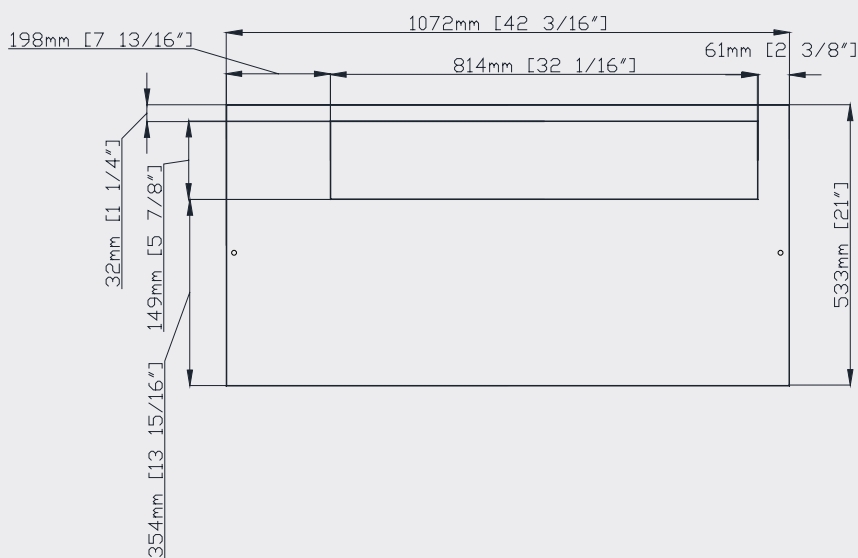
# CBT 42 EF SD

Dove usato - Where used

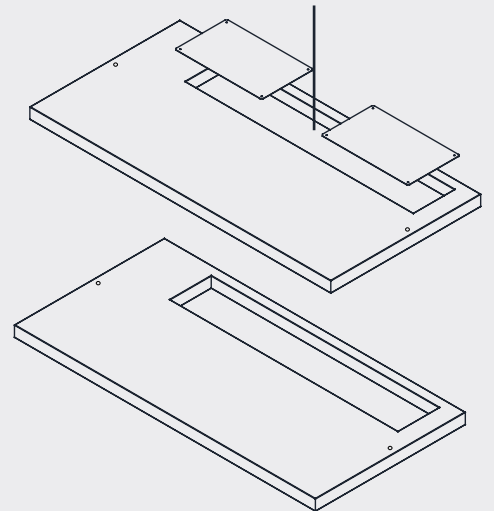


Dimensioni - Dimensions

Codice - Code: 95002500/0



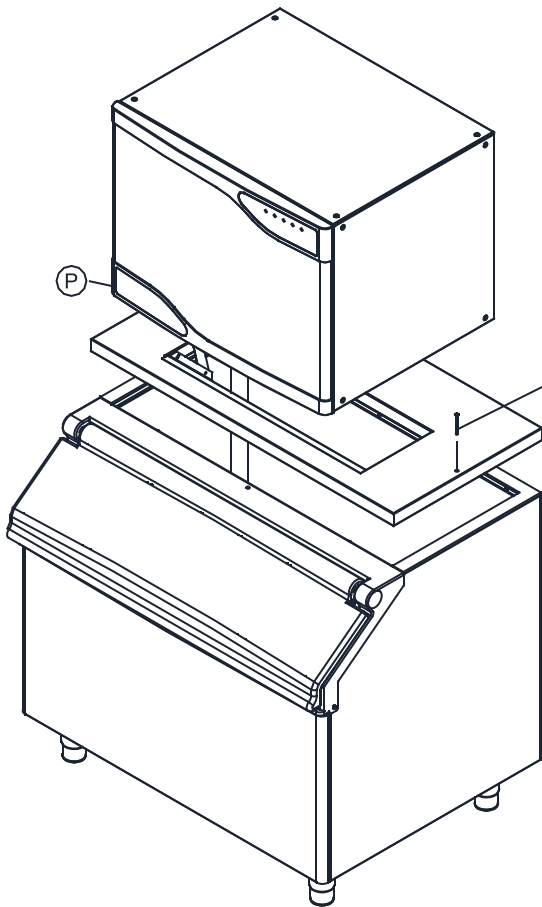
Caduta Ghiaccio - Ice drop



(Spessore - Thickness = 40 mm)  
CBT 42 EF SD  
(ex KBT1)  
(Icematic KF305)

# CBT 42 EM CD

Dove usato - Where used








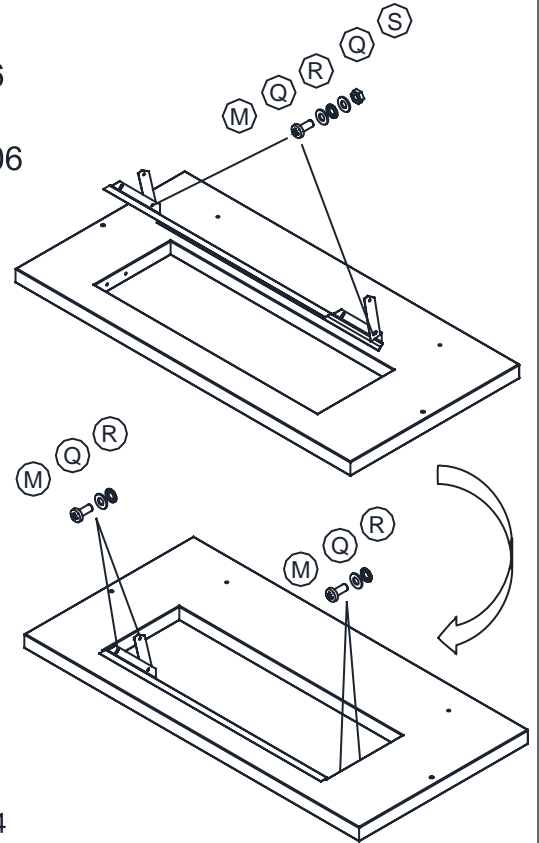
- |         |          |
|---------|----------|
| MV456   | MV806    |
| P-MV456 | P-MV806  |
| MV460   | MV1006   |
| MV606   | P-MV1006 |
| P-MV606 |          |

CBT 42 EM CD

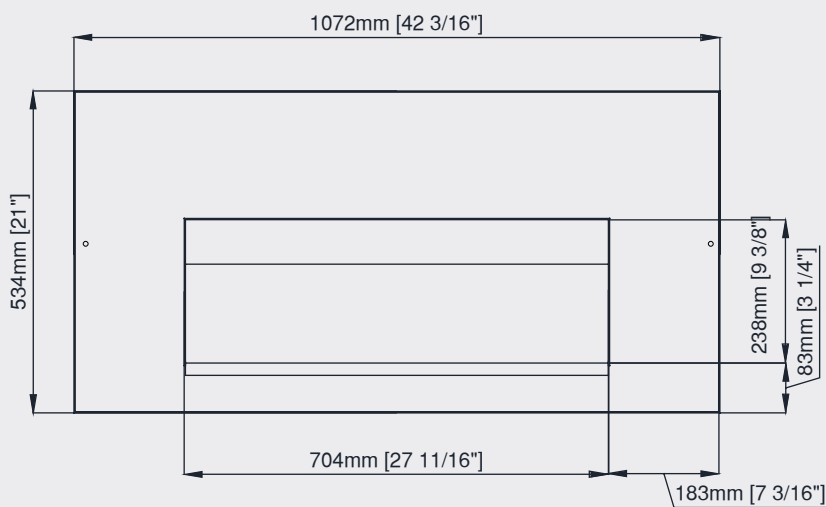
SB550

Screws-Viti

-  2 x (M6 X 60)
-  4 x (M4 x 10)
-  6 x Ros TE M4
-  4 x Ros DE M4
-  2 x Dado (M4)

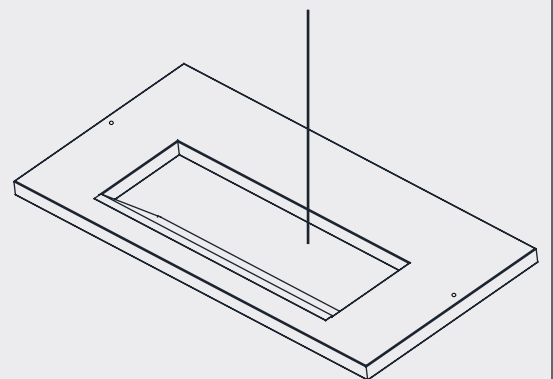


Dimensioni - Dimensions



Codice - Code : 95005200/0

Caduta Ghiaccio - Ice drop



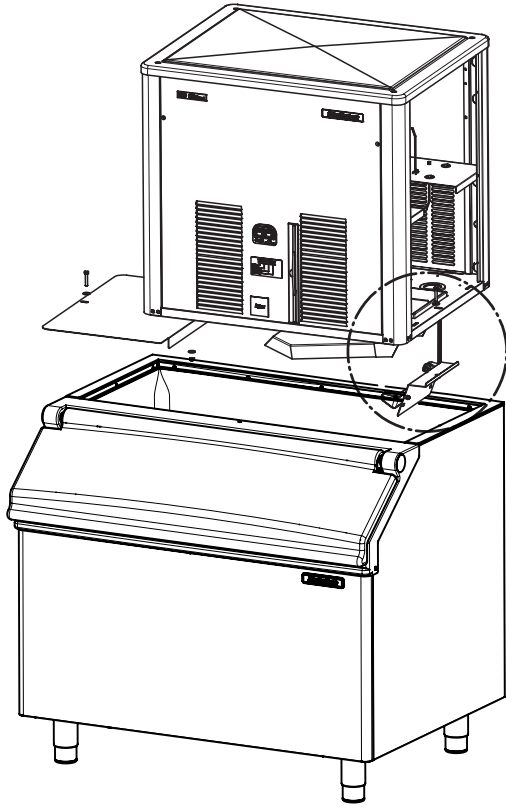
(Spessore - Thickness = 40 mm)

CBT 42 EM CD  
(ex KBT253)

(Icematic KM305)

# CBT 16

Dove usato - Where used



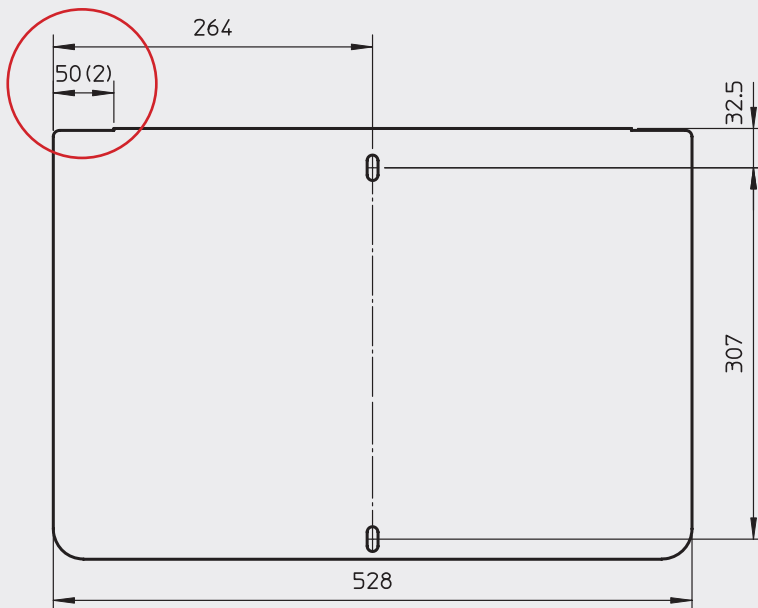
MC16 Short

CBT 16 S (Frimont Code)

SB 550

Dimensioni - Dimensions

Codice - Code : KBT16S0000000

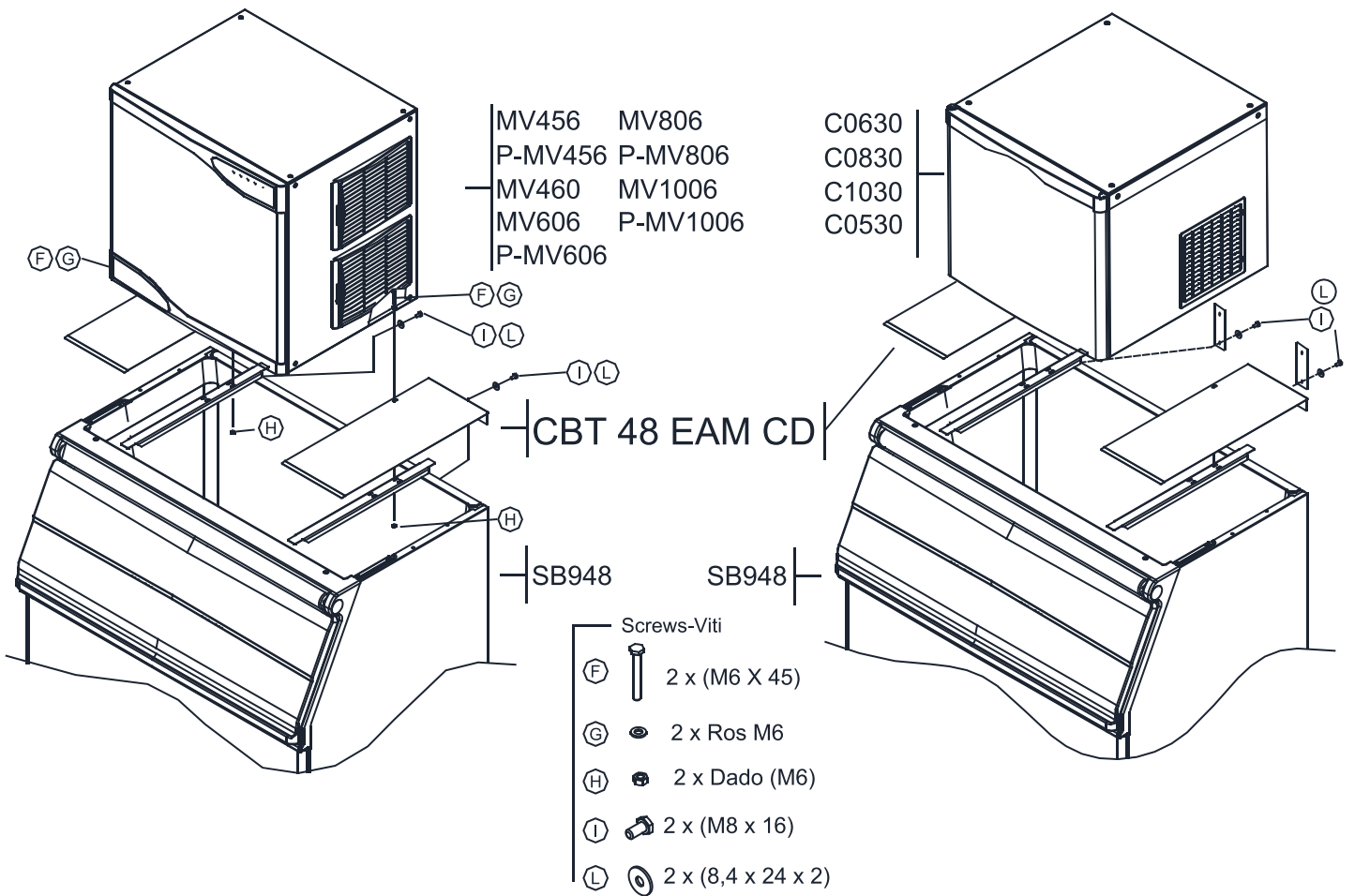


CBT16



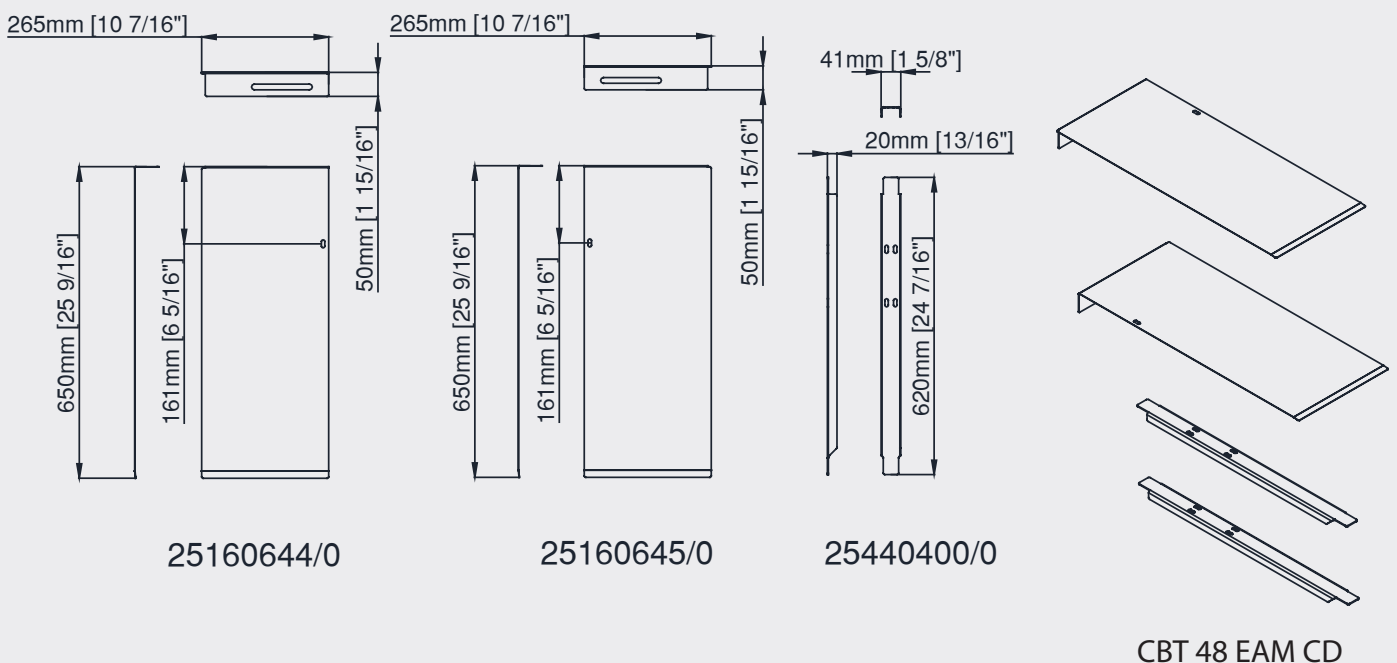
# CBT 48 EAM CD

Dove usato - Where used



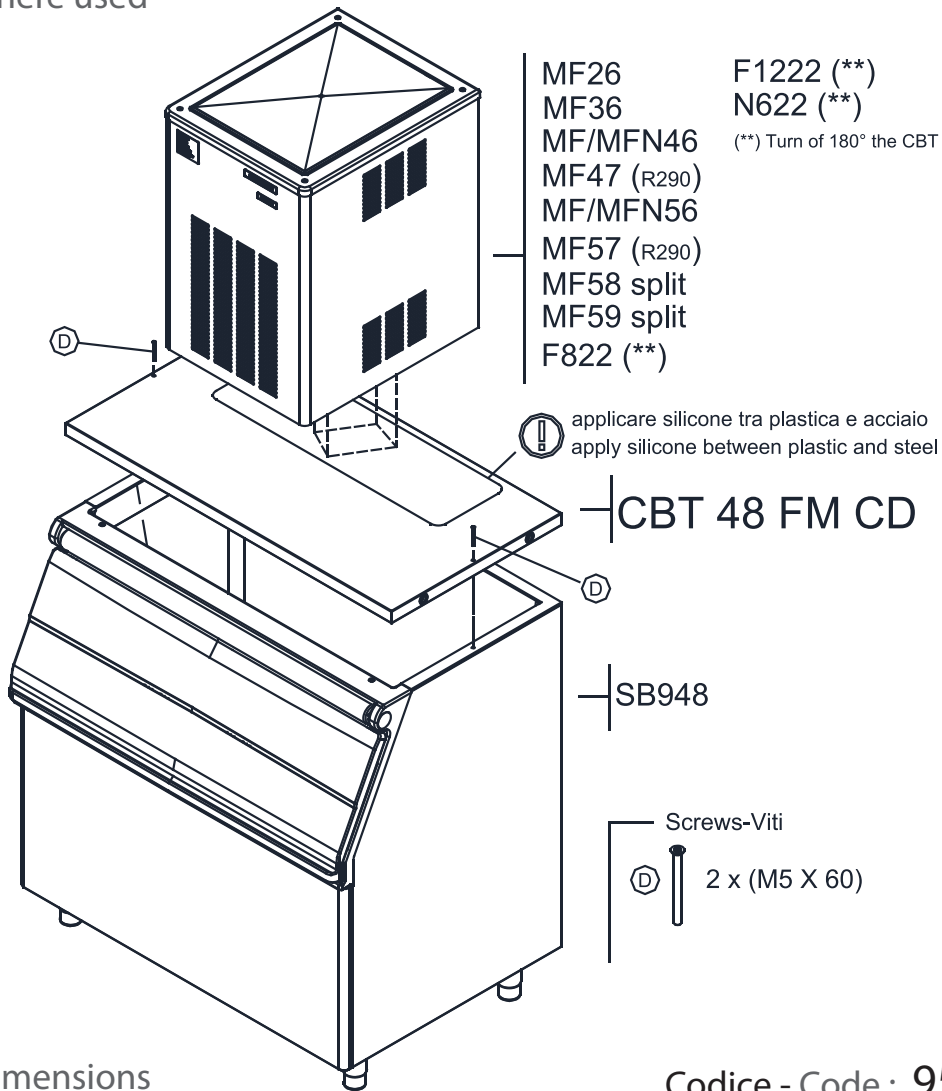
Dimensioni - Dimensions

Codice - Code : 95000410/0



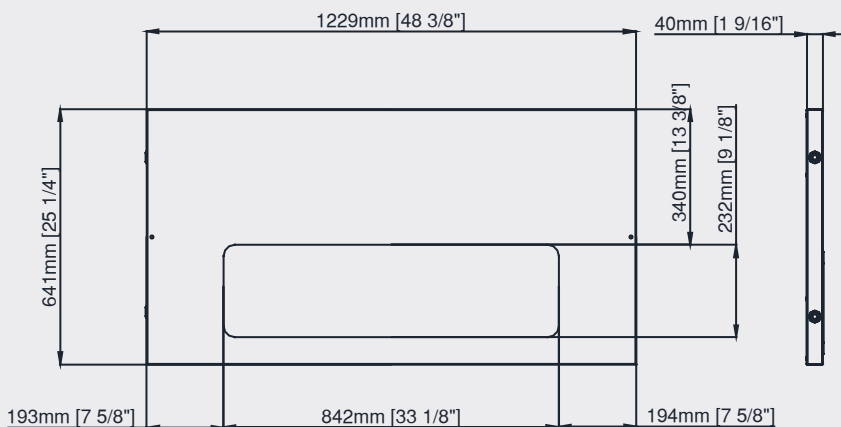
# CBT 48 FM CD

## Dove usato - Where used



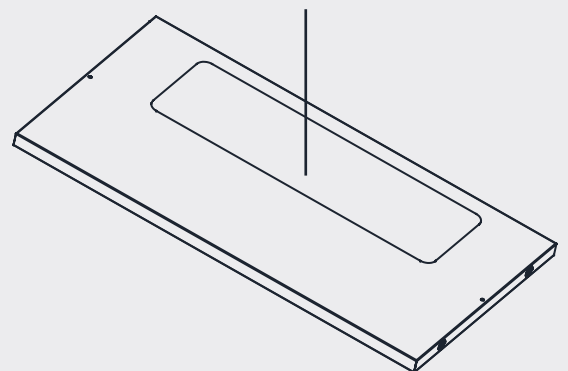
## Dimensioni - Dimensions

Codice - Code : 95000480/0



(Spessore - Thickness = 40 mm)

Caduta Ghiaccio - Ice drop  
(Area ritagliabile - Cut Area)

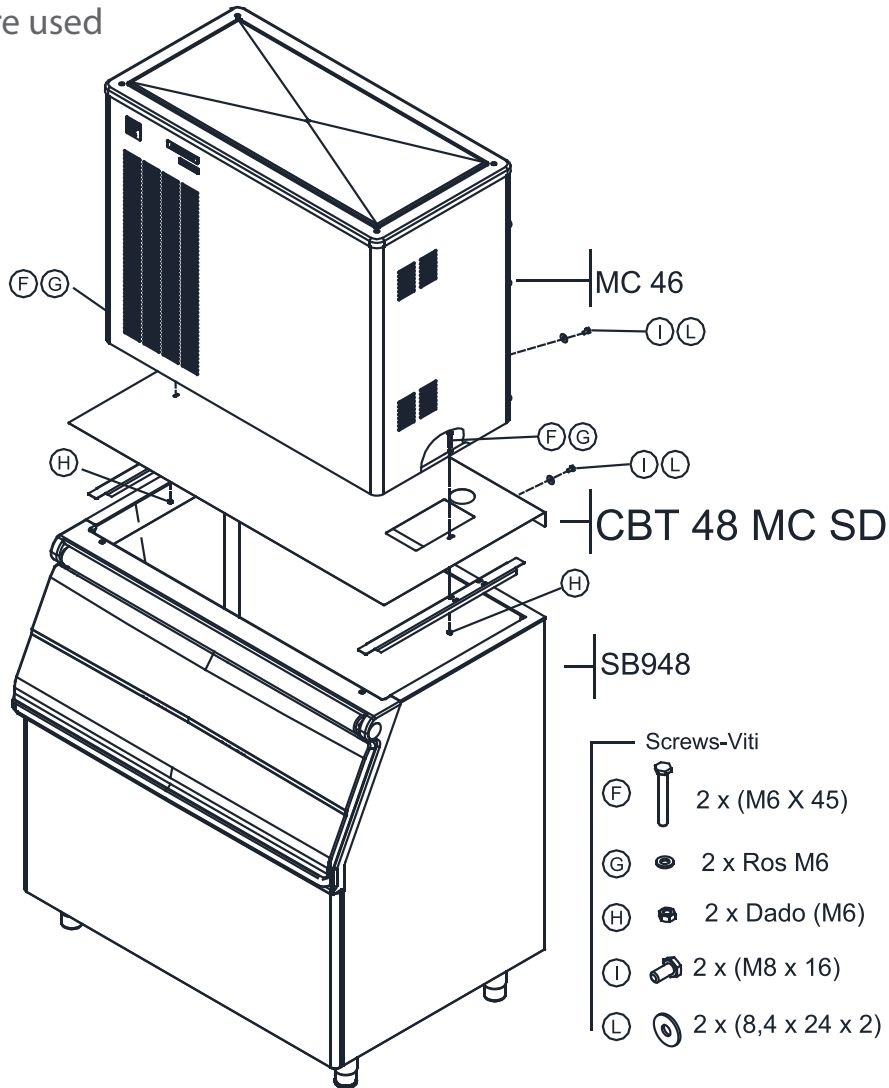


CBT 48 FM CD  
(ex KBT24A)

(Icematic KFM405)

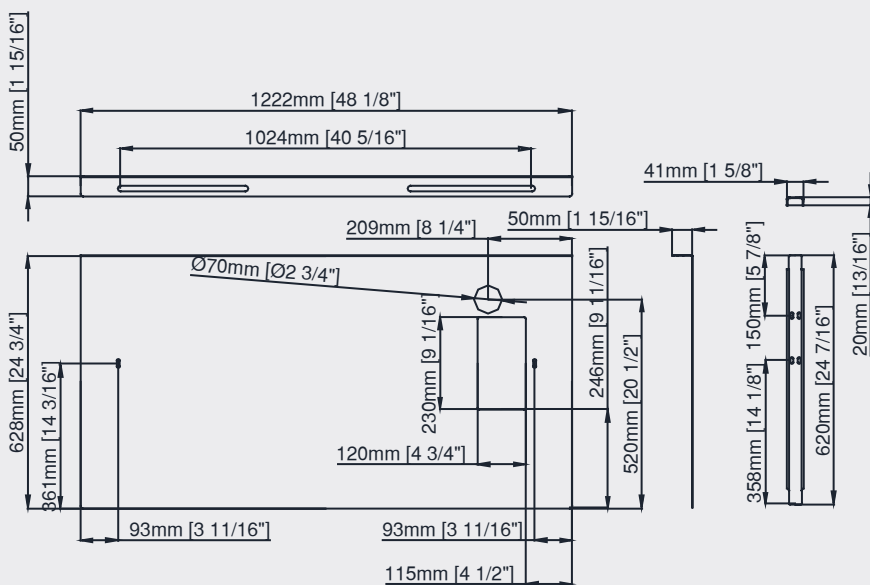
# CBT 48 MC SD

Dove usato - Where used

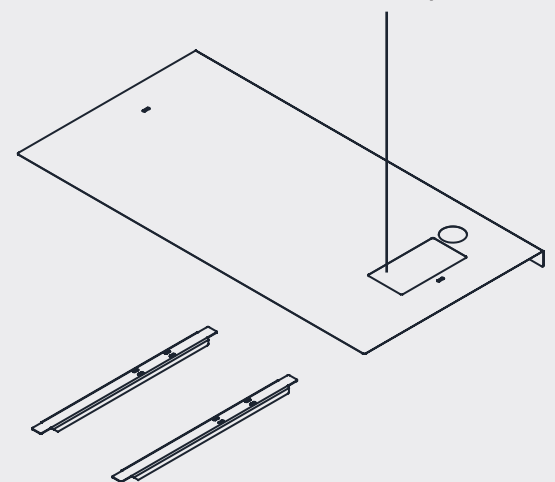


Dimensioni - Dimensions

Codice - Code : 95000420/0



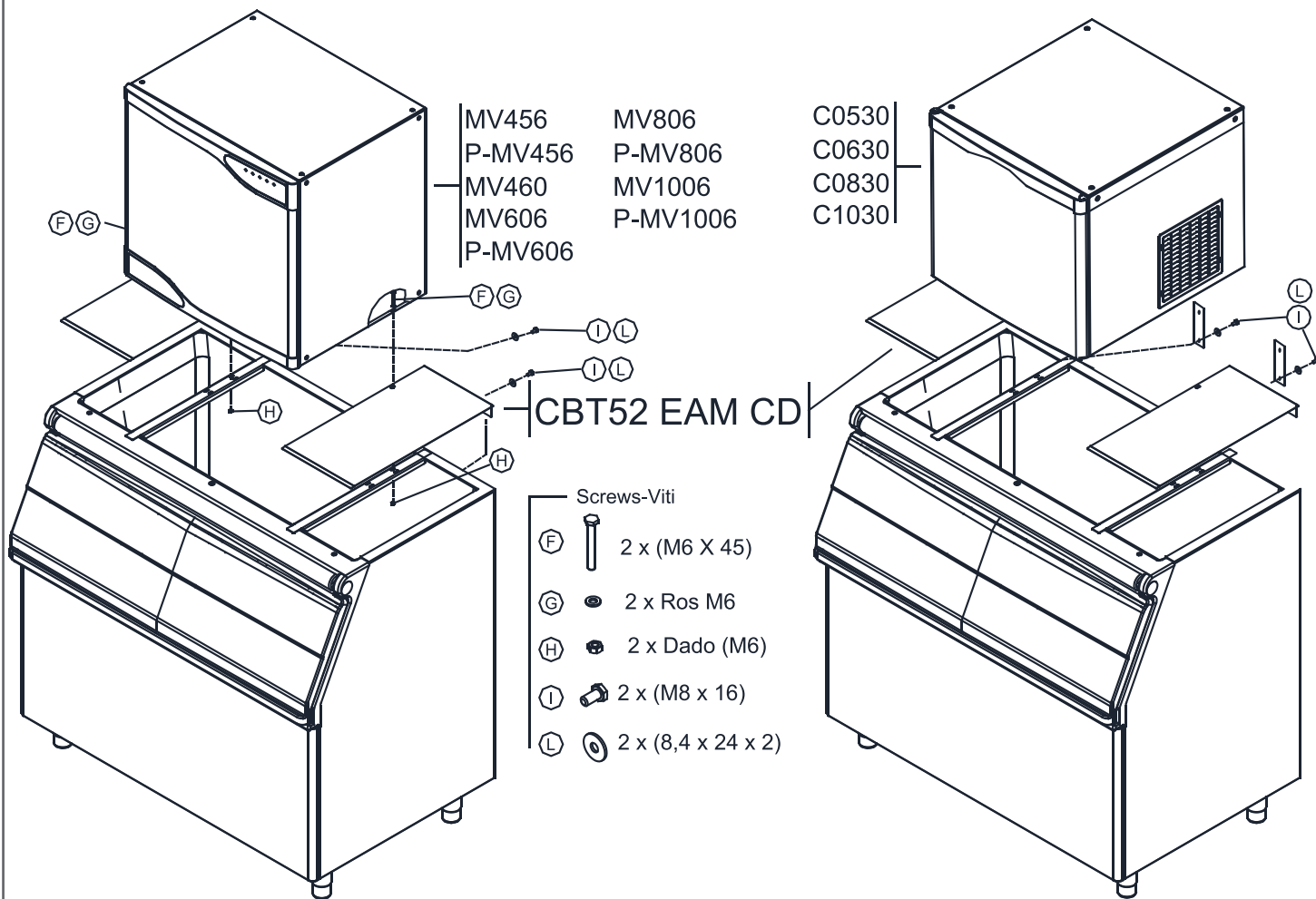
Caduta Ghiaccio - Ice drop



CBT 48 MC SD

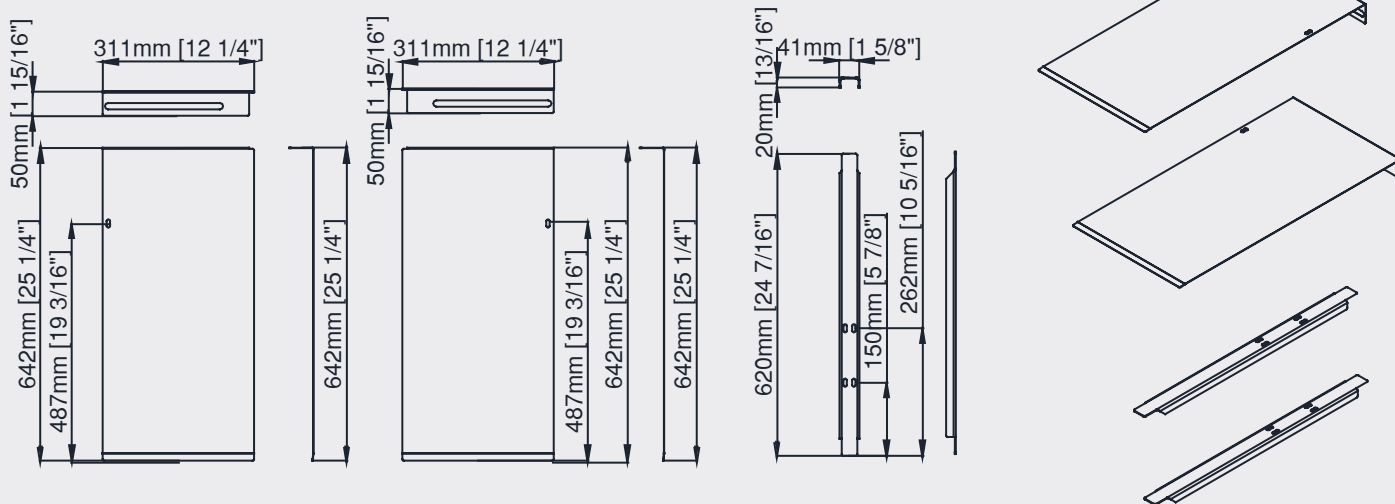
# CBT 52 EAM CD

## Dove usato - Where used



## Dimensioni - Dimensions

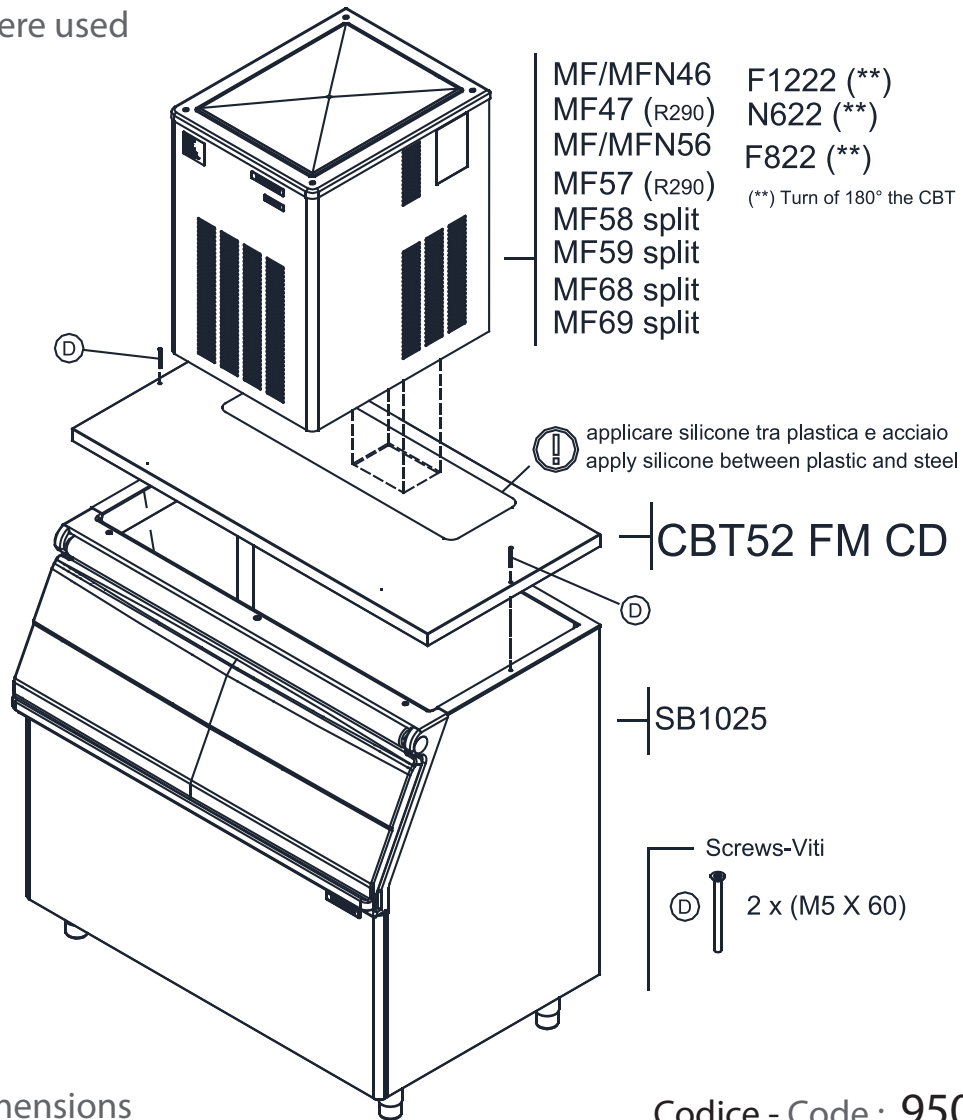
Codice - Code : 95000530/0



CBT 52 EAM CD

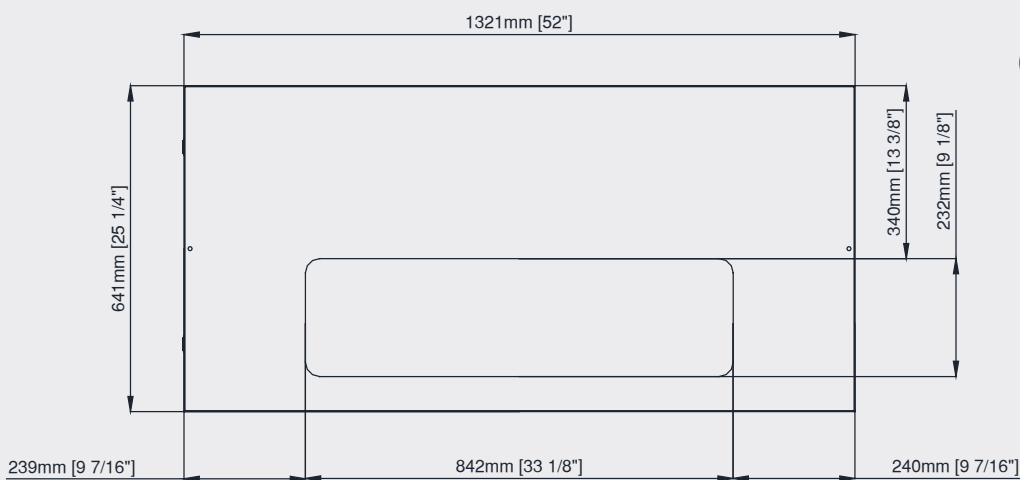
# CBT 52 FM CD

## Dove usato - Where used

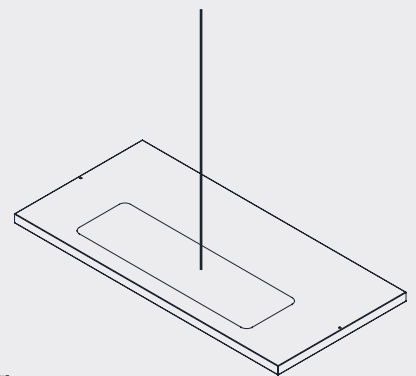


## Dimensioni - Dimensions

Codice - Code : 95000520/0



Caduta Ghiaccio - Ice drop  
 (Area ritagliabile - Cut Area)

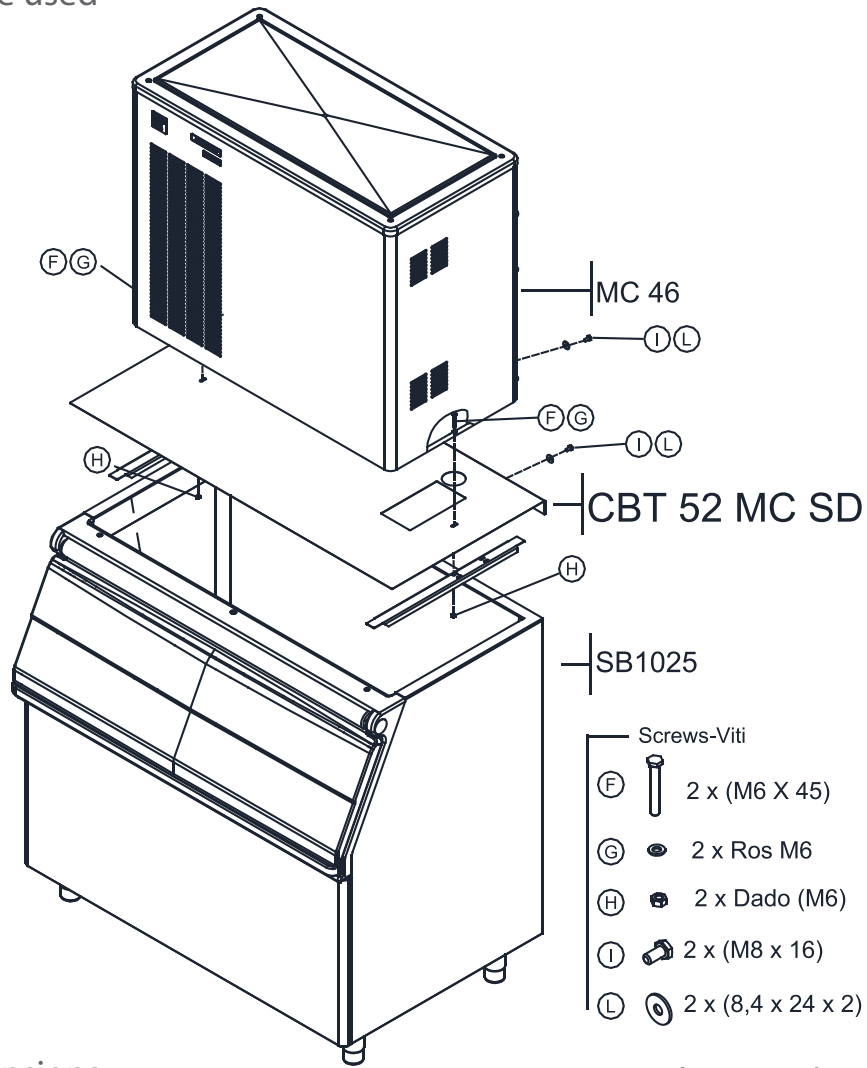







(Spessore - Thickness = 40 mm)

CBT 52 FM CD

# CBT 52 MC SD

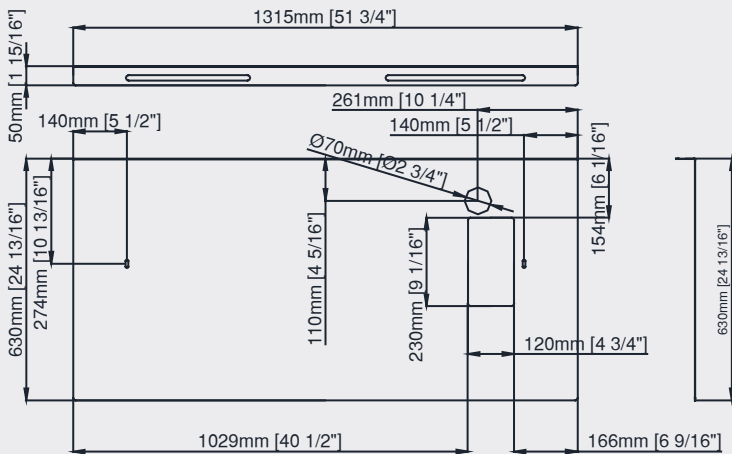
Dove usato - Where used



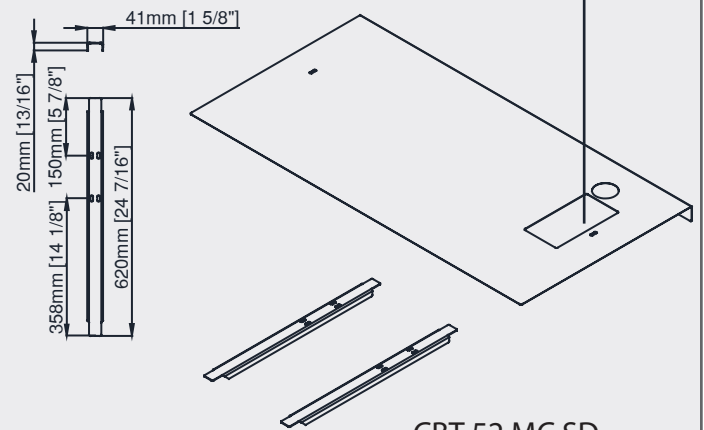
- Screws-Viti
- (F)  2 x (M6 X 45)
  - (G)  2 x Ros M6
  - (H)  2 x Dado (M6)
  - (I)  2 x (M8 x 16)
  - (L)  2 x (8,4 x 24 x 2)

Dimensioni - Dimensions

Codice - Code : 95000535/0



Caduta Ghiaccio - Ice drop  
(Area ritagliabile - Cut Area)



CBT 52 MC SD



# Screws - Viti

## Summary - Riepilogo

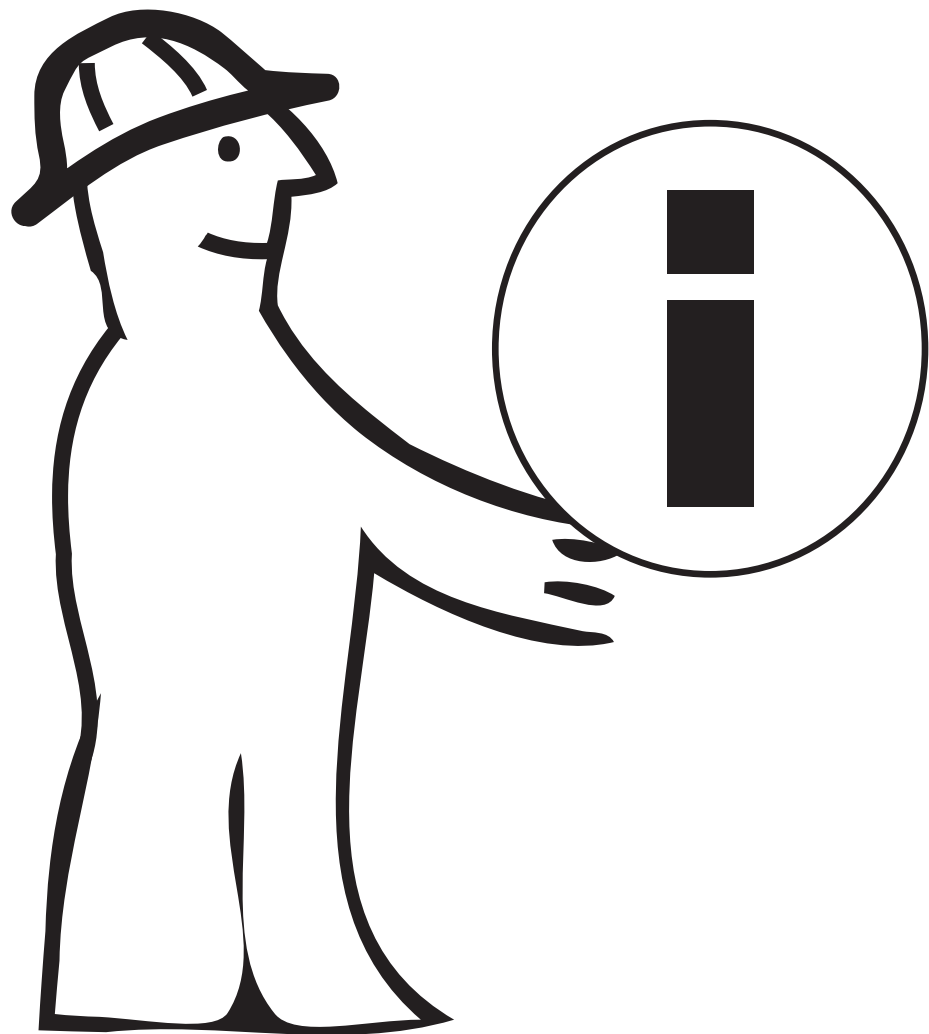
 <b>A</b>	 <b>(M5 X 35)</b> 12902005/0 SCREW TSP M5x30 VITE TSP M5x30	 <b>L</b>	 <b>(8,4 x 24 x 2)</b> 12523060/0 LOCK WASHER MT (8.4X24X2) ROS.MT (8.4X24X2)
 <b>B</b>	 <b>(5.3 x 10 x 1)</b> 12521540/0 LOCK WASHER M5 (5.3X10X1) ROS.TE M5 (5.3X10X1)	 <b>M</b>	 <b>(M4 x 10)</b> 12726406/0 SCREW TCB M4x10 VITE TCB M4x10
 <b>C</b>	 <b>(M6x16)</b> 12727790/0 SCREW TCB M6x16 VITE TCB M6x16	 <b>P</b>	 <b>(M6x60)</b> 12902010/0 SCREW TSP M6x60 VITE TSP M6x60 Only for SB550 Solo per SB550
 <b>D</b>	 <b>(M5x60)</b> 12902001/0 SCREW TSP M5x60 VITE TSP M5x60	 <b>Q</b>	 <b>Ros M4</b> 12521530/0 LOCK WASHER TE M4 ROS.TE M4
 <b>F</b>	 <b>(M6 X 45)</b> 12792416/0 SCREW TE M6x45 VITE TE M6x45	 <b>R</b>	 <b>Ros M4</b> 12540730/0 LOCK WASHER DE M4 ROS.DE M4
 <b>G</b>	 <b>Ros M6</b> 12521550/0 LOCK WASHER TE M6 ROS.TE M6	 <b>S</b>	 <b>Dado (M4)</b> 12290805/0 NUT. M4 DADO ESAG. M4
 <b>I</b>	 <b>(M8 x 16)</b> 12792610/0 SCREW TE M8x16 ZN VITE TE M8x16 ZN	 <b>T</b>	 <b>M5x35</b> 12727785/0 SCREW TCB M5x35 VITE TCB M5x35
 <b>H</b>	 <b>Dado (M6)</b> 12292106/0 NUT. M6 DADO ESAG. M6		

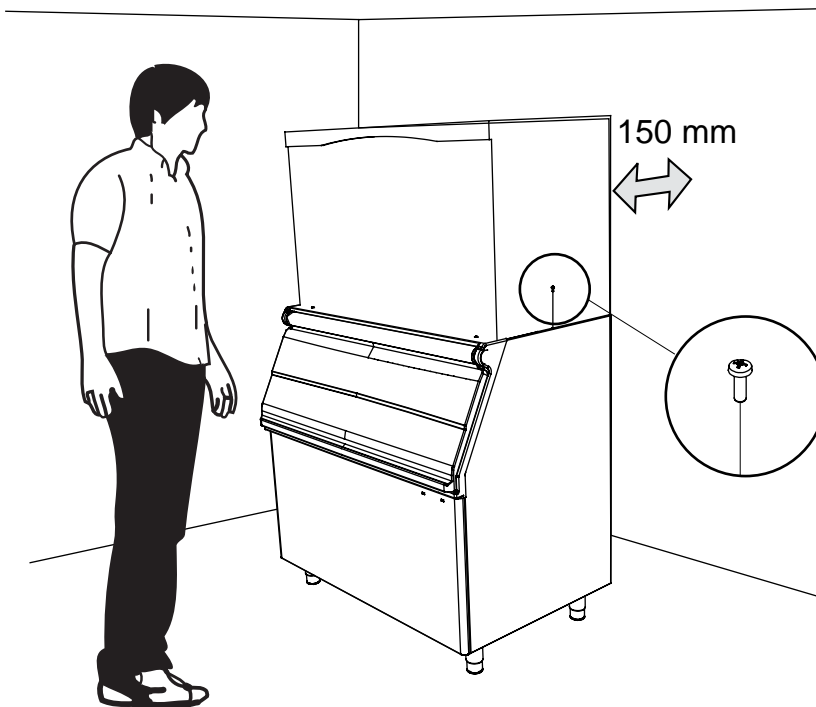
(Blank)

# Slope Bins Series

---

Installazione e dimensioni - Installation & Dimension



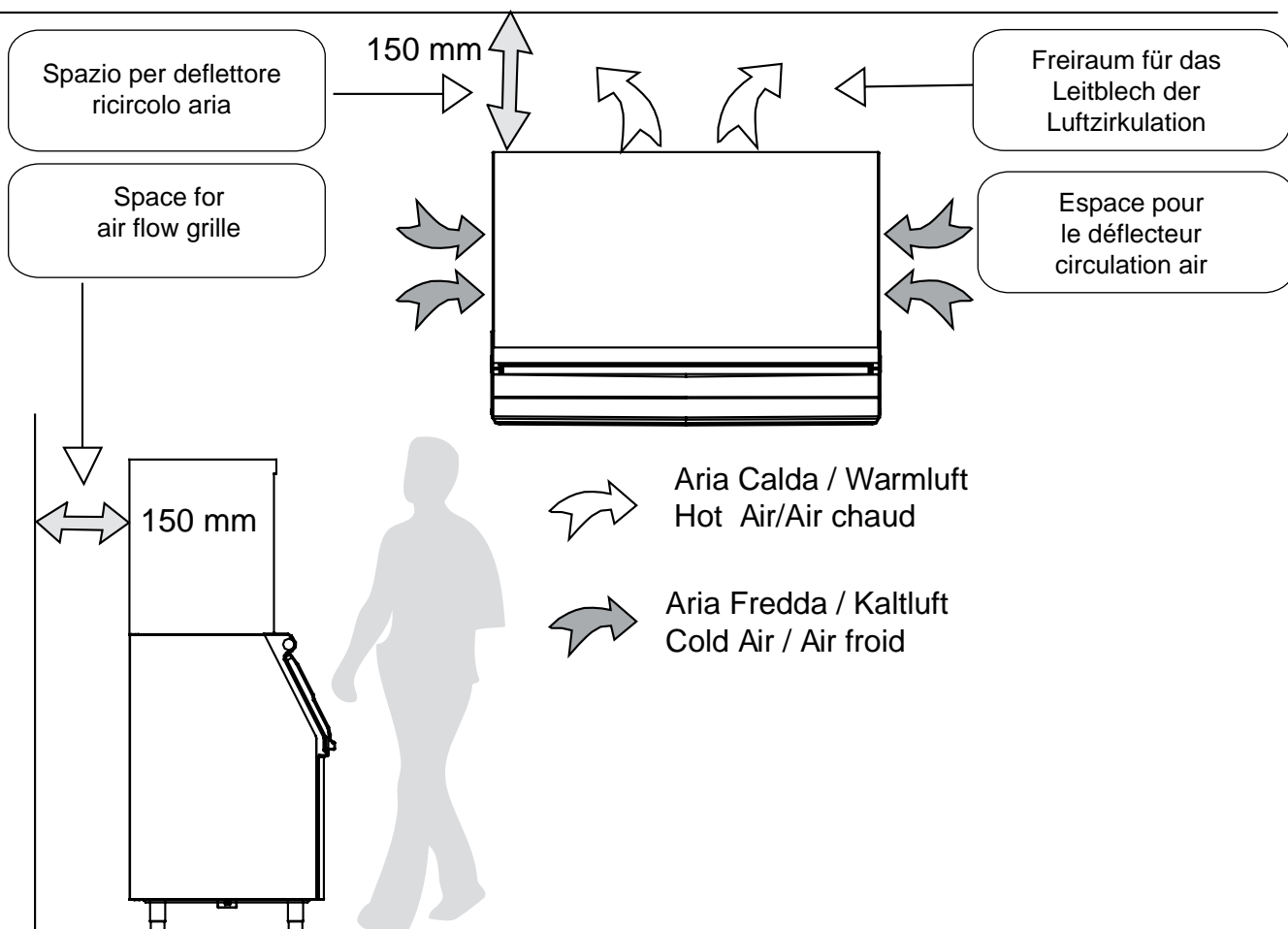


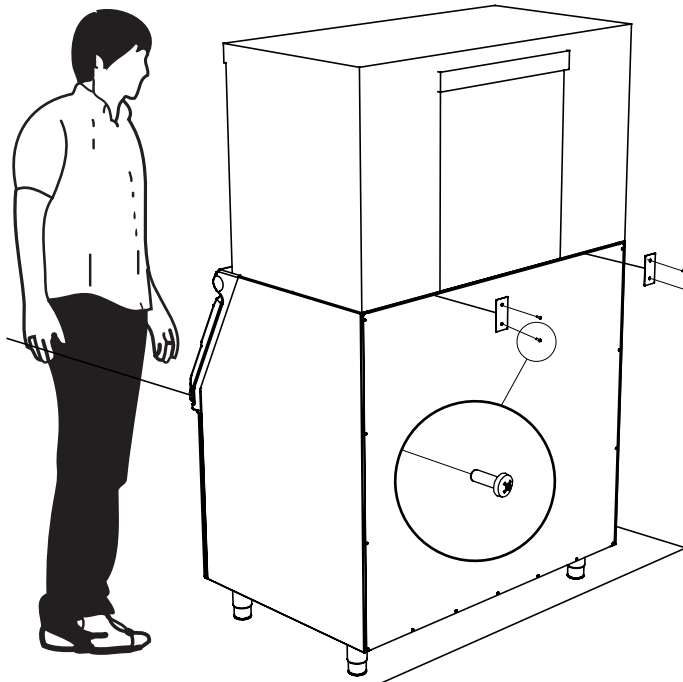
**ATTENZIONE:**  
Fissare la macchina per il ghiaccio sulla parte superiore del deposito con le due viti fornite.

**IMPORTANT:**  
Fix the ice machine on the top of the deposit with the two screws supplied.

**ATTENTION:**  
Fixer la machine pour la fabrication de glace sur la partie supérieure du dépôt avec les deux vis fournies.

**ACHTUNG:**  
Die Eismaschine mit den zwei mitgelieferten Schrauben an der Oberseite des Behälters befestigen.



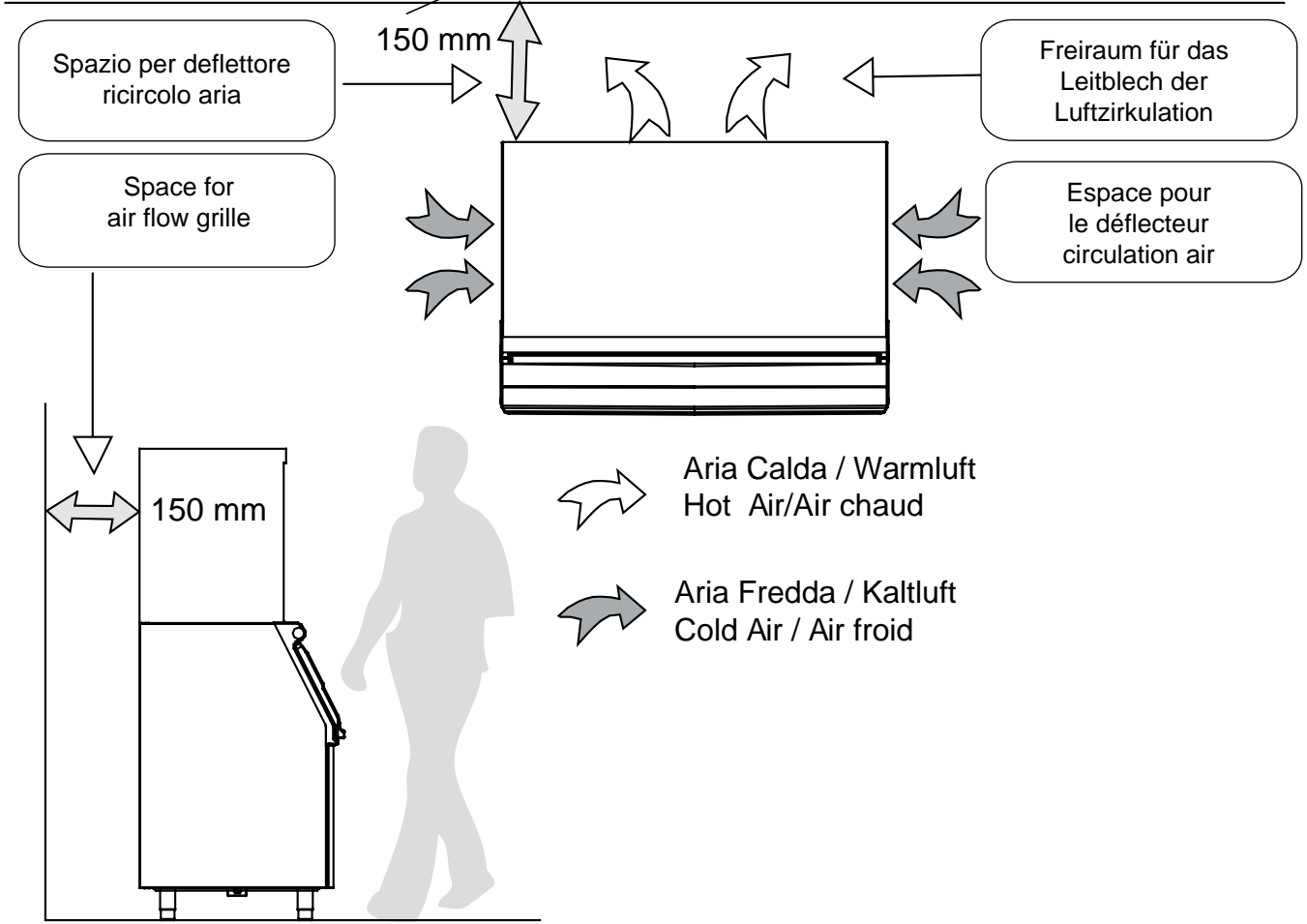


**ATTENZIONE:**  
Fissare la macchina per il ghiaccio sulla parte posteriore del deposito con le due viti fornite.

**IMPORTANT:**  
Fix the ice machine on the back of the deposit with the two screws supplied.

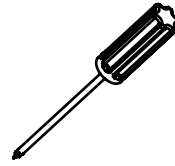
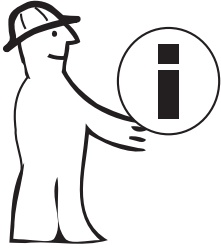
**ATTENTION:**  
Fixer la machine pour la fabrication de glace sur la partie postérieur du dépôt avec les deux vis fournies.

**ACHTUNG:**  
Die Eismaschine mit den zwei mitgelieferten Schrauben an der Hintere seite des Behälters befestigen.

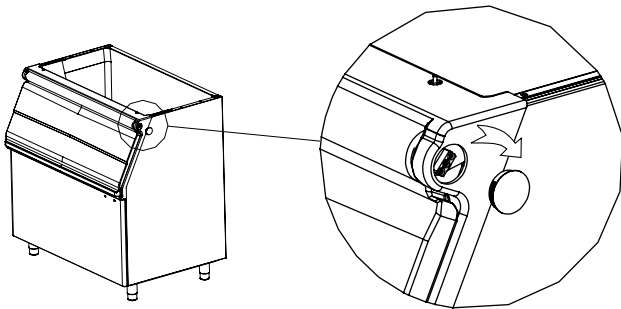


**RIMOZIONE SPORTELLO DEPOSITO**  
**REMOVING DOOR STORAGE**

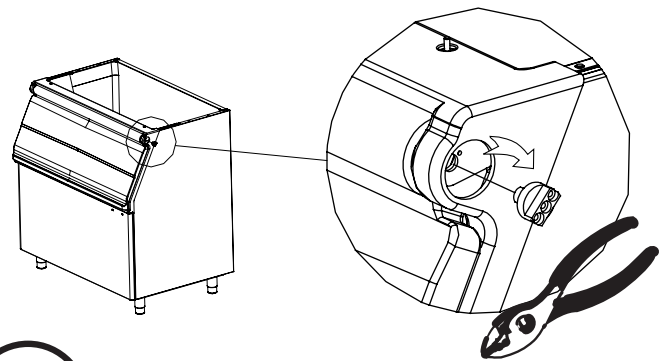
**ENLEVEMENT DE LA PORTE**  
**TÜR ENTFERNUNG**



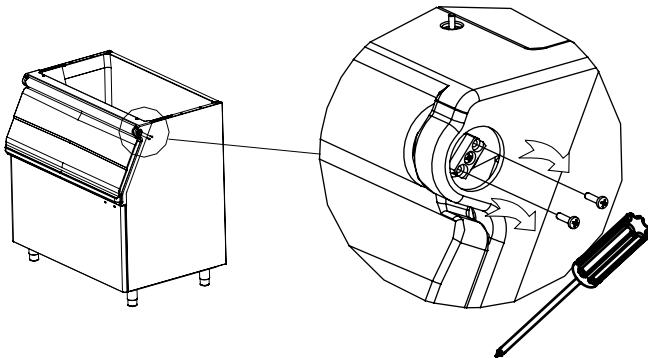
**1**



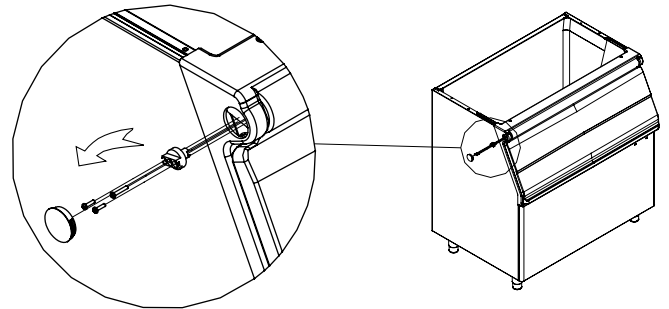
**4**



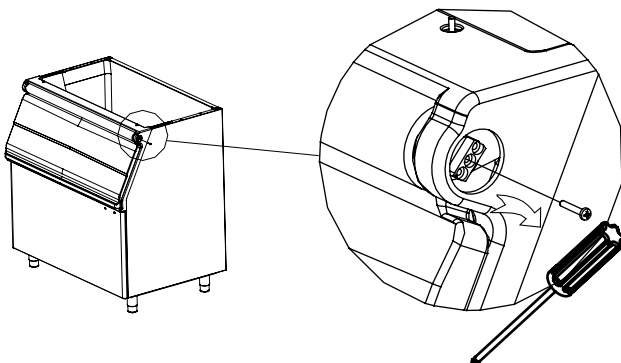
**2**



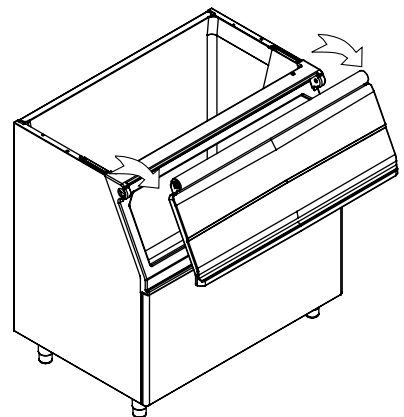
**5**



**3**



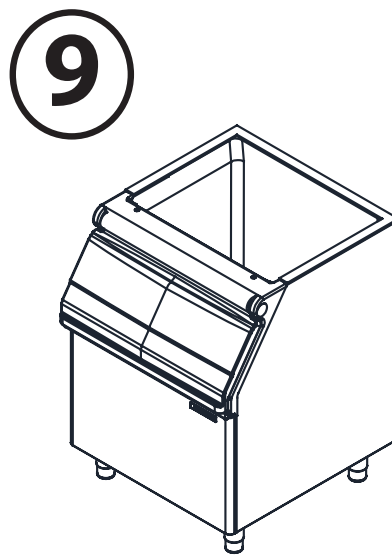
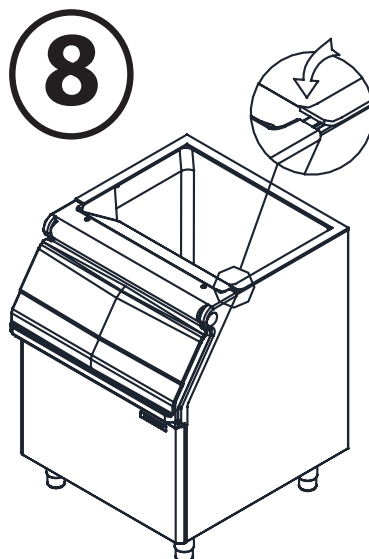
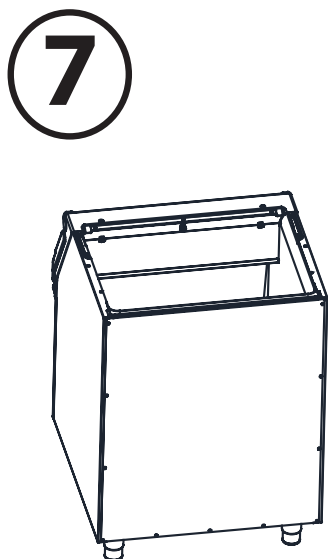
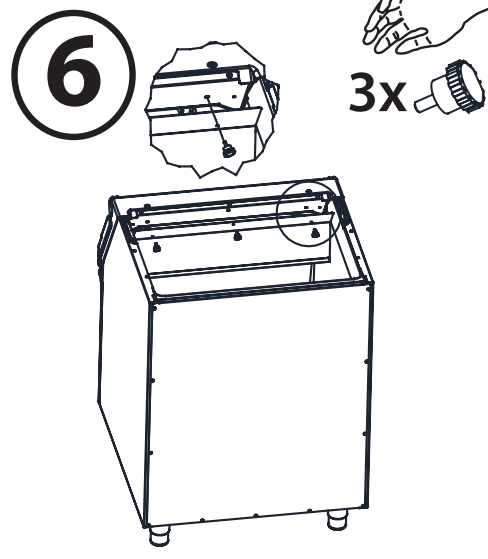
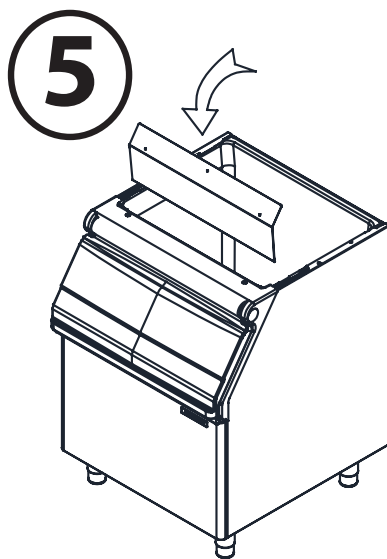
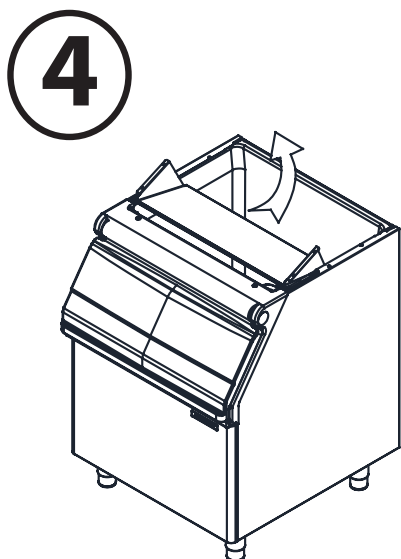
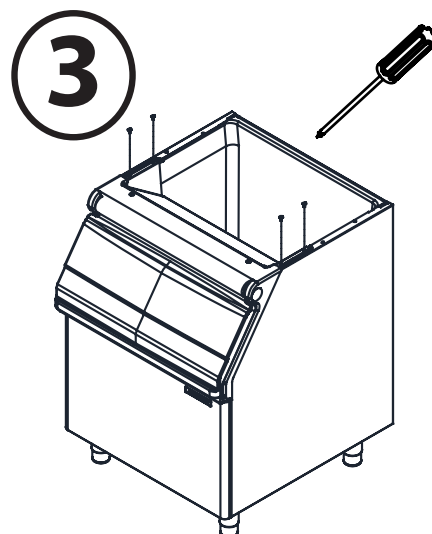
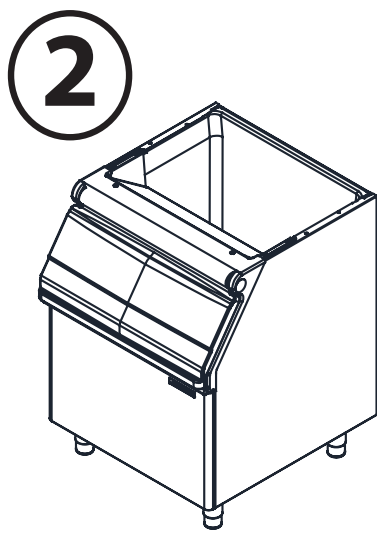
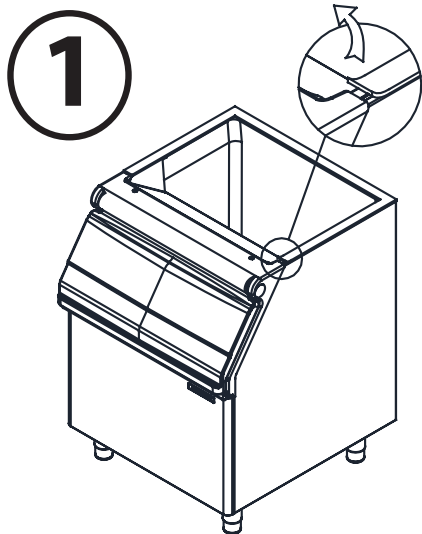
**6**

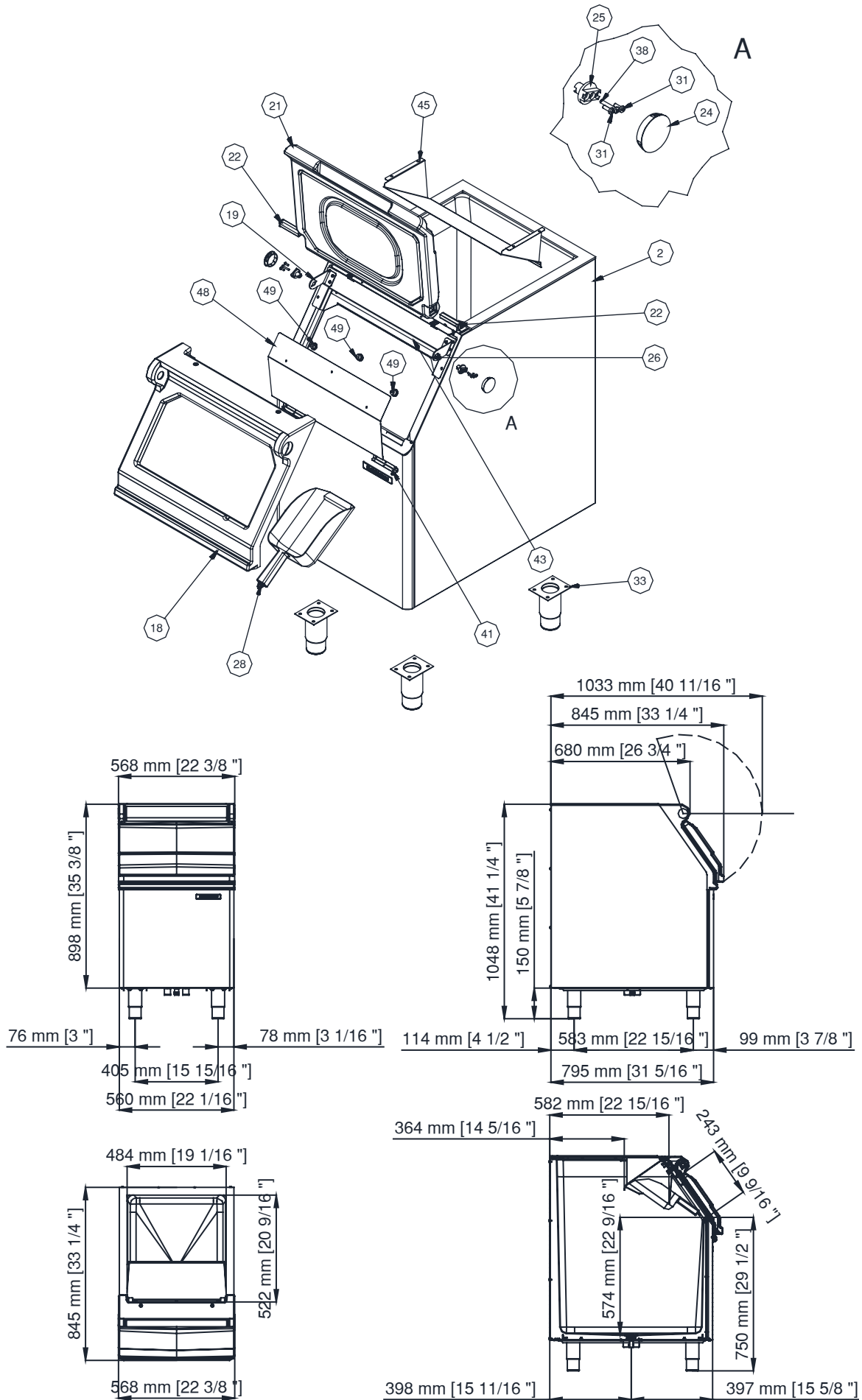


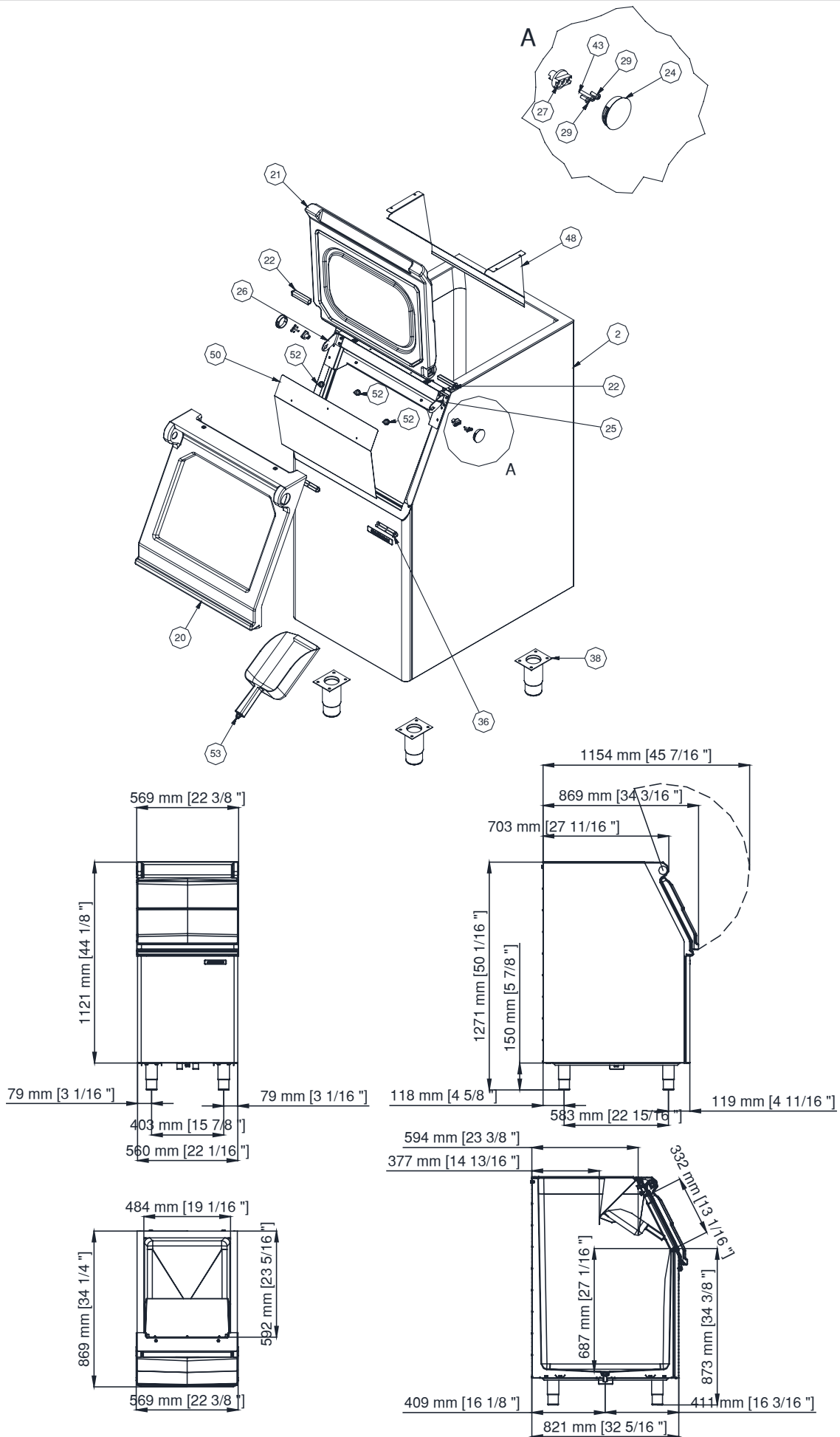


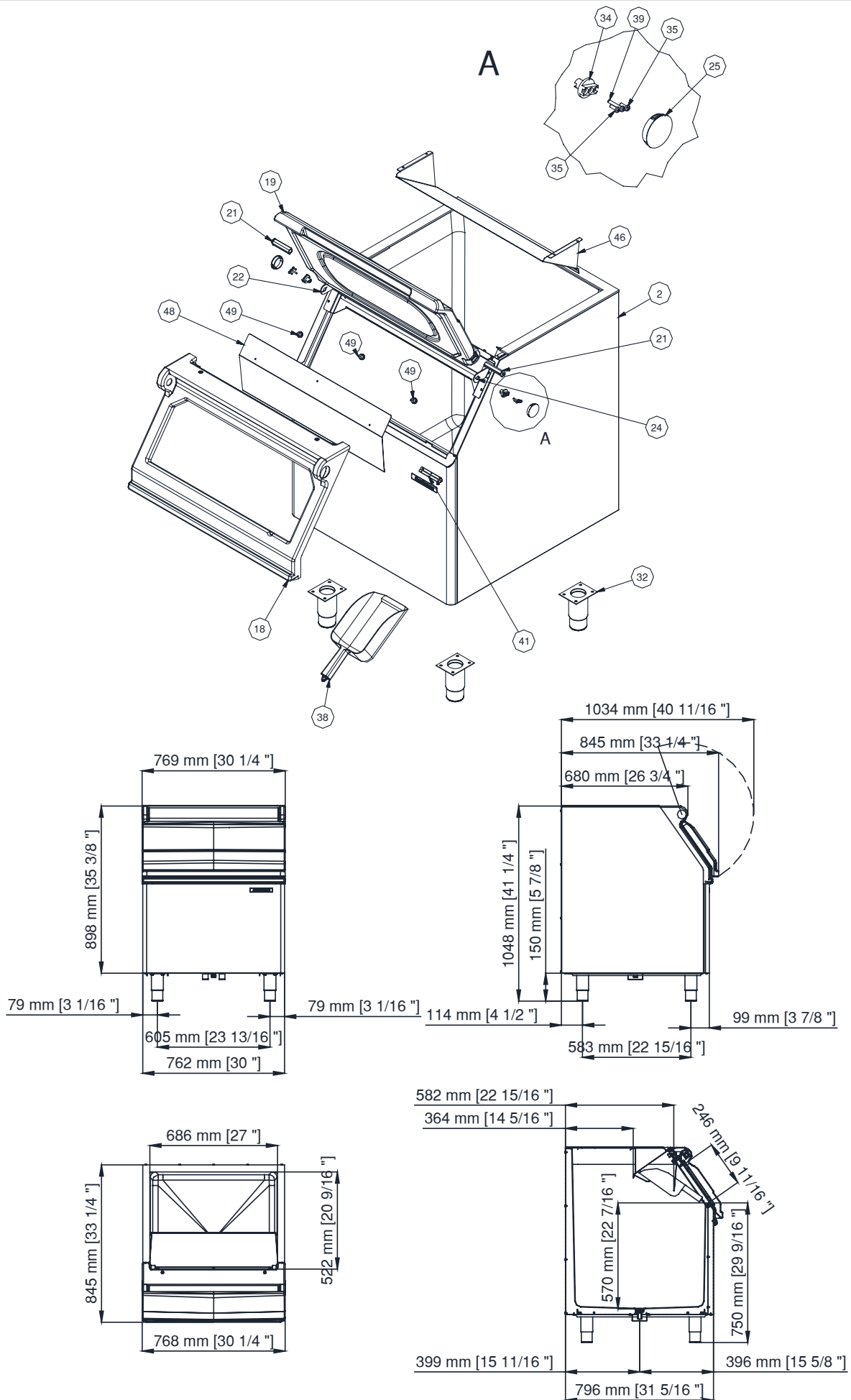
**CAMBIO DEFLETTORE GHIACCIO DEPOSITO**  
**CHANGE DEFLECTOR ICE SLOPE BIN**

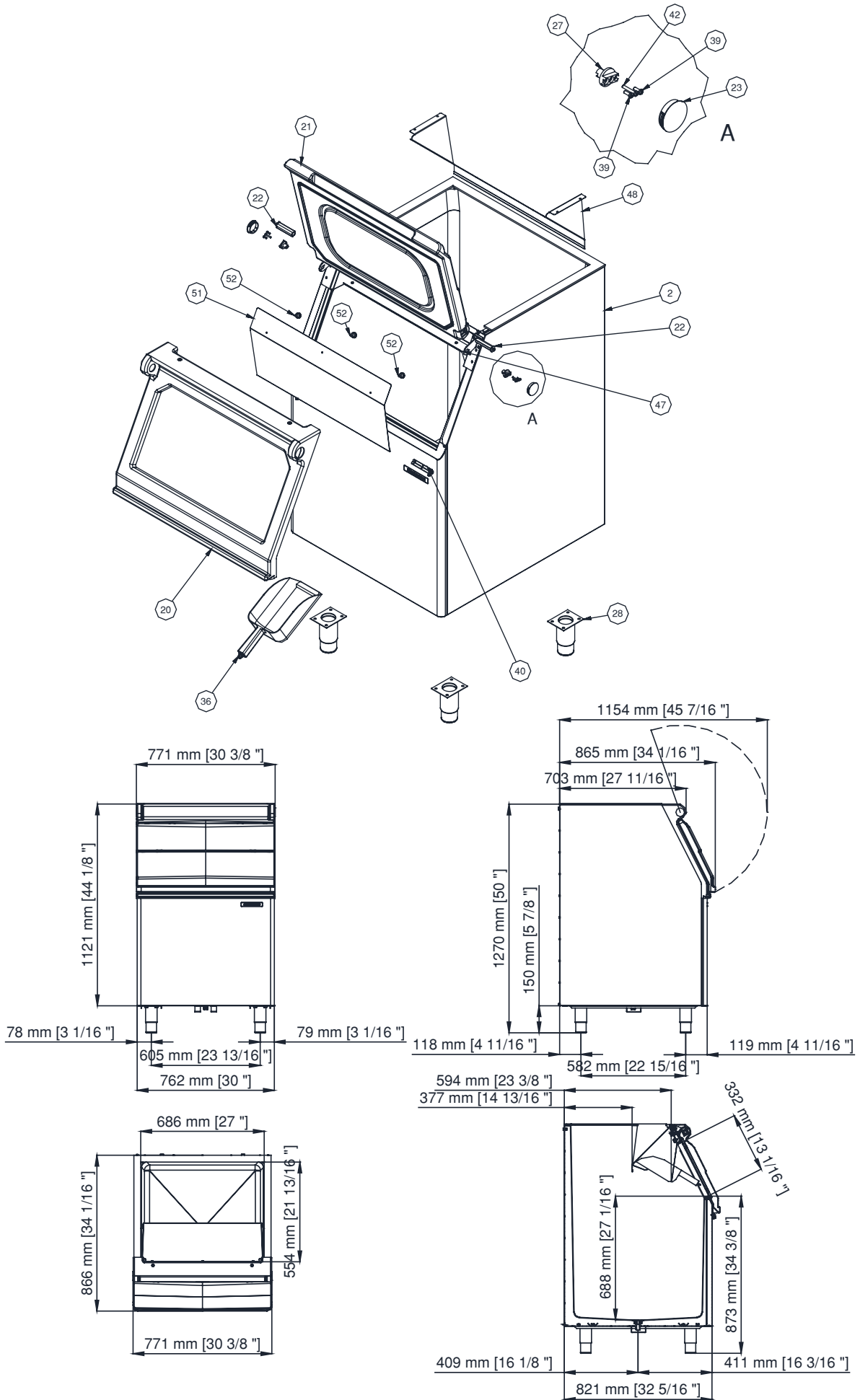
**ONLY FOR PRODIGY ICE MACHINE**

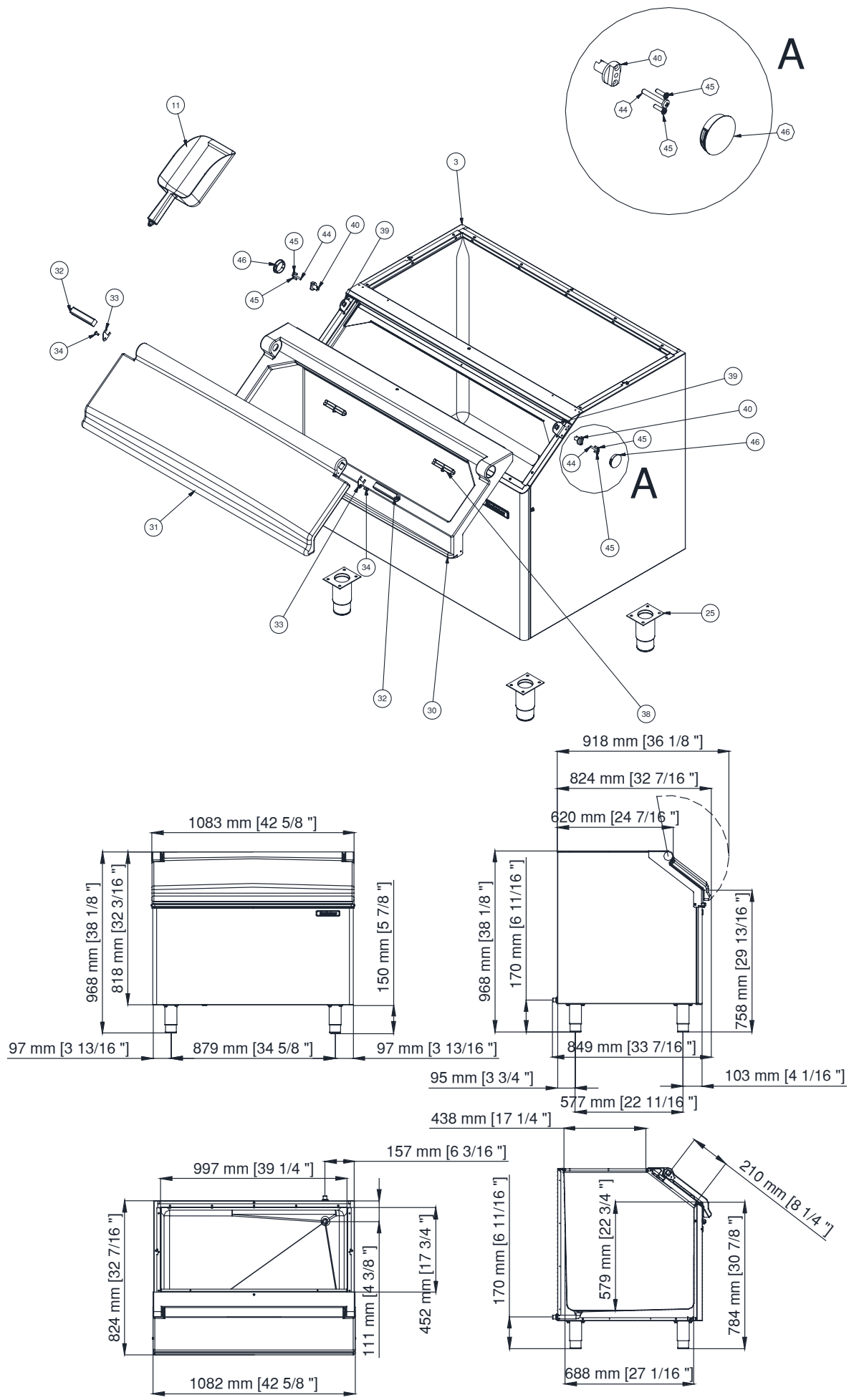


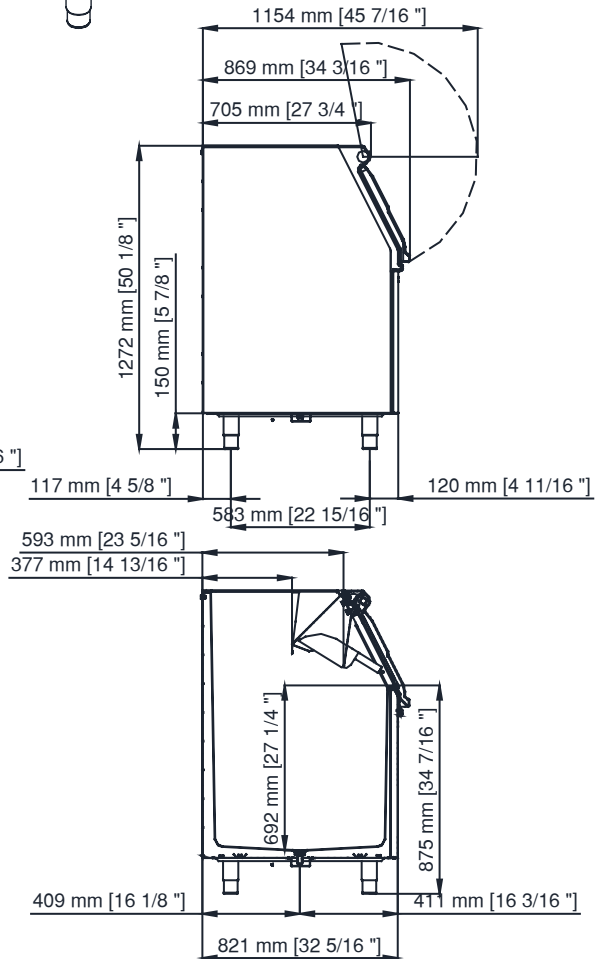
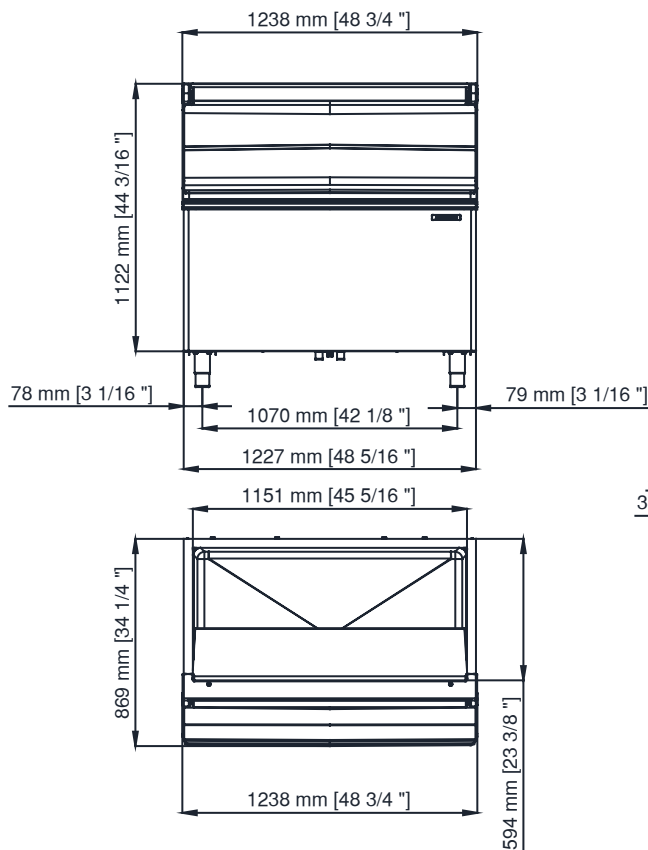
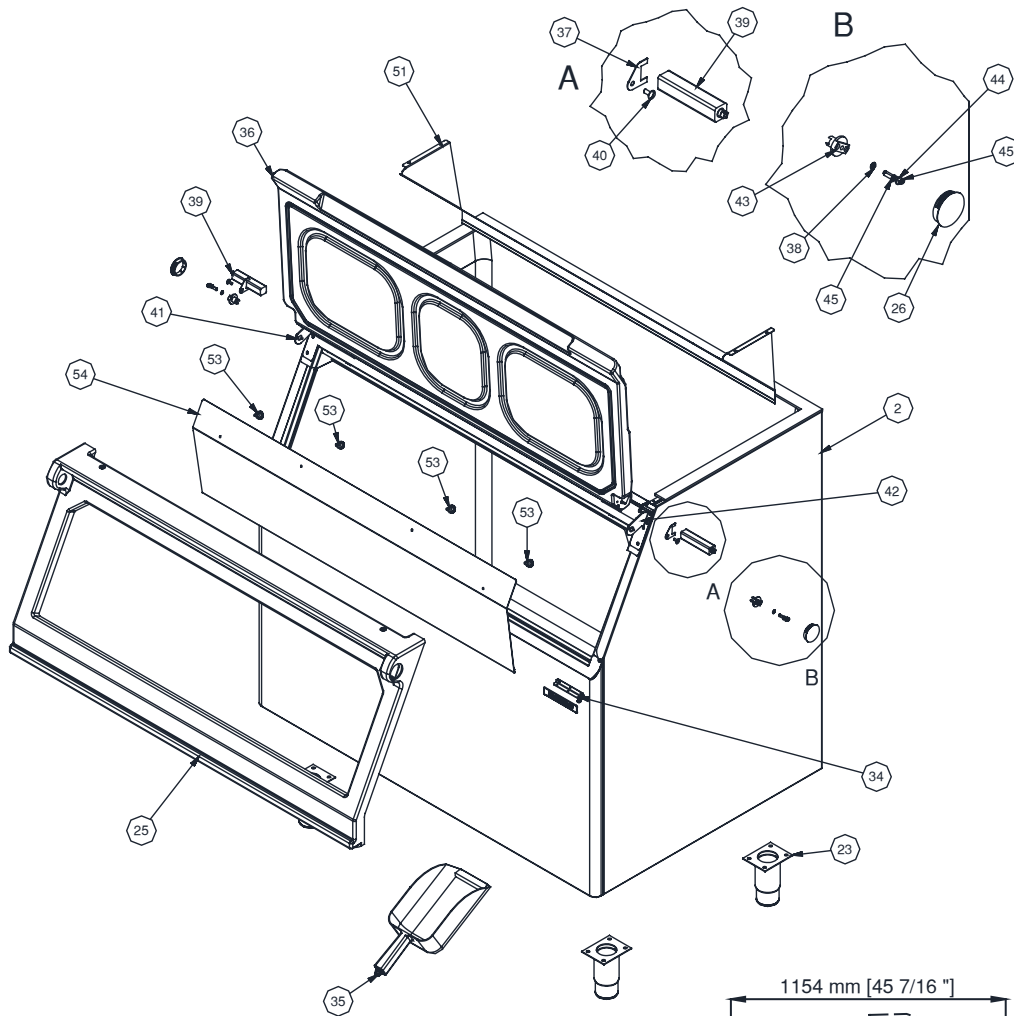


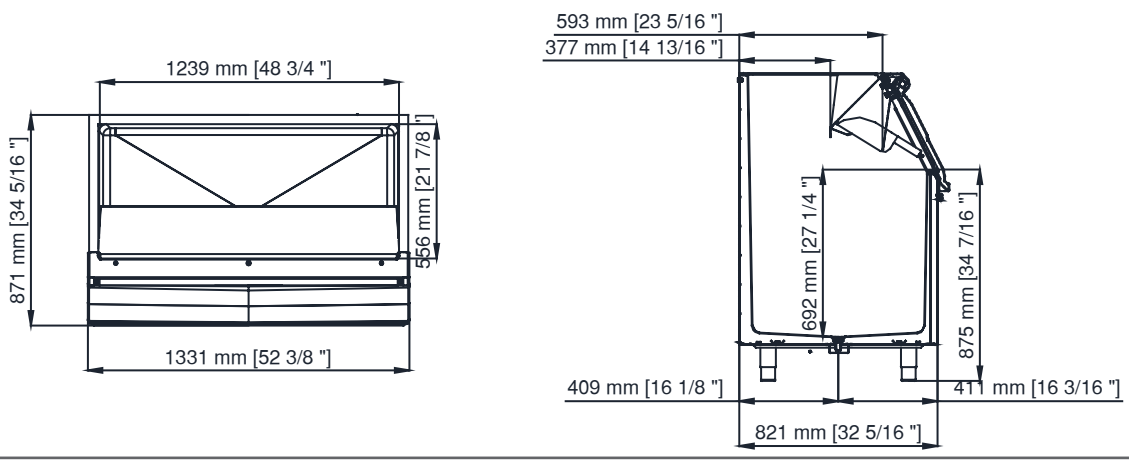
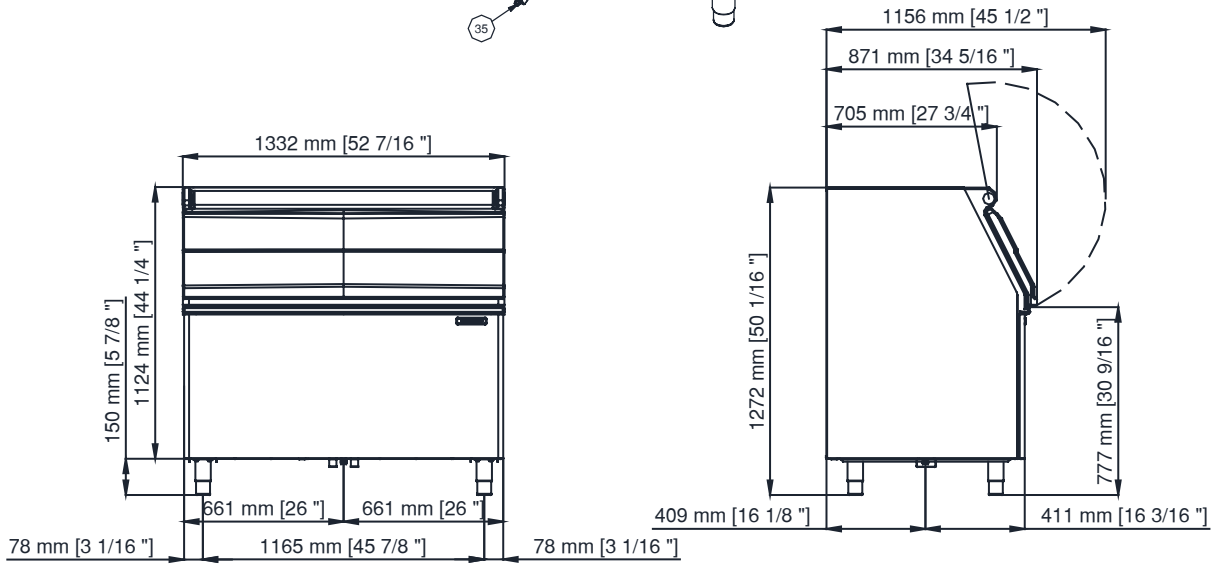
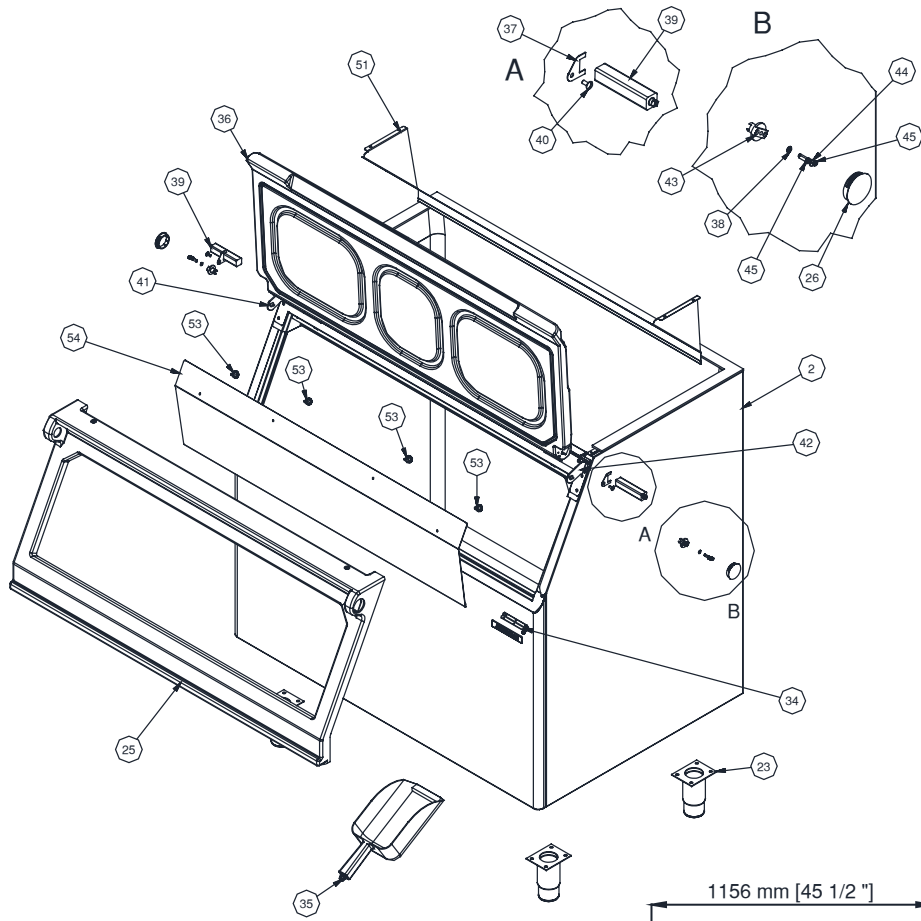










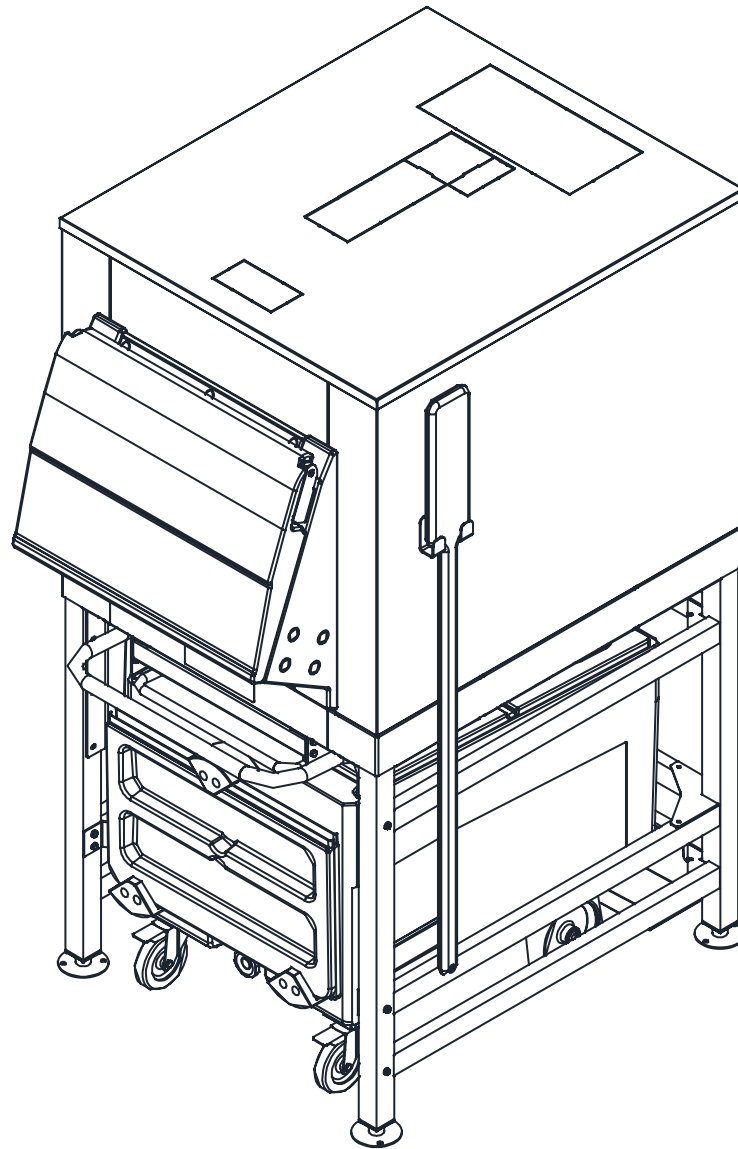






# SIS-Ice Transport **System**

Installazione e dimensioni - Installation & Dimension





## SIS300

95760503/0



## SIS700

95761003/0



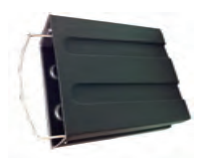
## SIS1350

95761503/0



## CART

95760000/0



## TOTES

95006100/0 (kit)

### Storage Capacity

Internal Volume	0.279 m <sup>3</sup>	0.648 m <sup>3</sup>	1.249 m <sup>3</sup>	0.148 m <sup>3</sup>	0.016 m <sup>3</sup>
Max Ice Capacity (Application)	137 (210 with Cart) kg	318 (391 with Cart) kg	613 (759 with 2 Cart) kg	73 kg	7.8 kg
Max Ice Capacity (AHRI)	107 (180 with cart )kg	249 (322 with cart ) kg	481 (627 with 2 cart )kg	57 kg	6,2 kg

(Application) capacity is calculated on 90% of total volume in the cubic feet x 34 lb/ft<sup>3</sup> - 545 kg/m<sup>3</sup>  
 (AHRI) capacity is calculated on 80% of total volume in the cubic feet x 30 lb/ft<sup>3</sup> - 481 kg/m<sup>3</sup>

### Dimensions

Width	880 mm	880 mm	1748 mm	636 mm	350 mm
Height with legs	1332 mm	1802 mm	1802 mm	898 mm	390 mm
Depth	1020 mm	1020 mm	1020 mm	1088 mm	175 mm
Max Depth	2200 mm	2200 mm	2200 mm	2200 mm	-
Net Weight/Gross Weight	120 kg / 162 kg	161 kg / 198 kg	347 kg / 390 kg	32 kg / -- kg	1,55 kg
Shipment dim. WxDxH (mm)	1130 x 1325 x 1495	1130 x 1330 x 1070	1130 x 1330 x 1940	990 x 760 x 930	430 x 740 x 570 (kit 6 Totes)

### SIMAG Models

RC200  
95770503/0

### RC300

95771003/0

### RC600

95771503/0

### RC/CART

95760000/N

### TOTES

95006100/0 (kit)

### ICEMATIC Models

DR140  
95780503/0

### DR320

95781003/0

### DR620

95781503/0

### ICECART

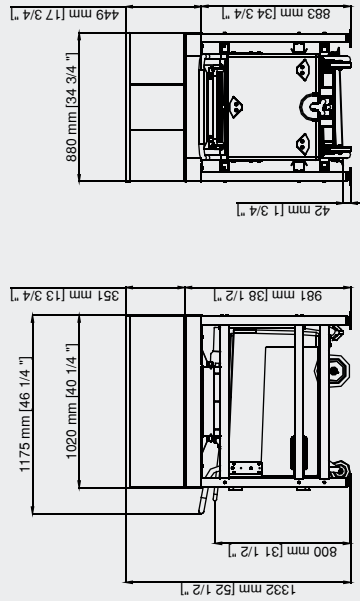
95760000/N

### TOTES

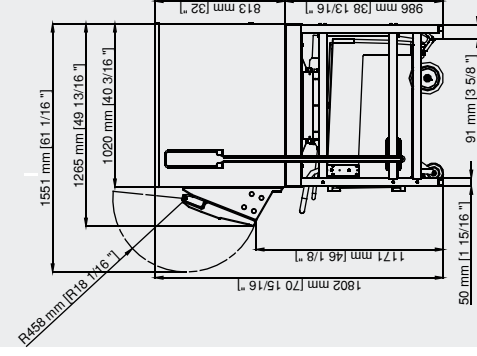
95006100/0 (kit)

### Drawings

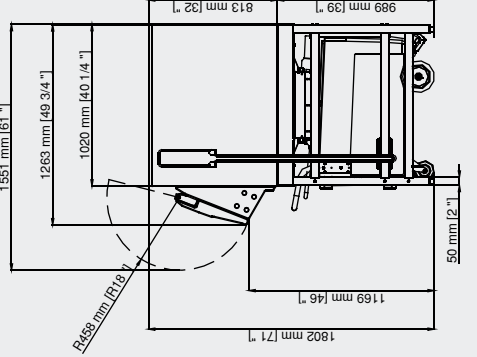
## SIS300



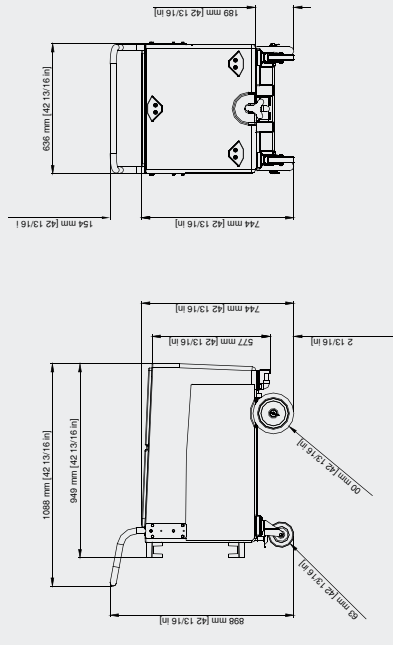
## SIS700



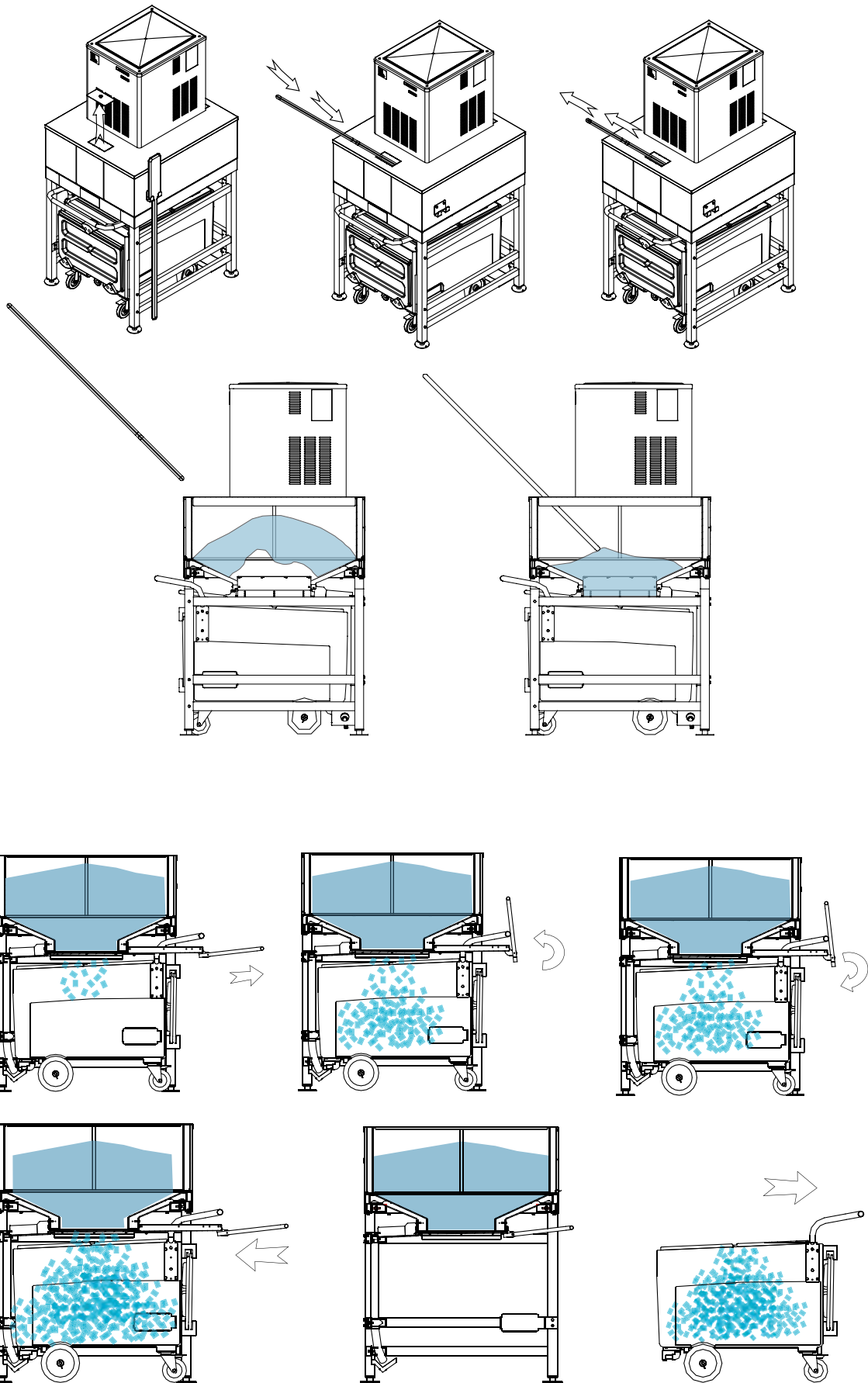
## SIS1350



## CART

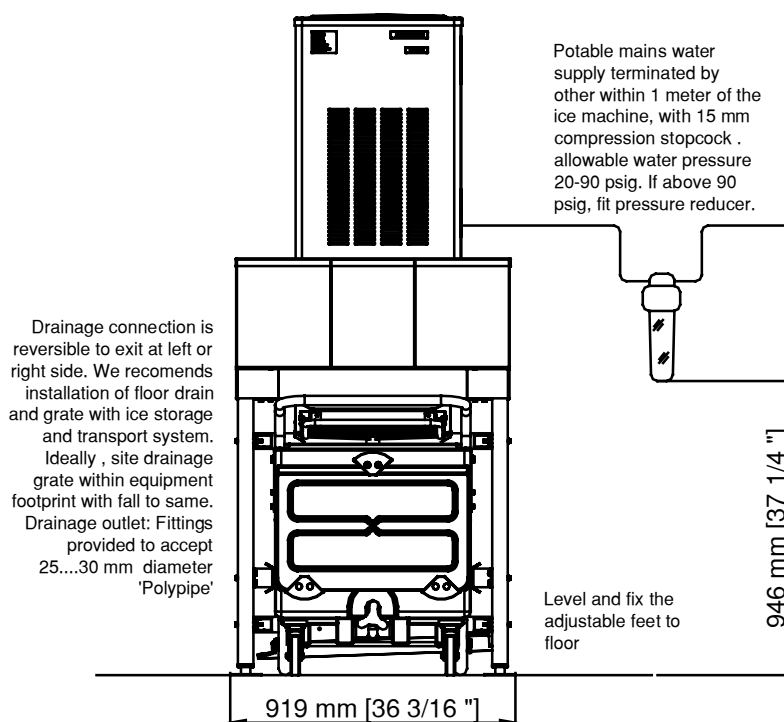
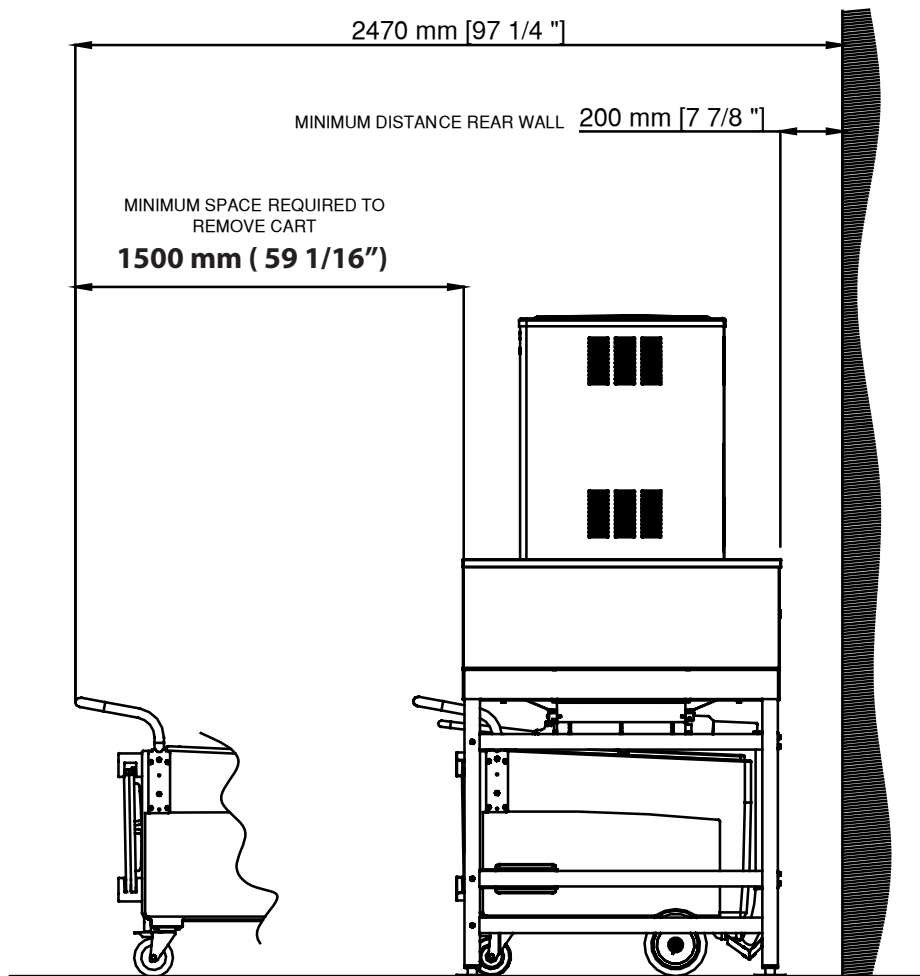


# SIS 300 - scarico ghiaccio - ice discharge



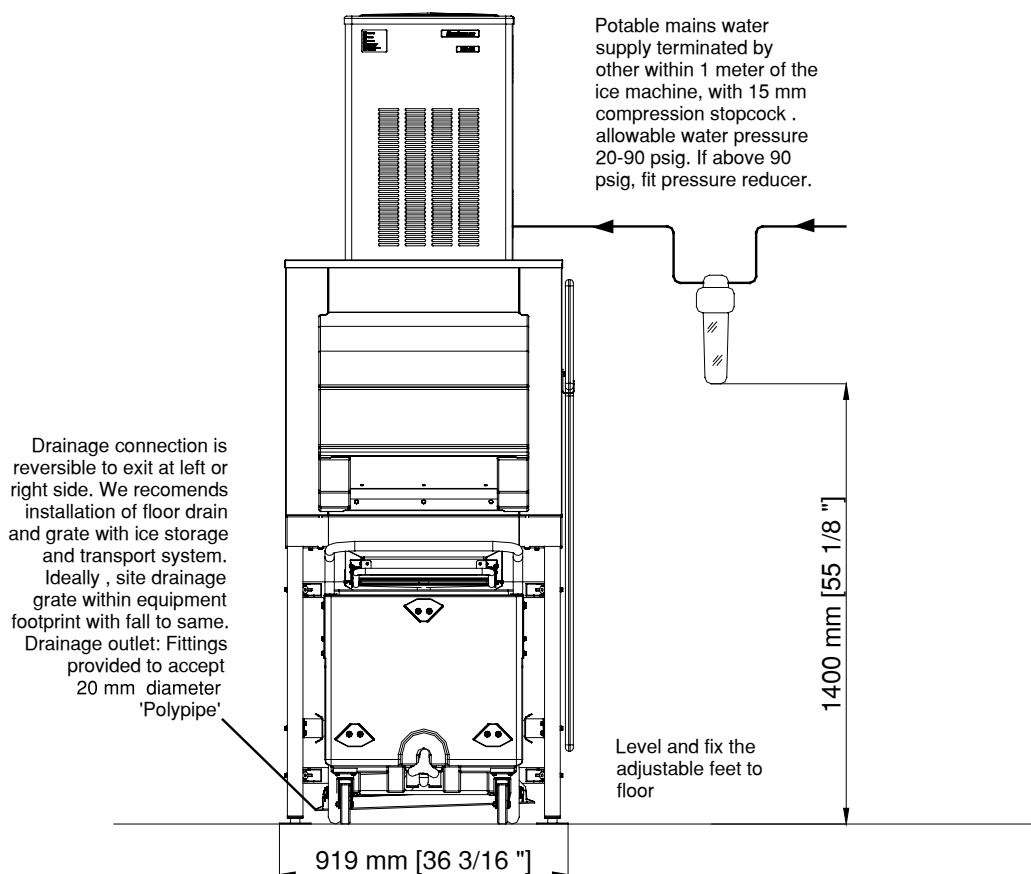
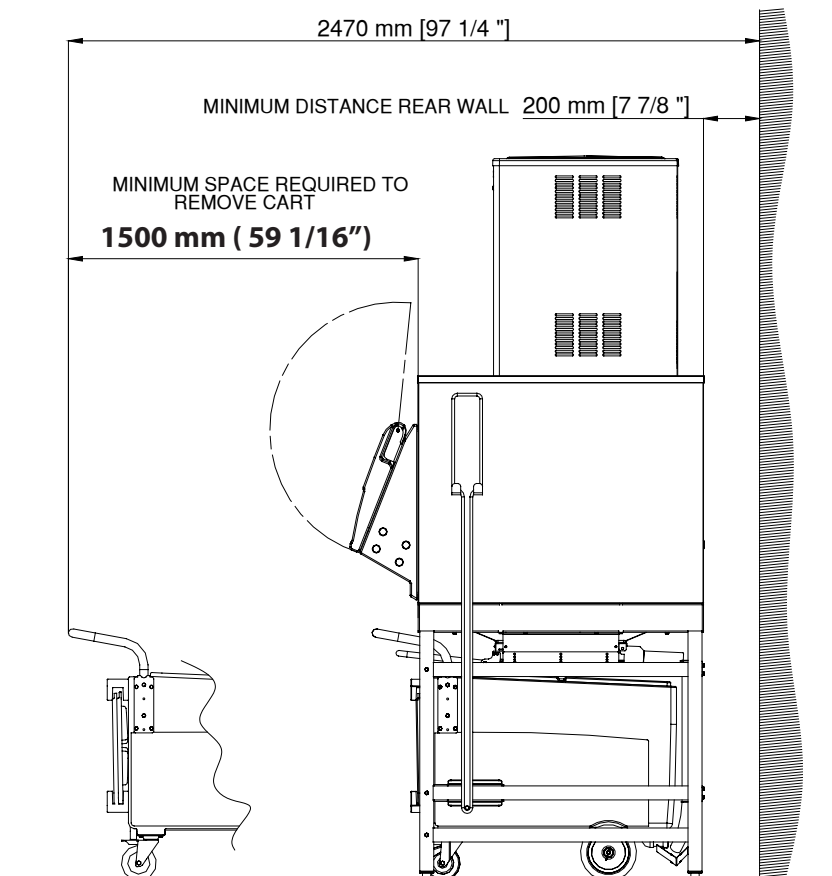
# SIS 300

## Installazione - Installation Layout



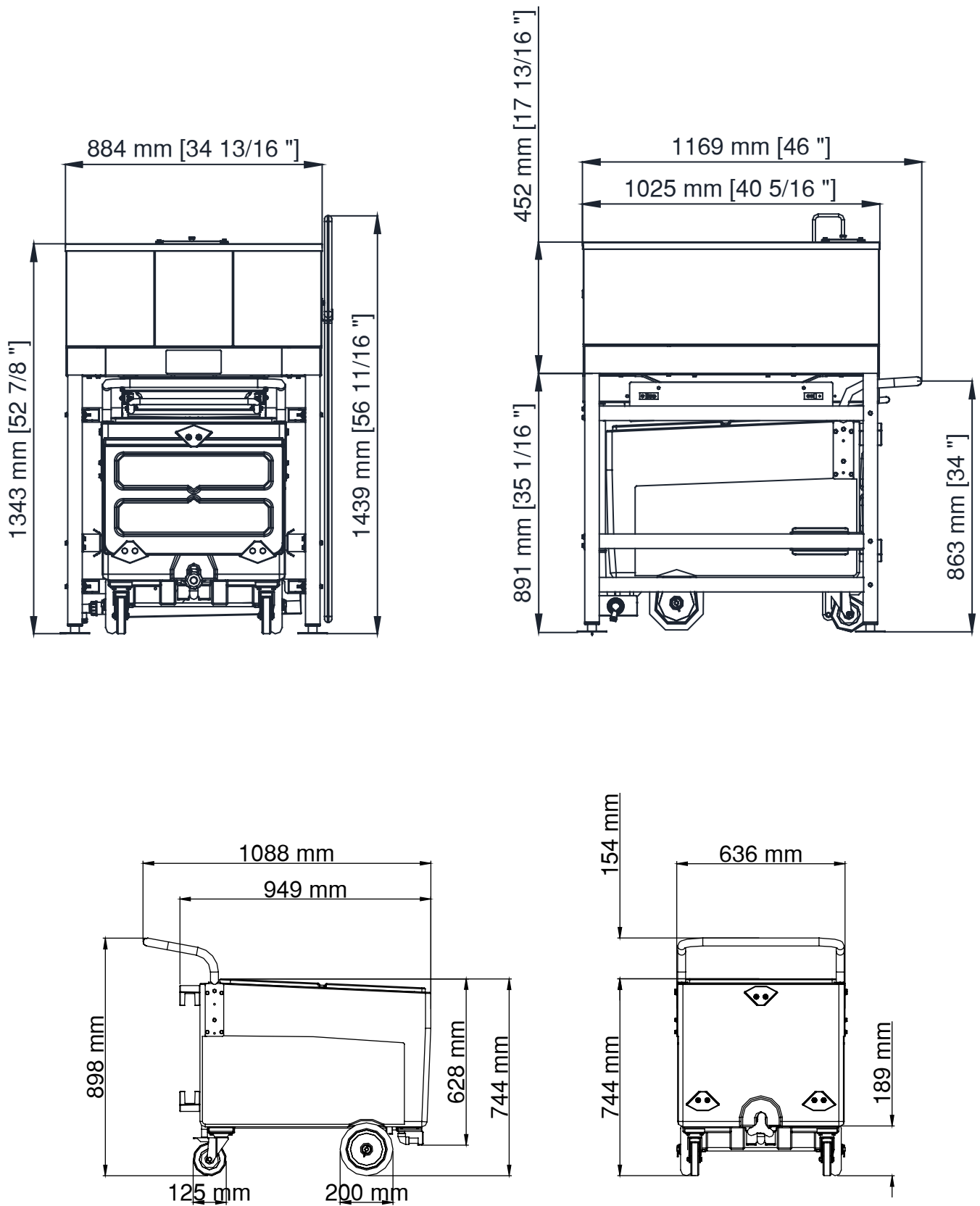
# SIS 700-1350

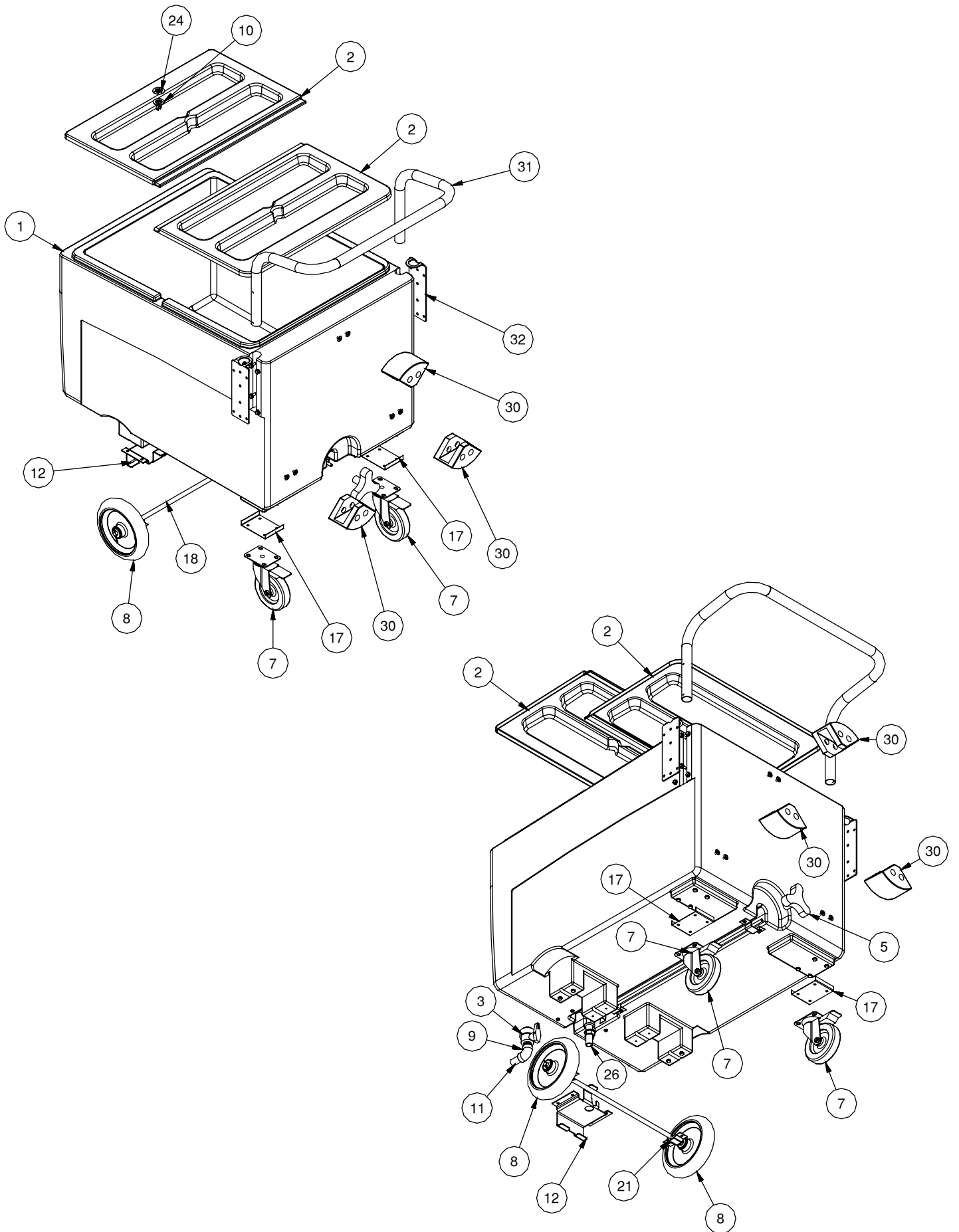
## Installazione - Installation Layout

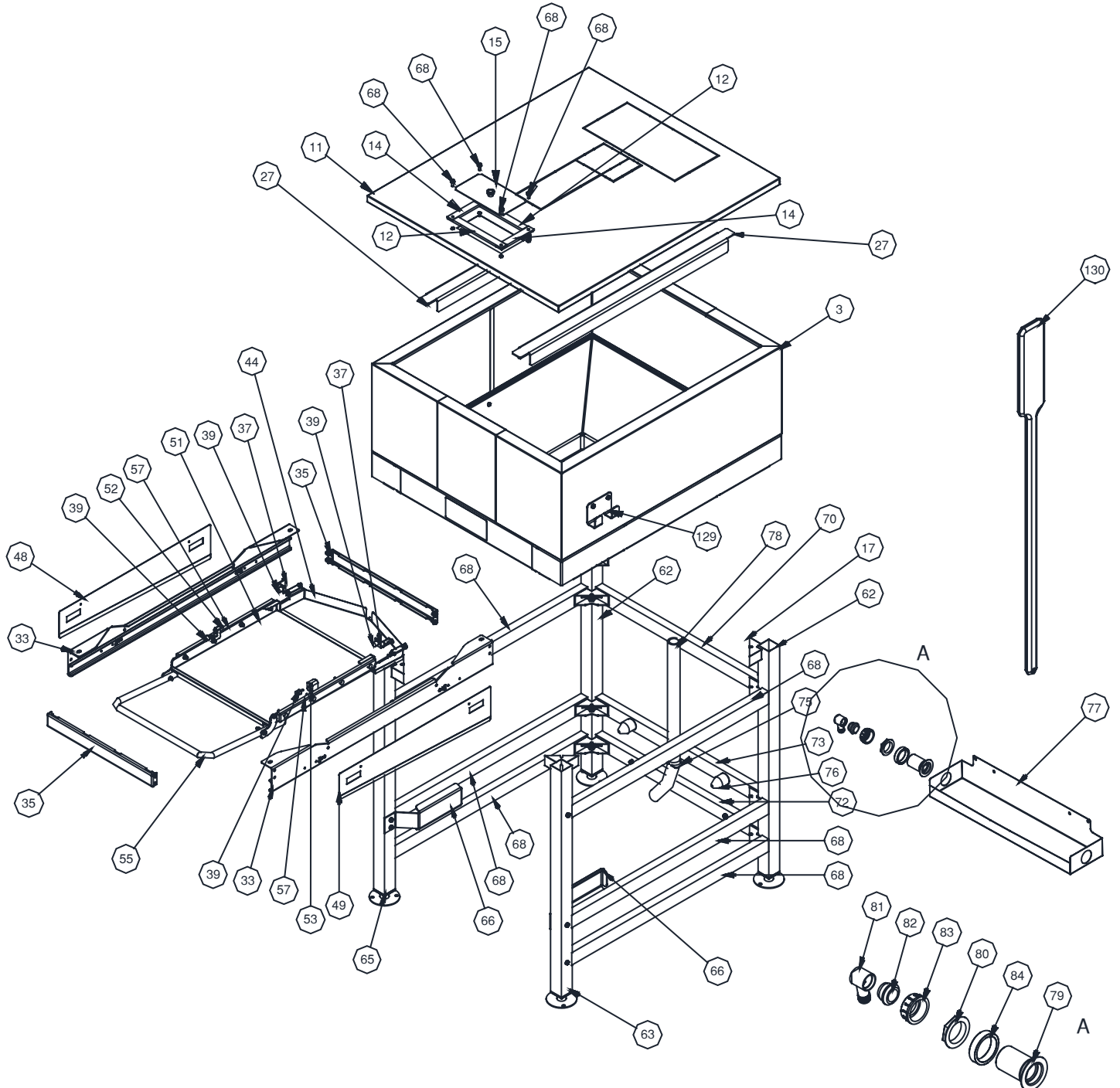


# SIS 300

## Dimensioni - Dimensions



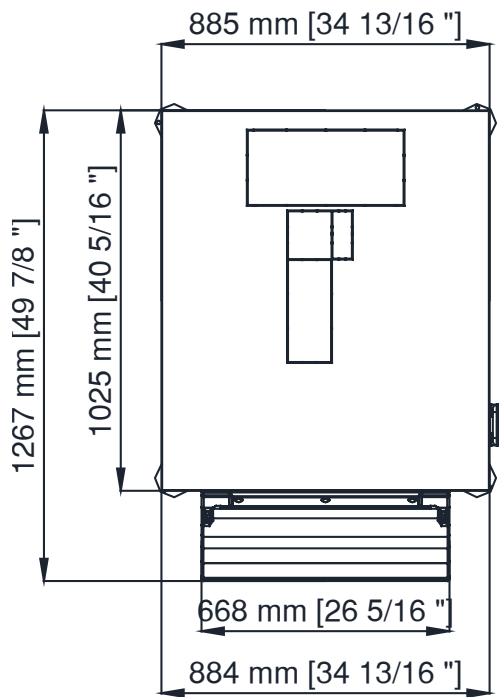
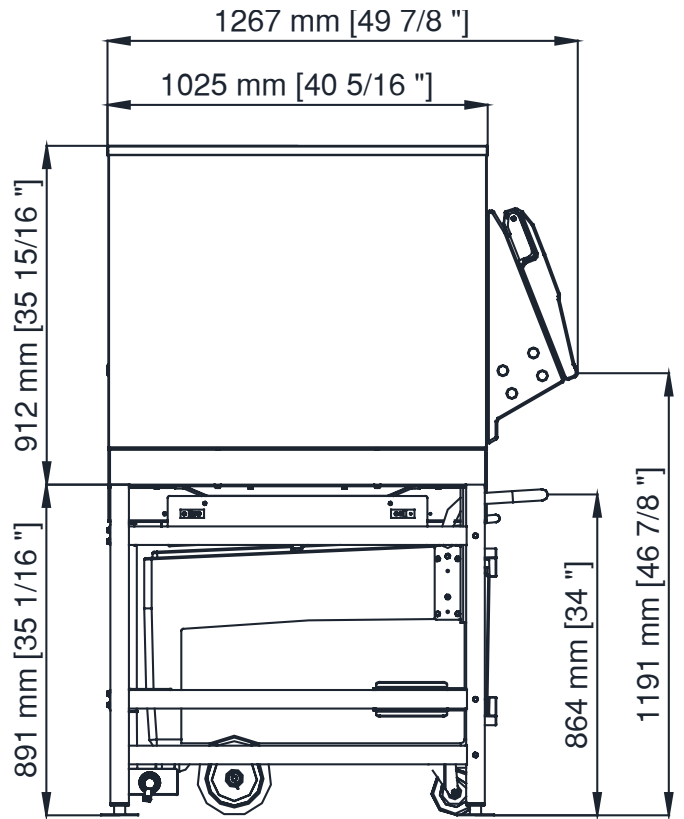
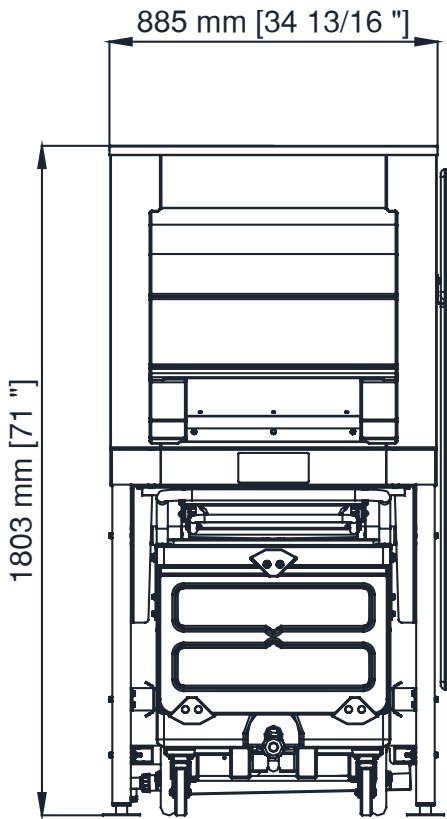


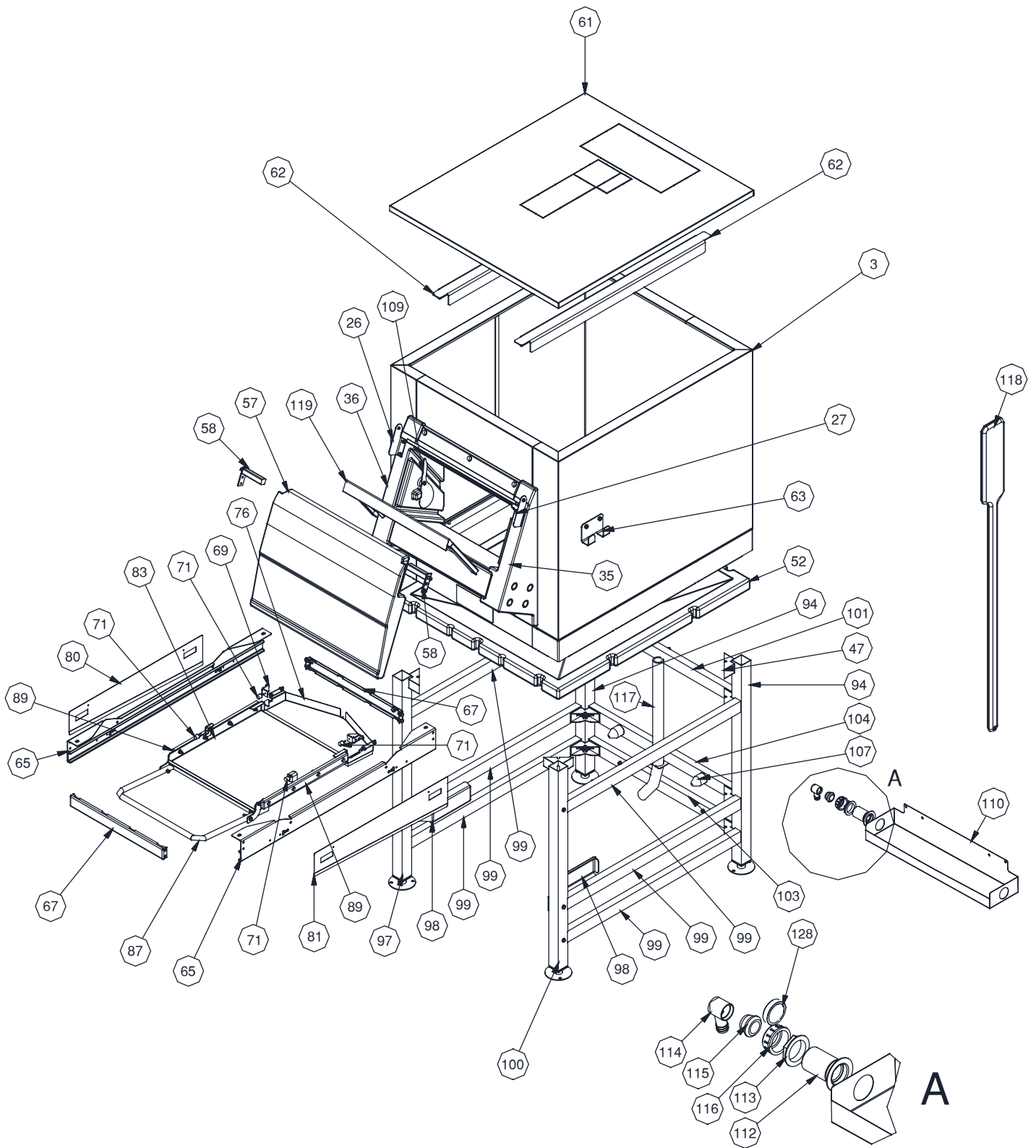




# SIS 700

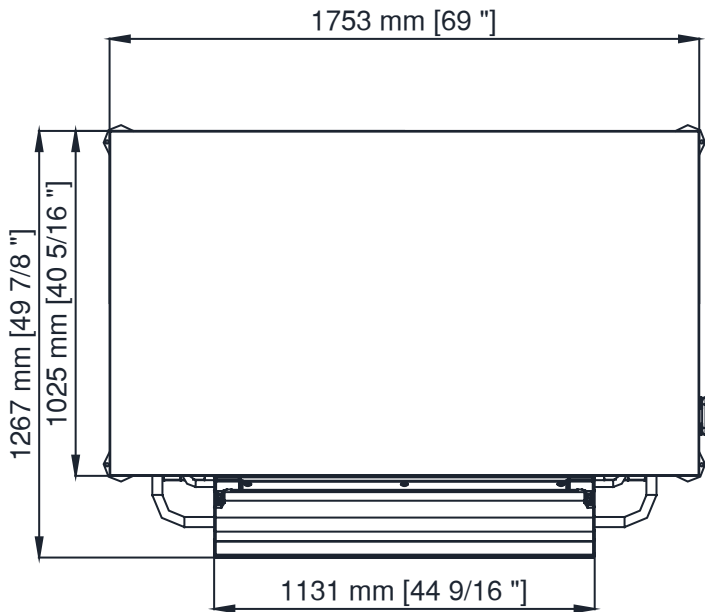
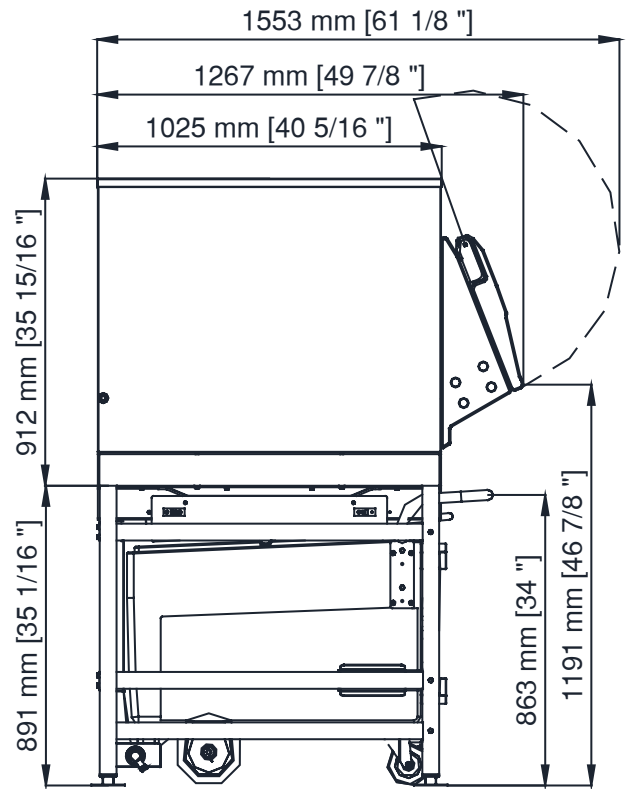
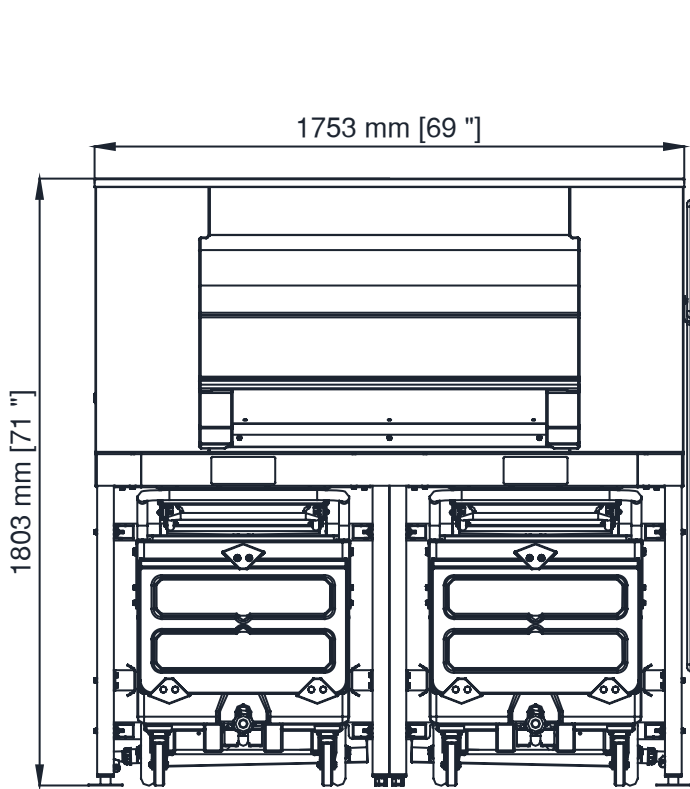
## Dimensioni - Dimensions

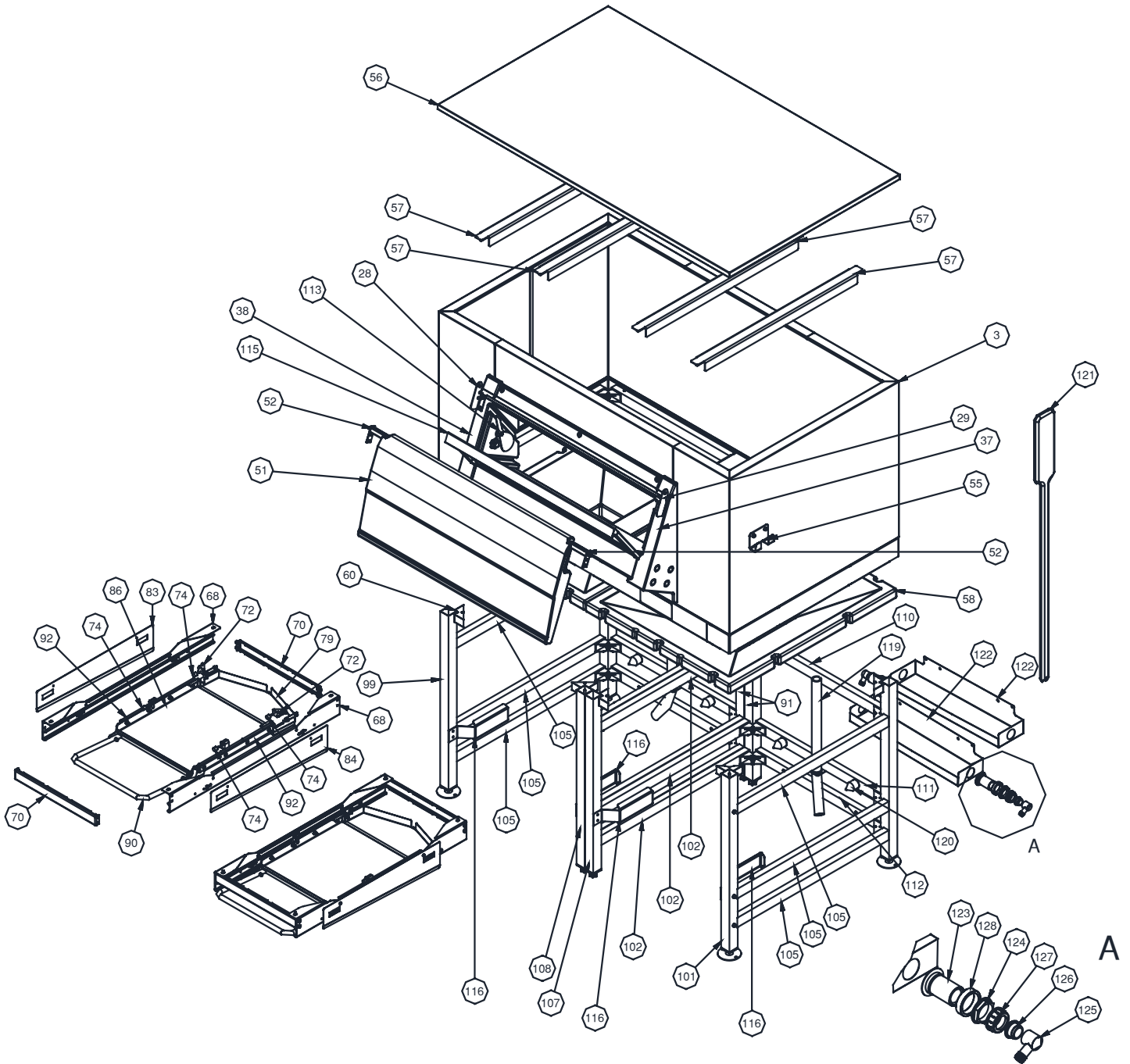




# SIS 1350

## Dimensioni - Dimensions



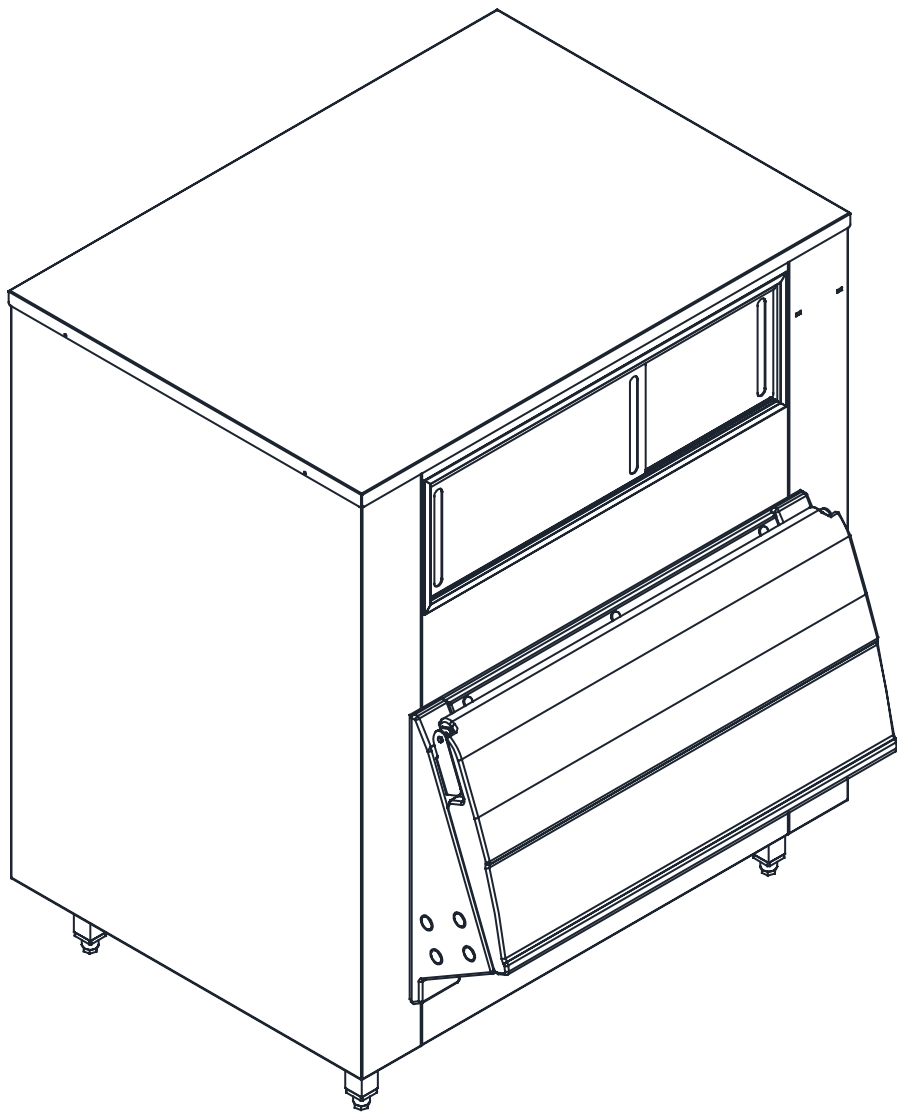




UBH

---

Installazione e dimensioni - Installation & Dimension





## UBH1100

95762003/0

1,129 m<sup>3</sup>

553 kg

434 kg

(Application) capacity is calculated on 90% of total volume in the cubic feet x 34 lb/ft<sup>3</sup> - 545 kg/m<sup>3</sup>  
(AHRI) capacity is calculated on 80% of total volume in the cubic feet x 30 lb/ft<sup>3</sup> - 481 kg/m<sup>3</sup>

48"

1220 mm

1428 (1273) mm

1125 (880) mm

1410 mm

141.5 kg / 164kg

1270 X 1180 x h 1590



## UBH1600

95762503/0

1,655 m<sup>3</sup>

812 kg

637 kg

60"

1524 mm

1735 (1585) mm

1125 (880) mm

1410 mm

206 kg / 230 kg

1570 X 1180 X H1890



## UBH2250

95762603/0

2,178 m<sup>3</sup>

1068 kg

838 kg

72"

1830 mm

1290 (1140) mm

1470 (1220) mm

1750 mm

212 kg / 248 kg

1880 X 1525 x h 1450

### Storage Capacity

Internal Volume

Max Ice Capacity (Application)

Max Ice Capacity (AHRI)

### Dimensions

Outside Width

Outside height with legs (no legs)

Total Depth (storage depth)

Max Depth

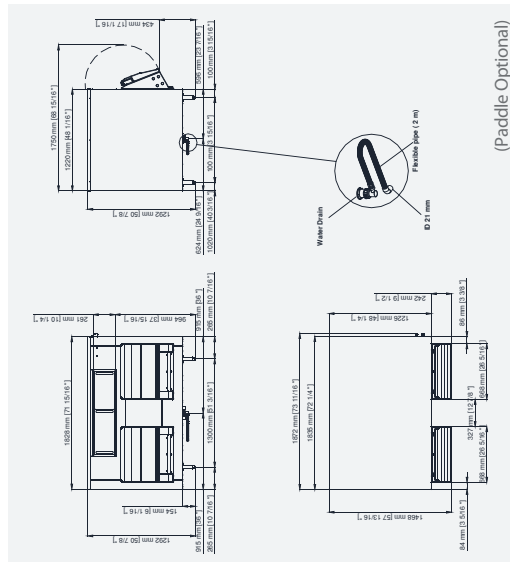
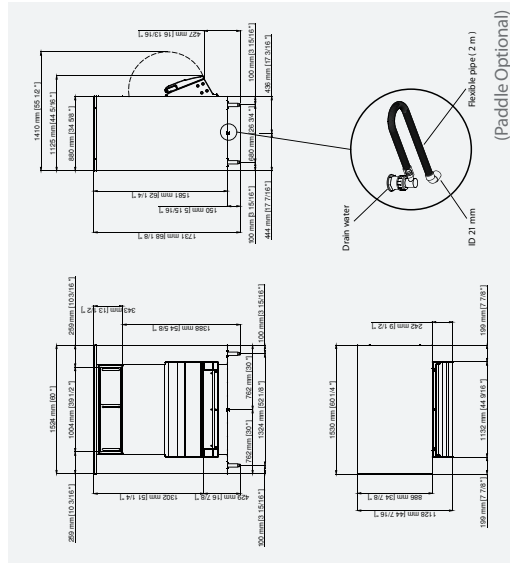
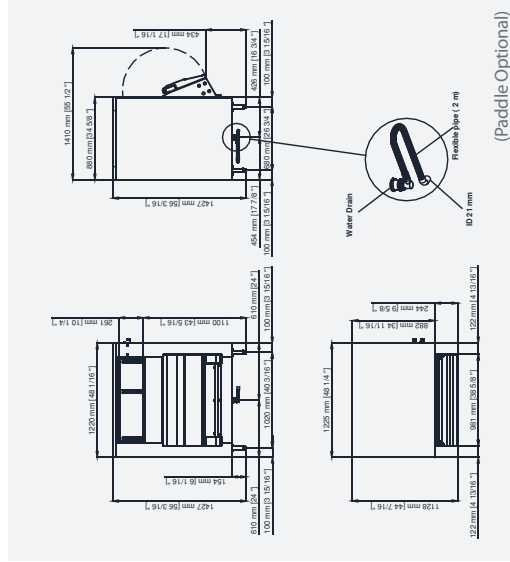
Net Weight/Gross Weight

Shipment dim. WxDxH (mm)

### SIMAG Models

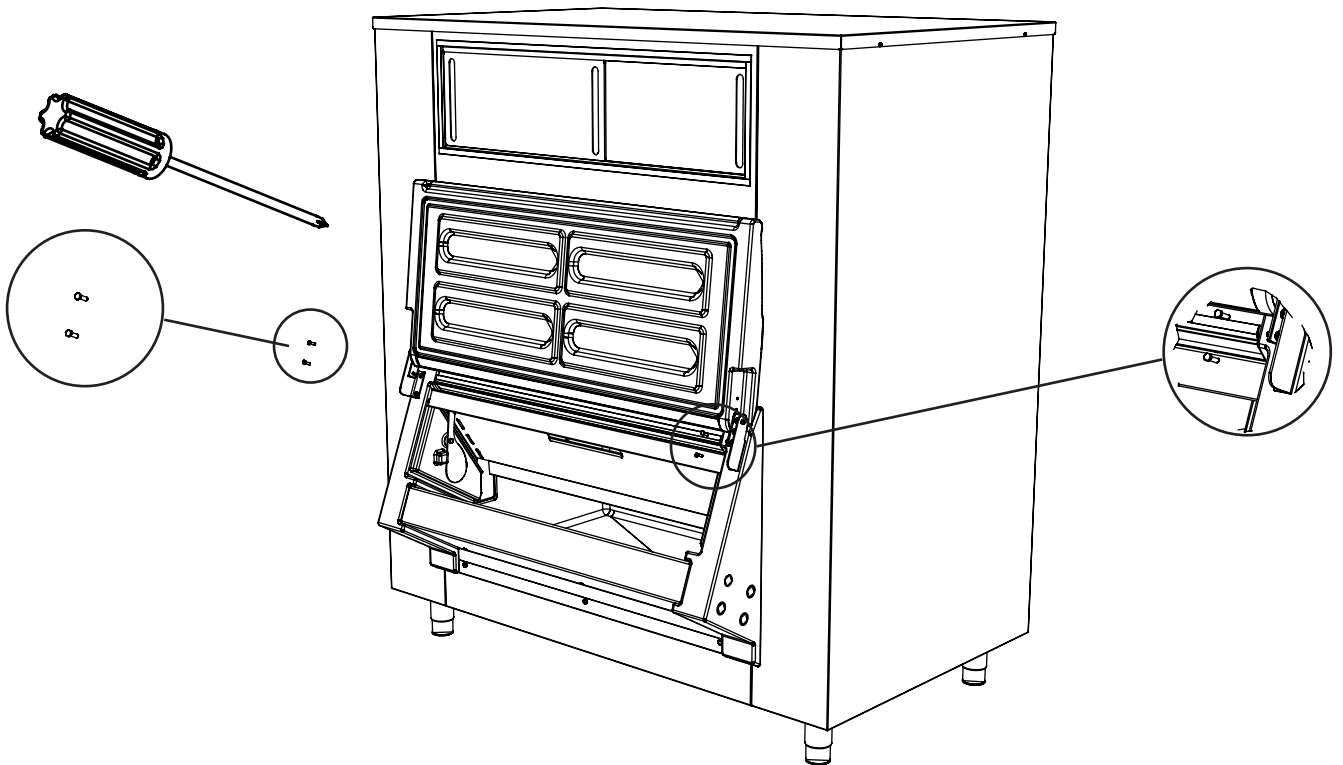
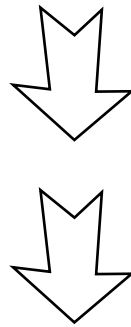
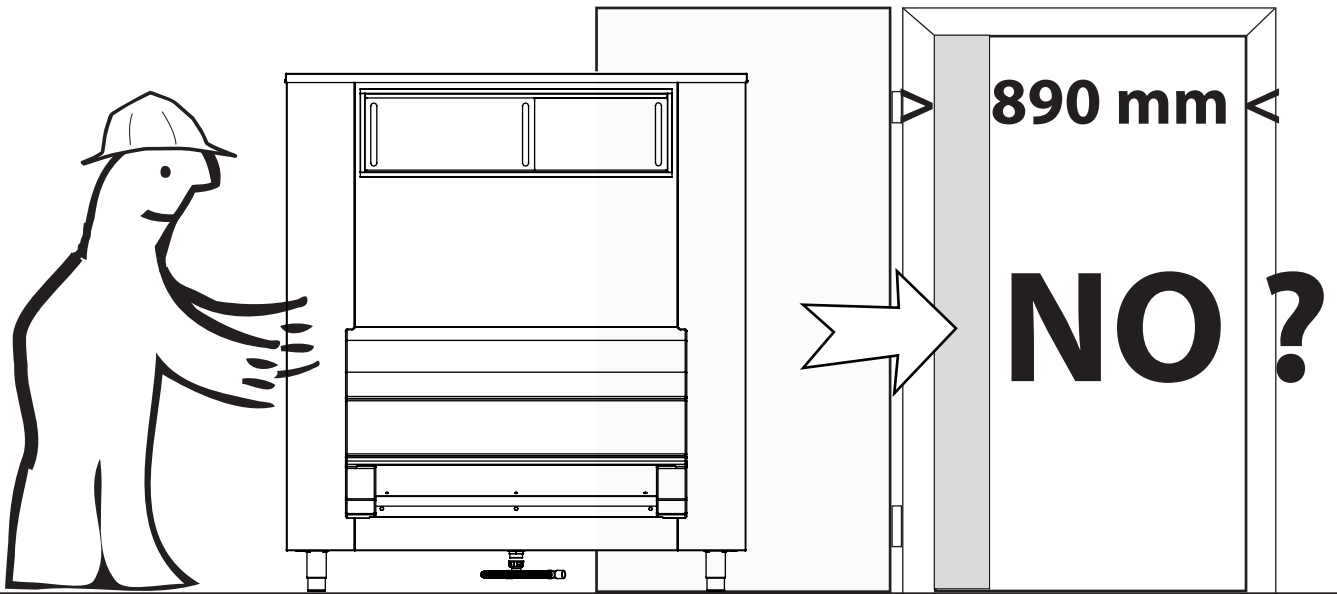
### ICEMATIC Models

### Drawings

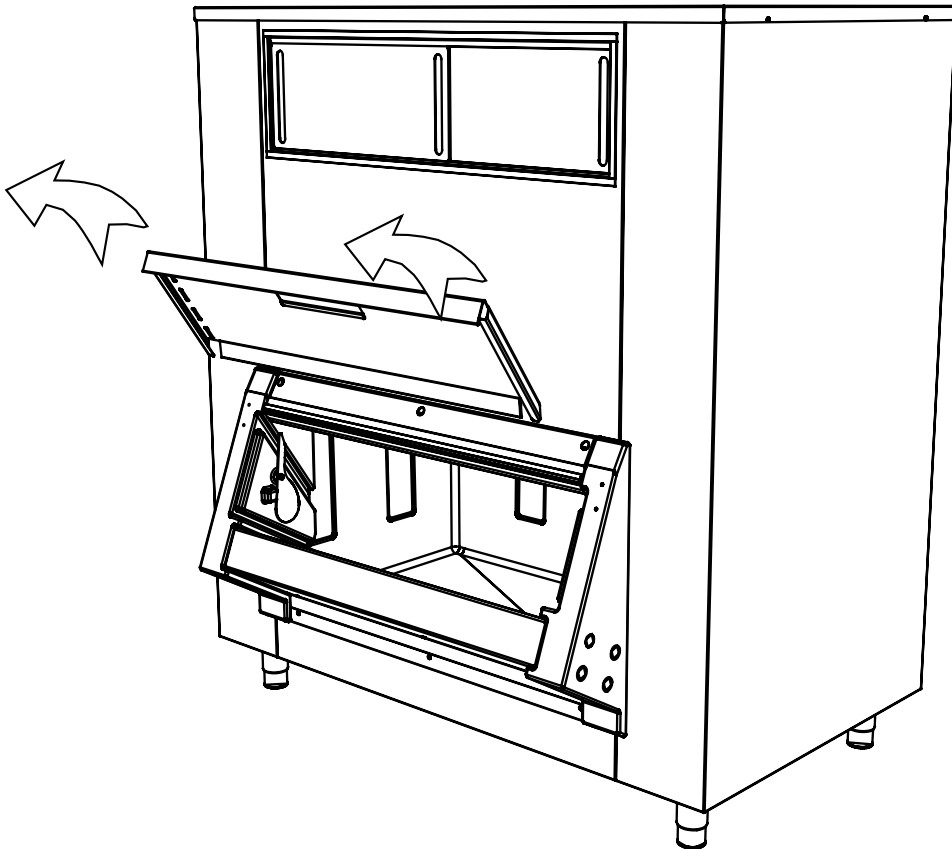
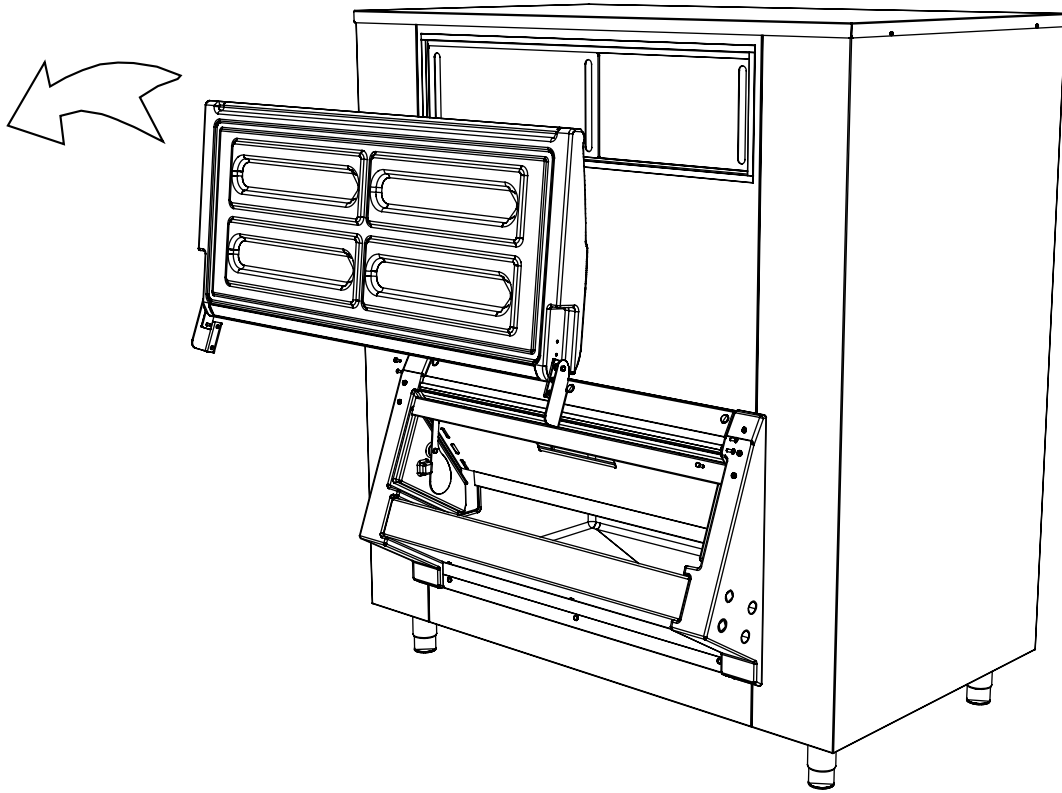


(\*) Forecast Data

## Installazione - Installation Layout

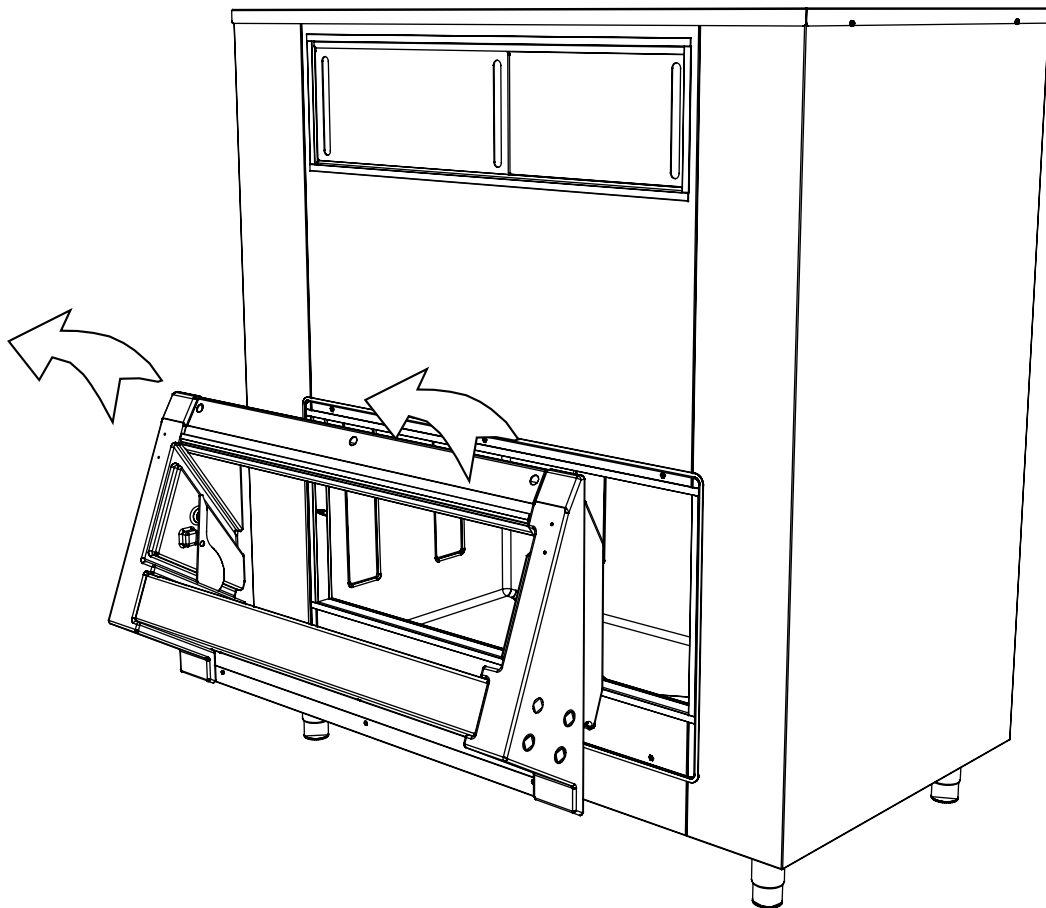
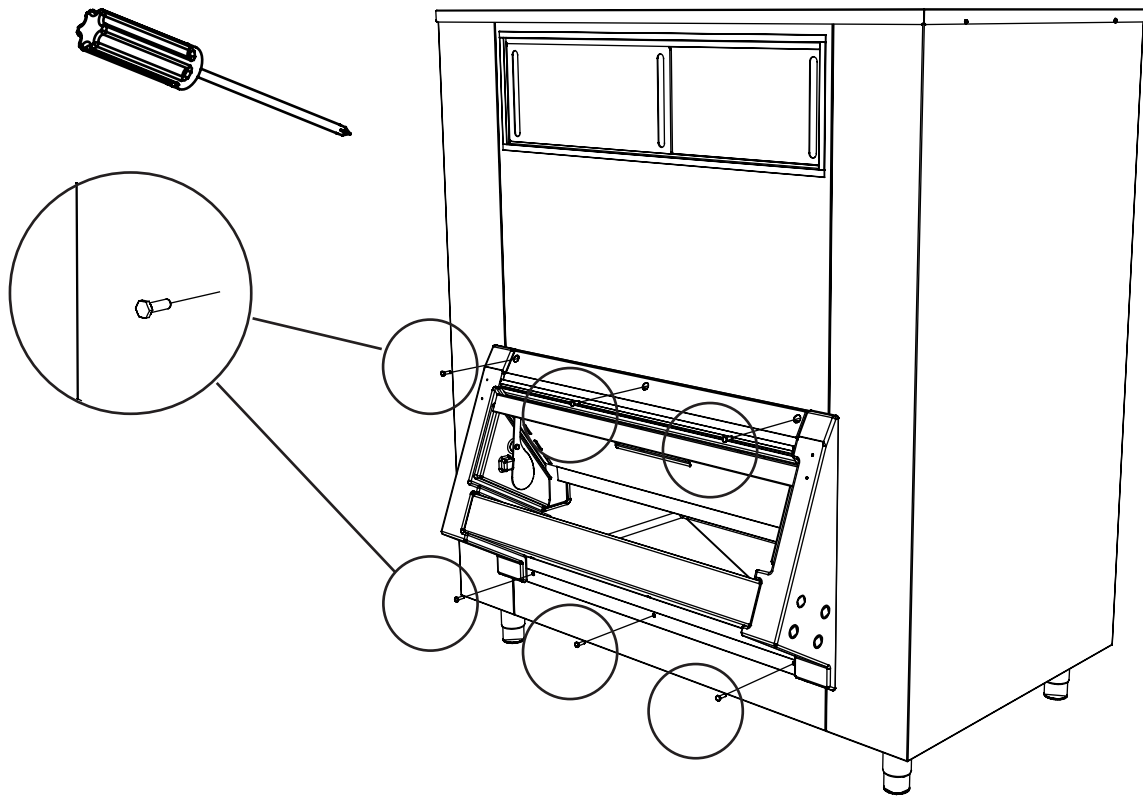


## Installazione - Installation Layout



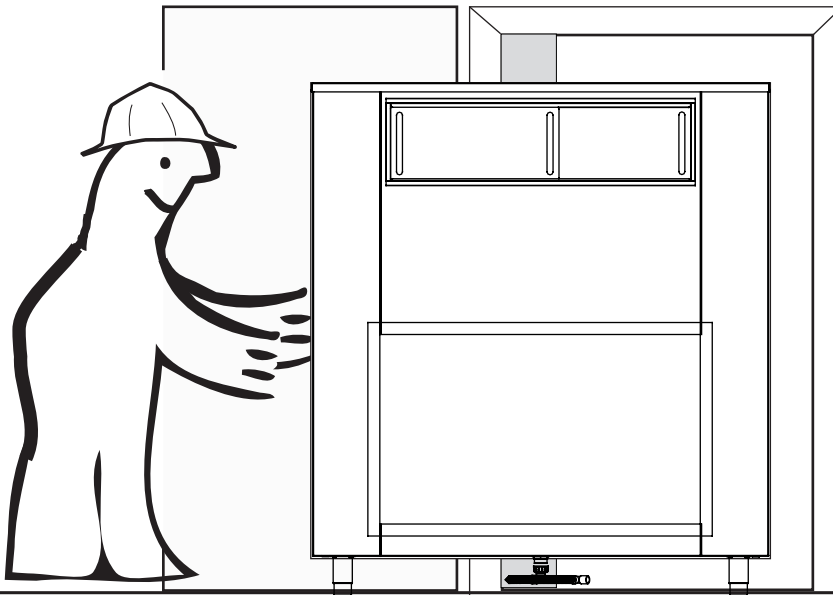


## Installazione - Installation Layout



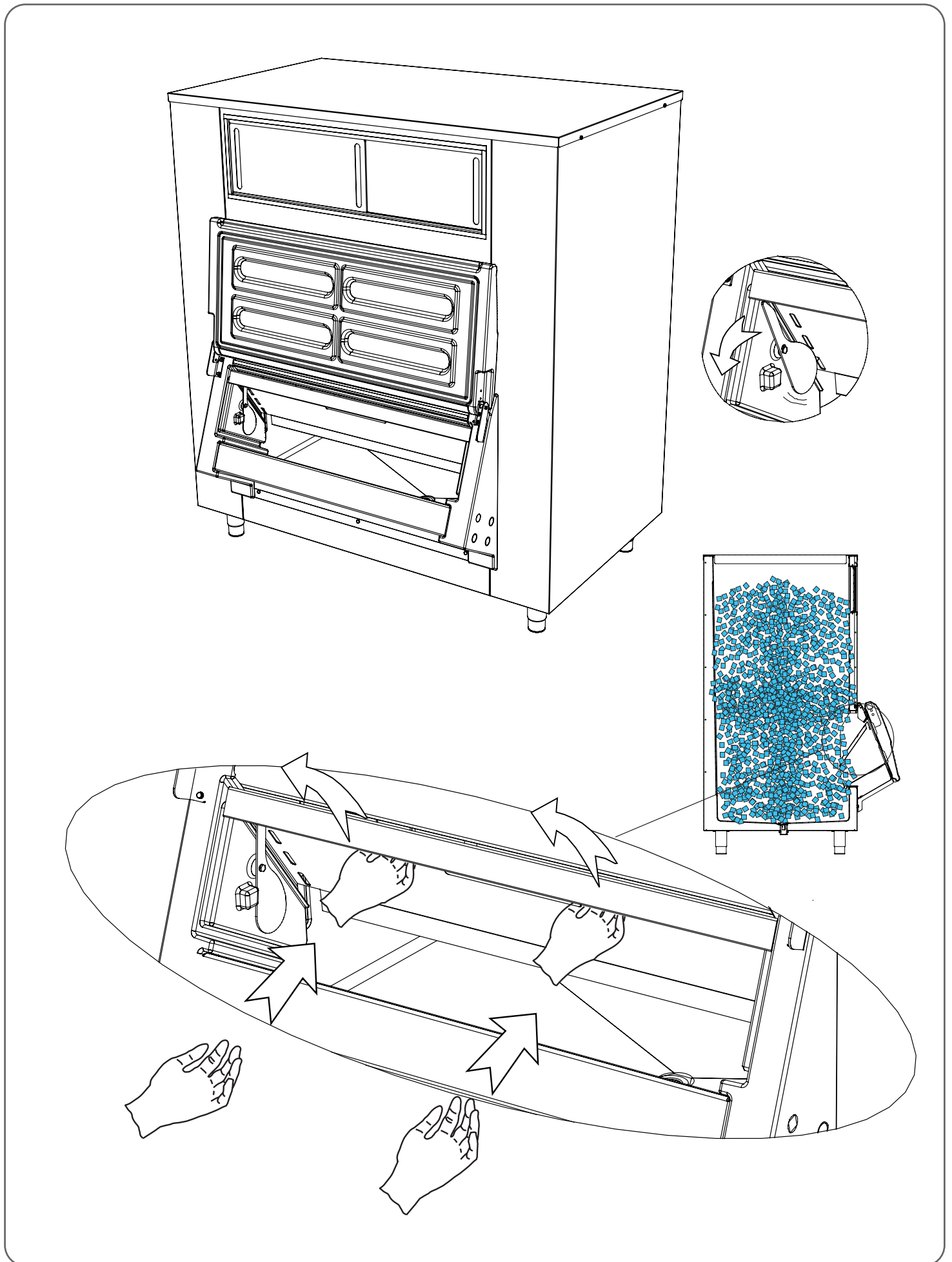
## Installazione - Installation Layout

> **890 mm** <

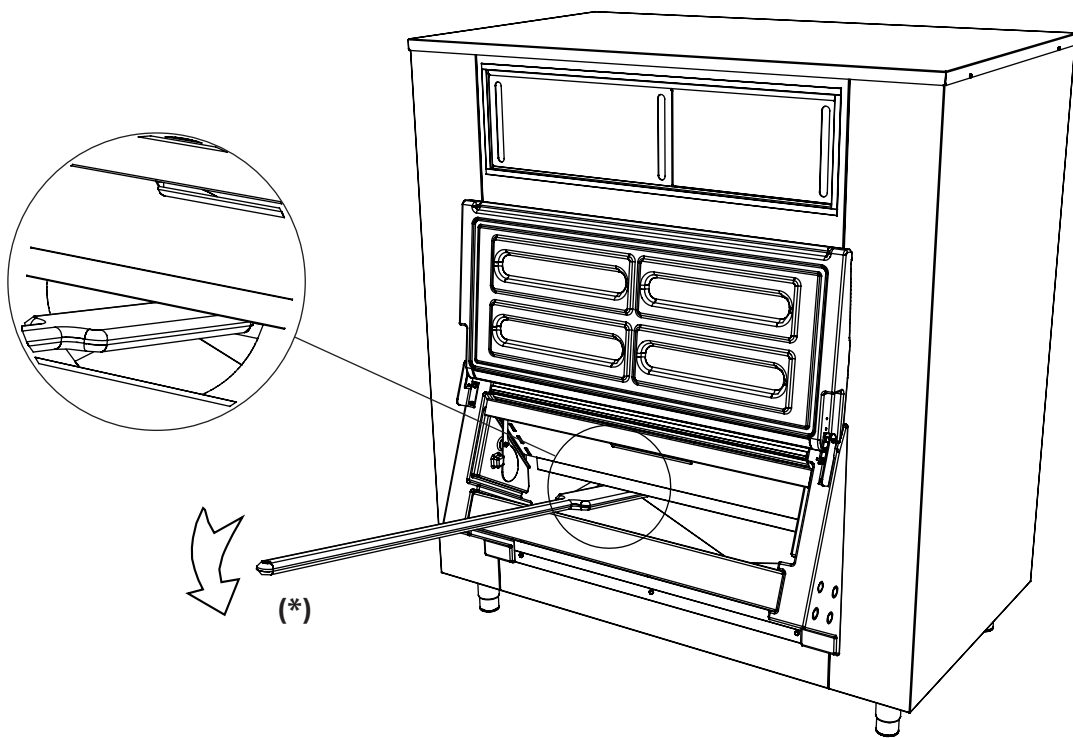
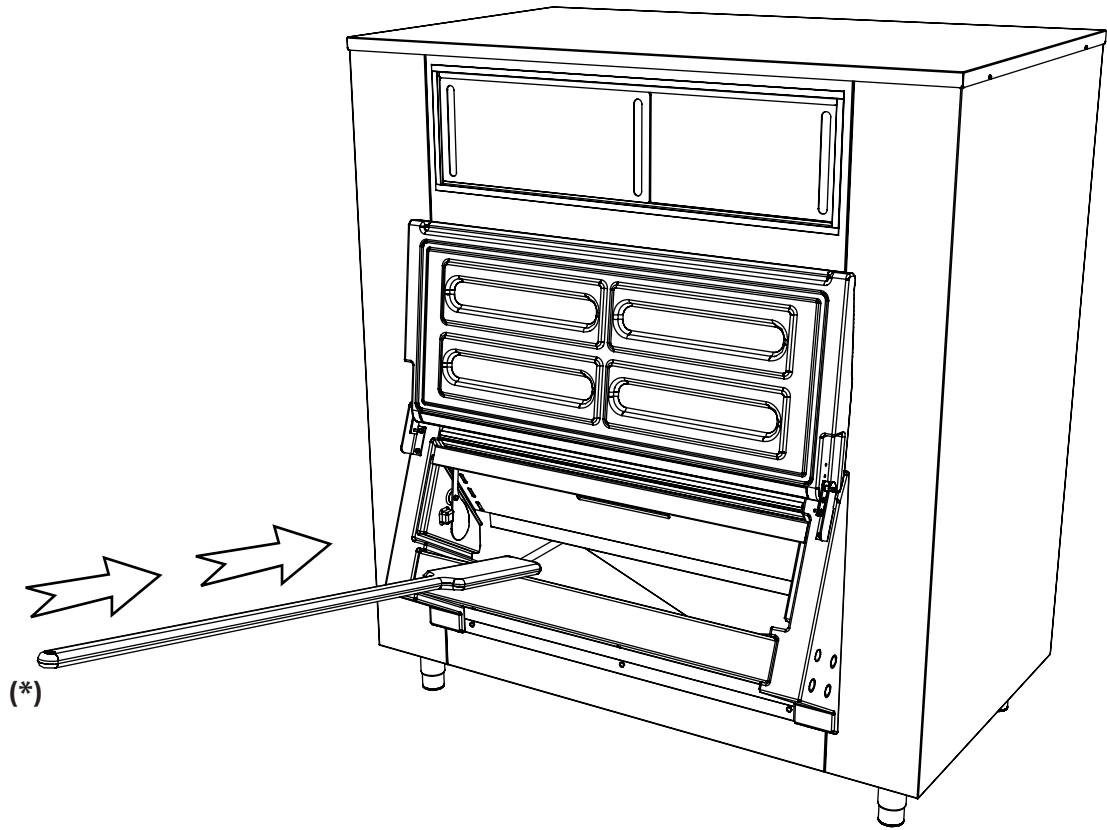


**OK!**

# UBH - scarico ghiaccio - ice discharge

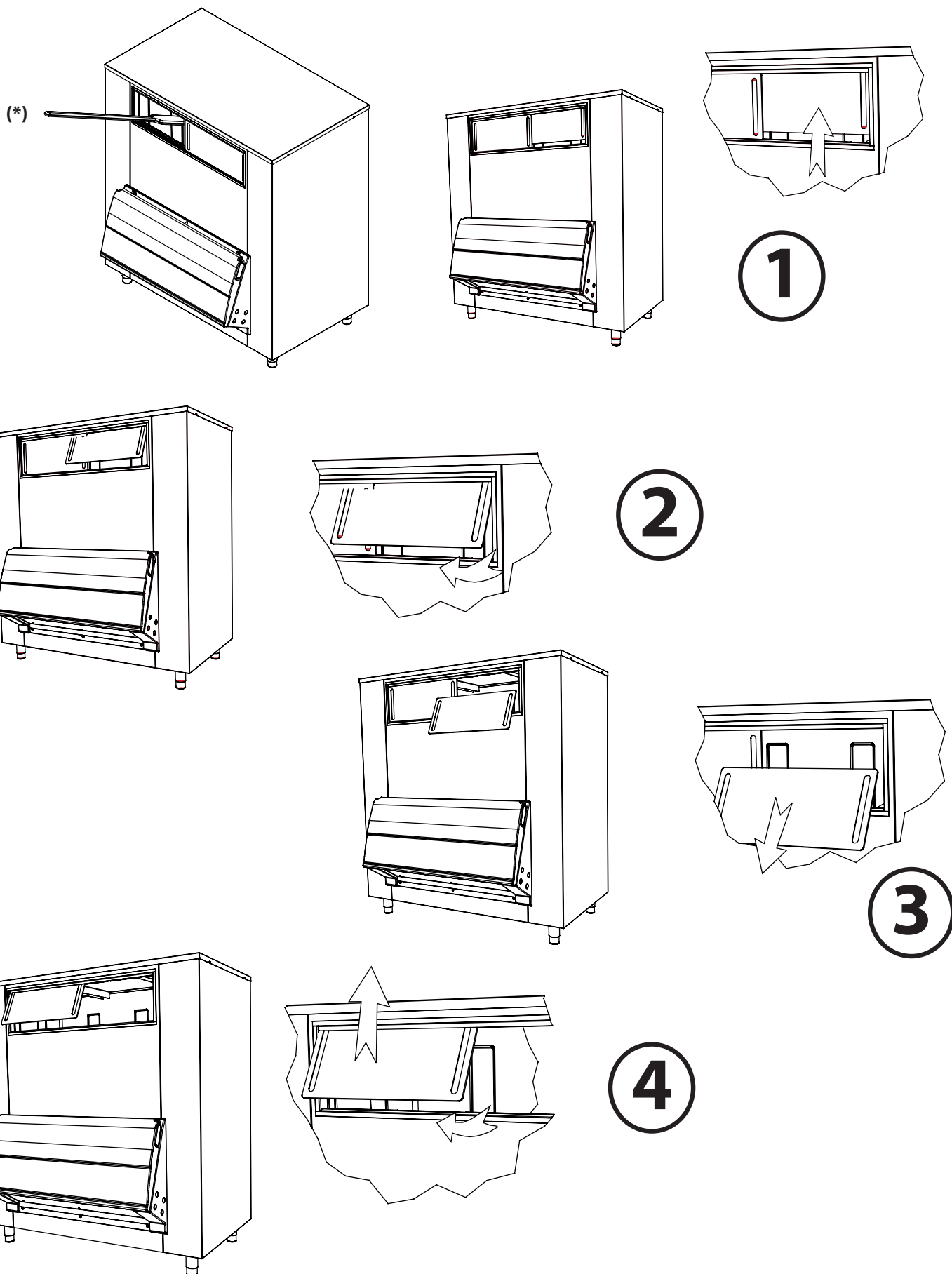


# UBH - scarico ghiaccio - ice discharge



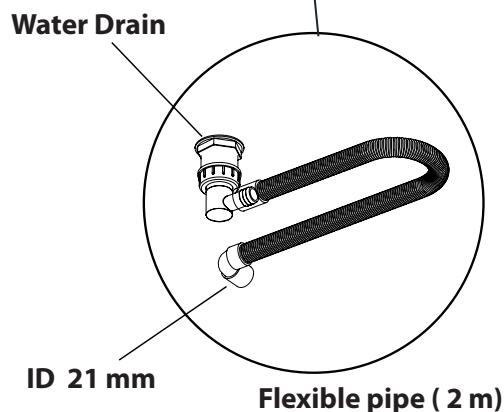
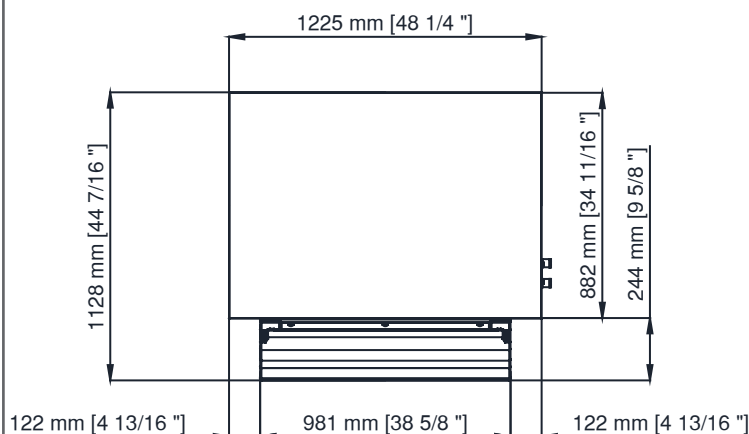
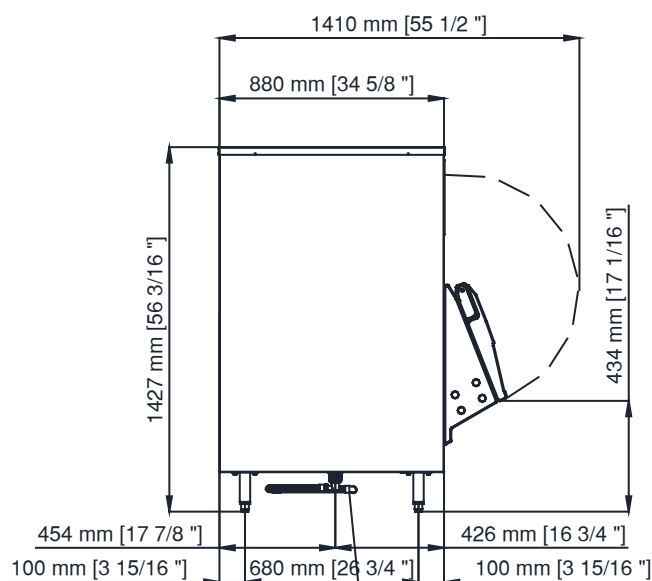
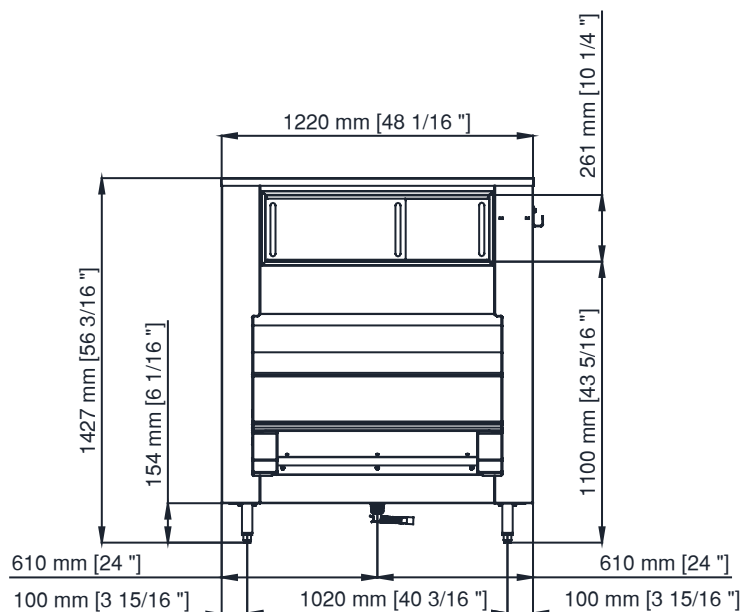
(\*) *Optional - on demand - Opzionale - su richiesta*

# UBH - accesso deposito - storage access



(\*) *Optional - on demand - Opzionale - su richiesta*

# DIMENSIONS - DIMENSIONI UBH 1100



## STORAGE CAPACITY - CAPACITA' DEPOSITO

Internal Volume - Volume Interno

1,129 m<sup>3</sup>

Ice Capacity - Capacità Ghiaccio (\*)

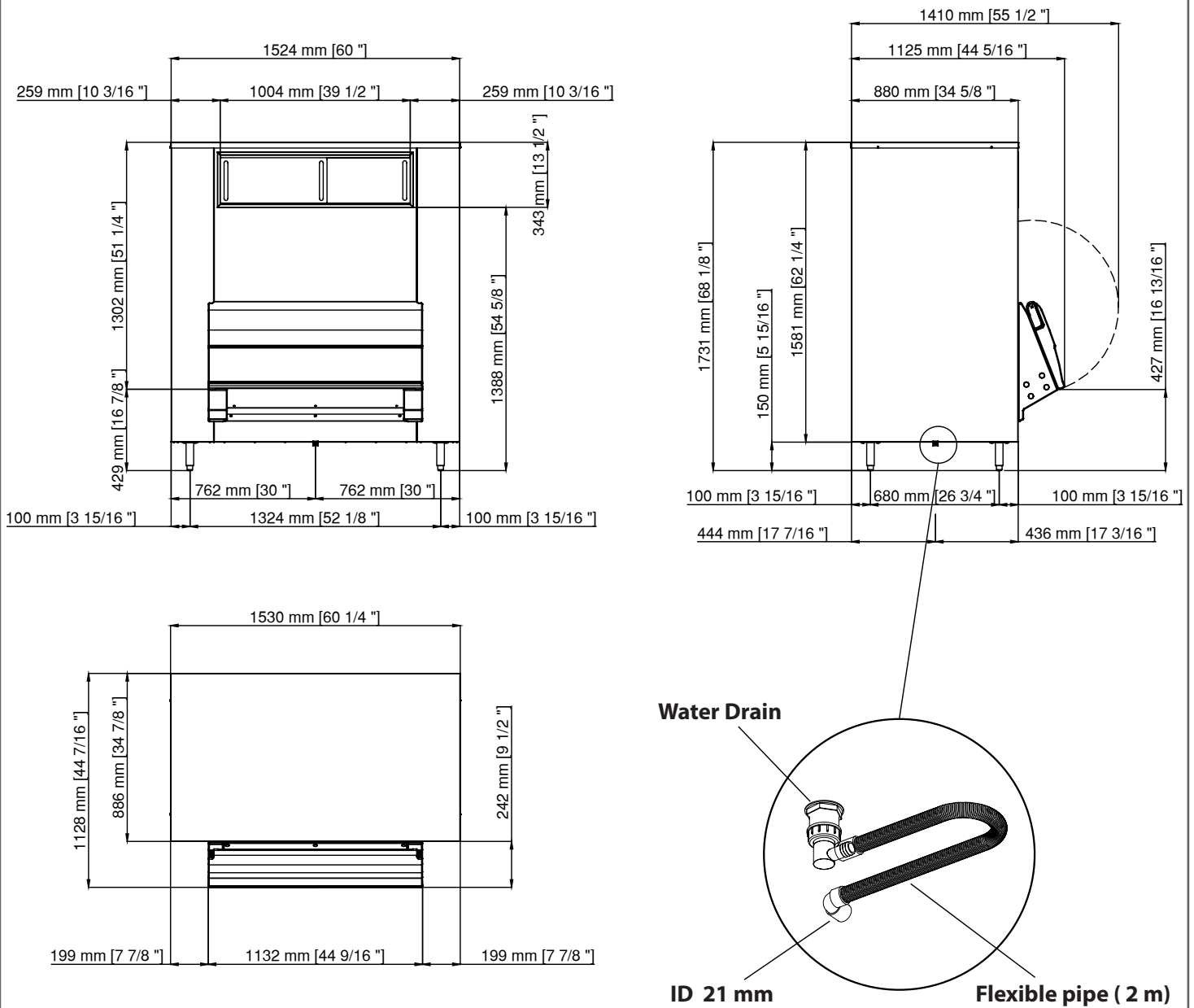
553 kg/1219 lbs

(\*) Capacity is calculated on 90% of total volume in the cubic feet x 34 lb/ft<sup>3</sup>  
 Capacità è calcolata sulla base del 90% del volume totale x 545 kg/m<sup>3</sup>



Maximum bearable weight: 500 kg  
 Massimo carico sopportabile: 500 kg

# DIMENSIONS - DIMENSIONI UBH 1600



## STORAGE CAPACITY - CAPACITA' DEPOSITO

Internal Volume - Volume Interno

1,655 m<sup>3</sup>

Ice Capacity - Capacità Ghiaccio (\*)

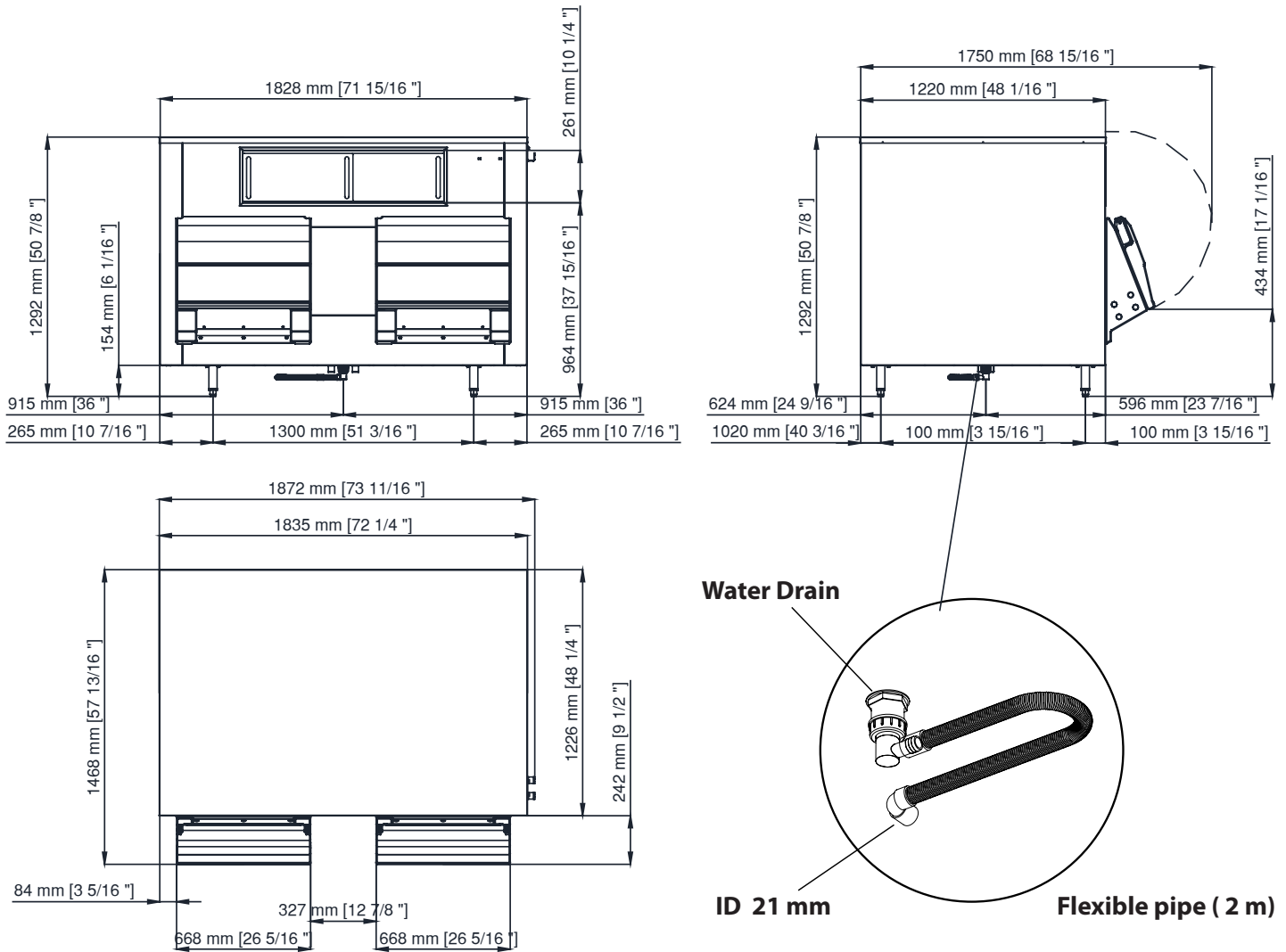
812 kg/1786 lbs

(\*) Capacity is calculated on 90% of total volume in the cubic feet x 34 lb/ft<sup>3</sup>  
 Capacità è calcolata sulla base del 90% del volume totale x 545 kg/m<sup>3</sup>



Maximum bearable weight: 500 kg  
 Massimo carico sopportabile: 500 kg

# DIMENSIONS - DIMENSIONI UBH 2250



## STORAGE CAPACITY - CAPACITA' DEPOSITO

Internal Volume - Volume Interno **2,178 m<sup>3</sup>**

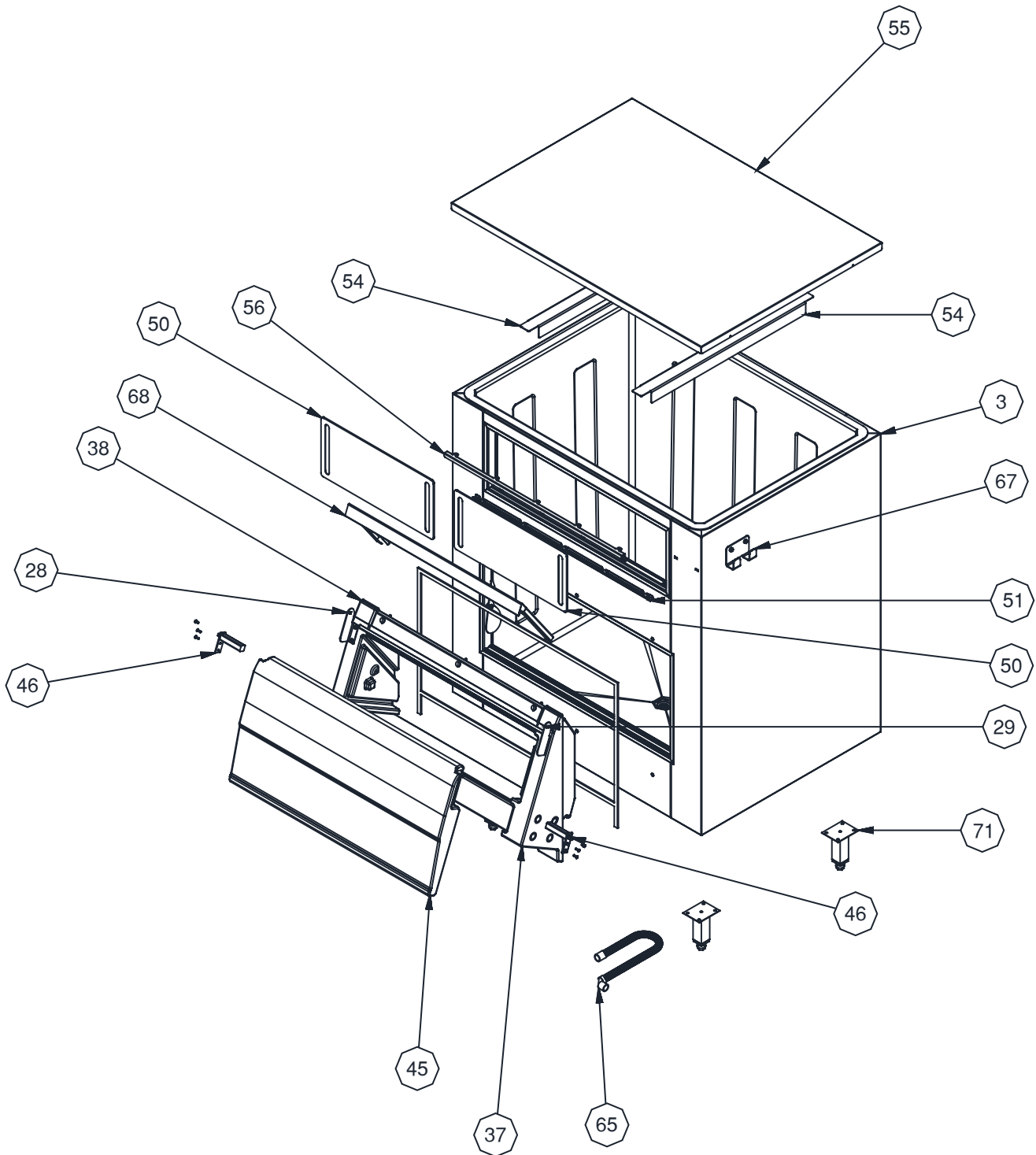
Ice Capacity - Capacità Ghiaccio (\*) **1068 kg/2354 lbs**

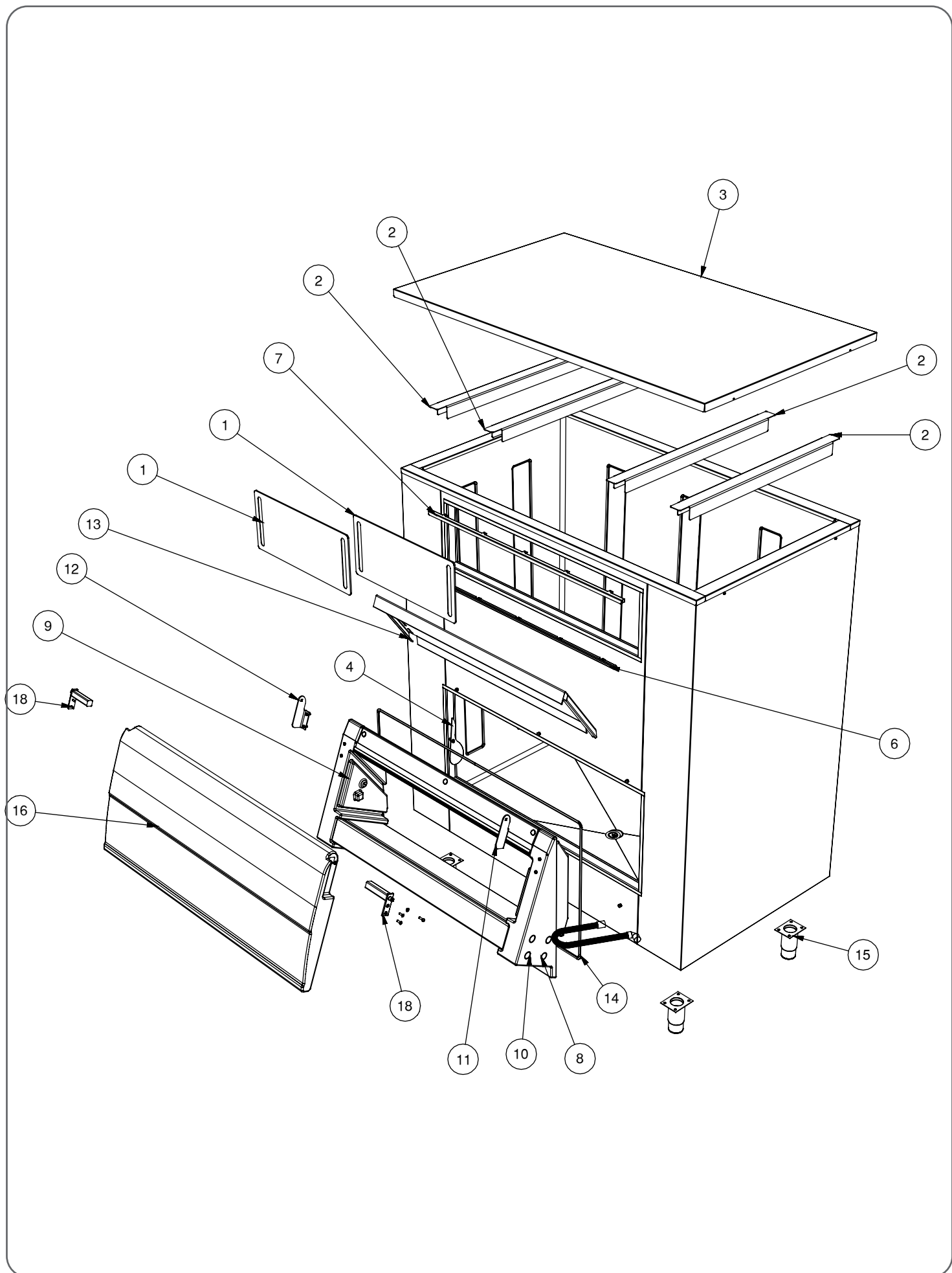
(\*) Capacity is calculated on 90% of total volume in the cubic feet x 34 lb/ft<sup>3</sup>  
 Capacità è calcolata sulla base del 90% del volume totale x 545 kg/m<sup>3</sup>

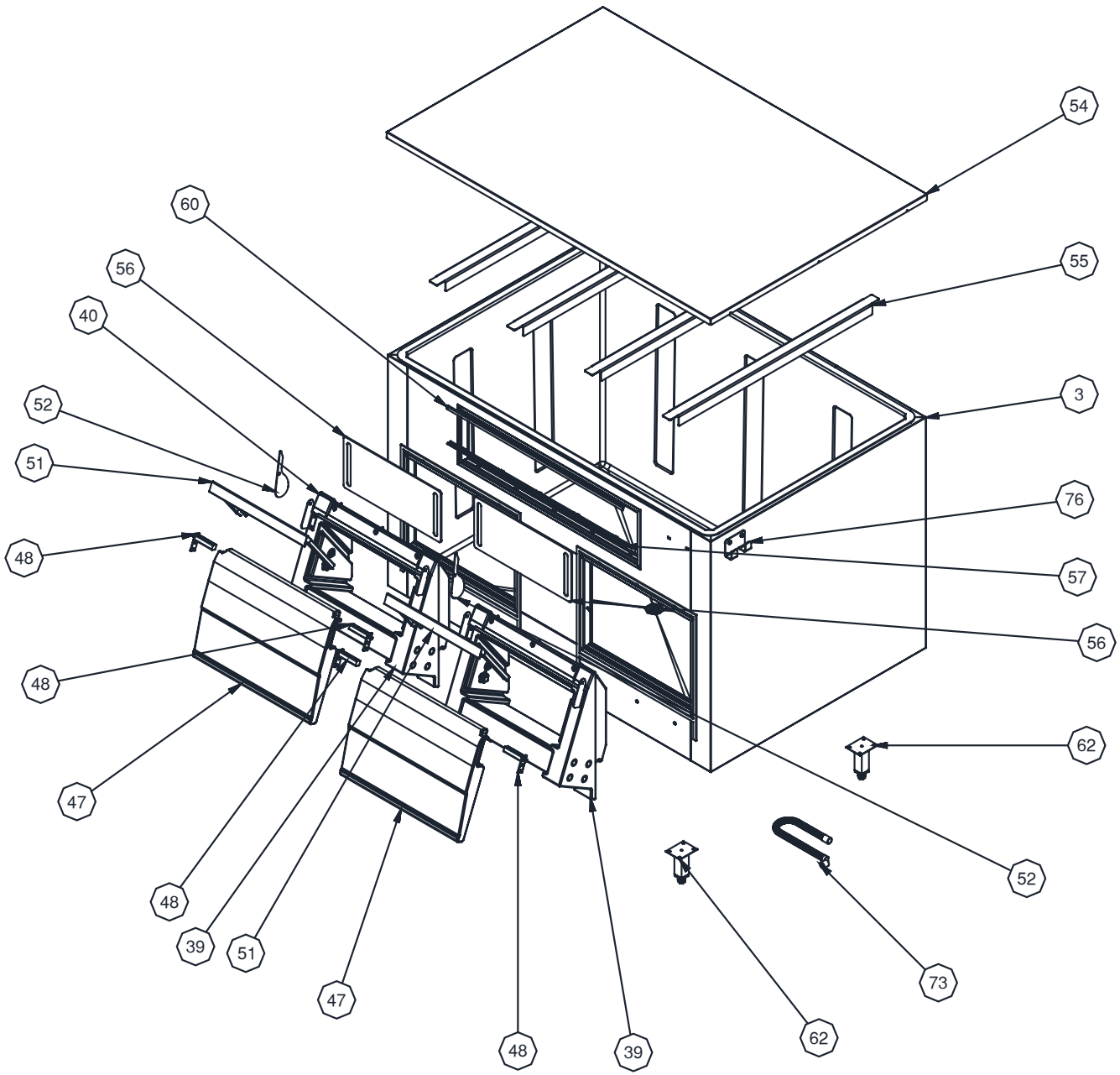


Maximum bearable weight: 500 kg  
 Massimo carico sopportabile: 500 kg









# HANDBOOK ICE STORAGE BINS

