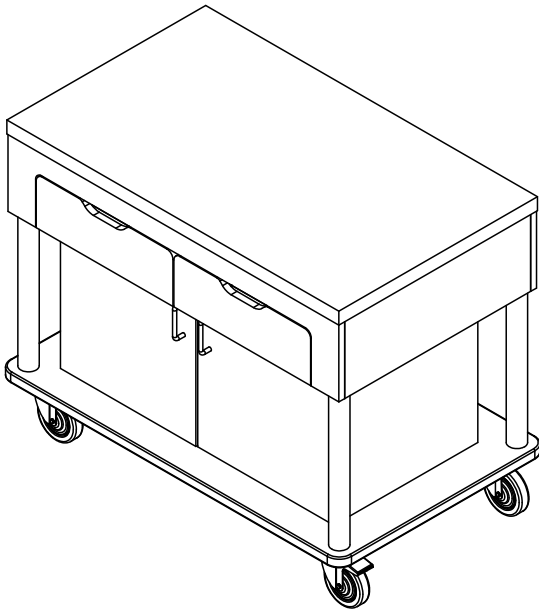




Rocam Losi Srl
Via dell'industria 33/35 - 20080 ALBAIRATE (MI) - ITALY
Tel. +39.02.94968356 r.a. - Fax +39.02.94968341
e-mail: rocam@rocam.it - www.rocam.it

Reg. Imp., C.F. e P. Iva IT 07013680967
R.E.A. MI 1929402 Cap.Soc. € 10.000,00 i.v.



Item:
**EROS SAL
EROS SAL 2
EROS SAL 2 AL**



Summary

1. Instruction Warnings	2
2. Safety and Right Use Warnings	2
3. Warranty	2
4. Installation and assembly	2
4.1 Components	3
5. Cleaning and Maintenance	4
6. Disposal	4



1. Instruction Warnings

User has to hold the whole instructions. User must store up this document in case of use. Producer do not assume any responsibility for damages incurred due to the failure of improper use of this manual. All measures in this manual are in mm.

2. Safety and Right Use Warnings



The Rocam Losi products meet the latest technological evolutions and current safety guidelines.

Trolley line **EROS**, object of this booklet, is projected to be in compliance with directives and field laws, in order to guarantee a safe and reliable product. Any other use will be considered inapposite to the original destination. Producer do not assume any responsibility for damages caused by an improper use. Responsibility lies only on user. A proper use also includes compliance with the instructions for use and installation and any additional documentation as well as the conditions of inspection and maintenance.

3. Warranty

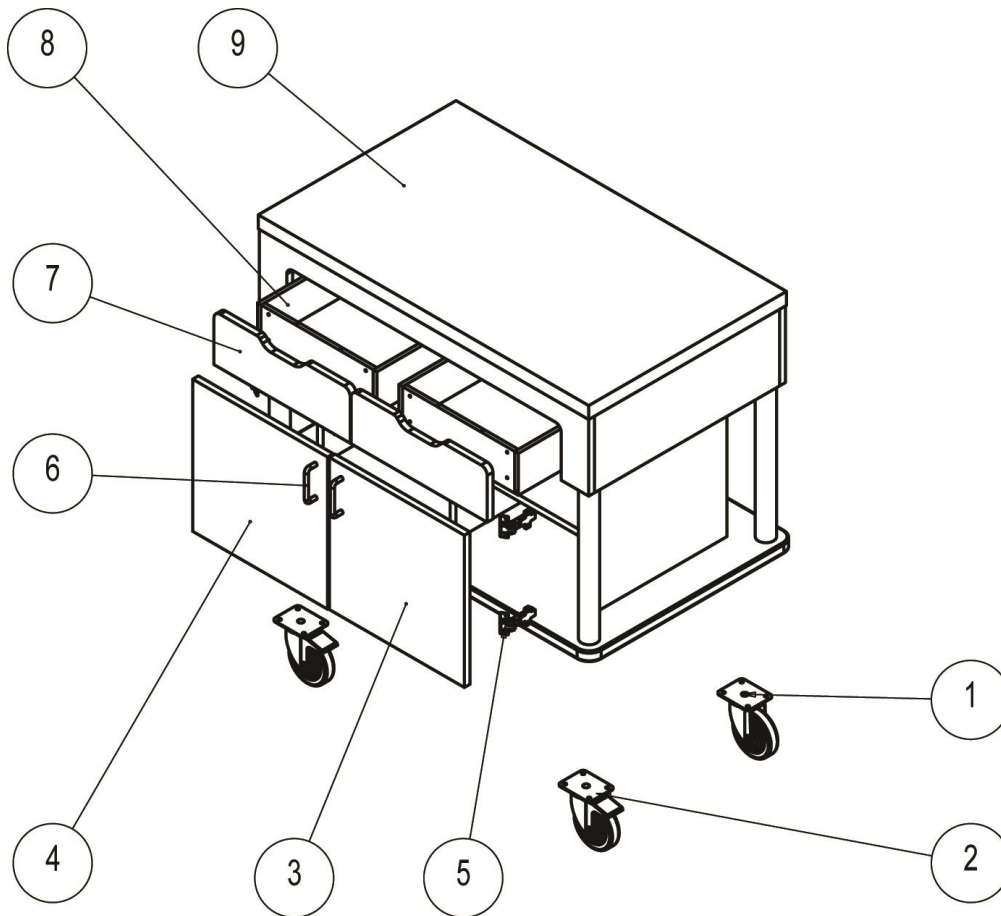
We thank you for purchasing a Rocam Losi product, designed and produced for a professional environment. Due to commercial and construction requirements, the manufacturer reserves the right to make changes in order to enhance the quality and use of product. Rocam Losi s.r.l., in compliance with European Community legislation, grants its products for 24 months. This guarantee does not include electrical parts, labour and all replacements related to an improper use of the good. Any manipulation carried out automatically excludes the liability of the manufacturer. The products or parts to be replaced or repaired for unequivocal defects in workmanship and materials used must be in a "free port" at the offices of the producer, who after a careful inspection, will repair or replace them. The repairs are carried out exclusively at the headquarters of the manufacturer, and none cost incurred by the customer for repairs will be refunded by the manufacturer unless expressly agreed.

4. Installation and assembly



This item is packed and shipped assembled. The manufacturer declines every responsibility of damage of someone or something caused by the failure to comply with the instructions of this manual. Do not make any structural change to the trolley. The elements composing the trolley (plastic, polyurethane foam, bubble wrap, Styrofoam, cardboard and so on) must be kept away from children as potential sources of danger and must be collected and disposed off separately in accordance with local regulations. The manufacturer declines every responsibility of damage of someone or something caused by the failure to comply with the instructions of this manual. After the unpacking of the item from its packing, proceed by removing the adhesive plastic tape before starting up the product. Any residual glue has to be removed carefully (do not use abrasive cleaners).

4.1 Components



EROS SAL 2			
<i>Ref.</i>	<i>Code</i>	<i>Qty.</i>	<i>Description</i>
1		2	Standard castor
2		2	Castor with brake
3		1	Right door
4		1	Left door
5		4	Door's hinge
6		2	Door's handle
7		2	Drawer front cover
8		2	Drawer
9		1	S/steel top

**ANY
MANIPULATION AUTOMATICALLY EXCLUDES THE MANUFACTURER'S LIABILITY
AND THE WARRANTY ON THIS PRODUCT.**

5. Cleaning and Maintenance

The laminate parts can be cleaned with a damp cloth- In case of stubborn stains, use a damp cloth with some alcohol, do never use corrosive or abrasive detergents.

The manufacturer is not responsible of any structural damage caused by the use of damaging substances.



The trolley must always stand horizontally and shall never be turned to prevent damages.

6. Disposal

The device must be disposed according to the local regulations and, where possible, it is necessary to unmount it and differentiate the various components.

The packing elements (plastic, foam, bubble wrap, Styrofoam, cardboard, etc..) must be kept away from children as potential danger and have to be collected and disposed separately according to the local regulations.