

**Manual de Montagem
Assembly Instructions
Instructions de Montage
Montageanleitung
Manuale di Montaggio
Manual de Montaje**

**N.º MNS PAINEIS
V5**



**CÂMARA PARA DETRITOS – V5
WASTE DISPOSAL COOLER – V5
REFROIDISSEUR DE DECHETS – V5
KONFISKATKÜHLER – V5
CELLA PER RIFIUTI – V5
CÂMARA PARA DETRITOS – V5**

INDEX**Page**

1. Reception	14
2. Identification	14
3. Recommendations for Installation	14
3.1 General notes	14
3.2 Placement	14
3.3 Installation	14
4. Recommendations to the User	15
4.1 Cleaning	15
5. Assembly	15

Notes

We would like to thank your preference for our equipment, which follows all the European Directives and Standards and will meet for sure, your expectations and satisfy your needs.

Thank you.

1. Reception



On receiving the equipment, check carefully that the packaging is intact and has not been damaged in transit. After unpacking, check that you have all the components and if the characteristics correspond to those on the order form.

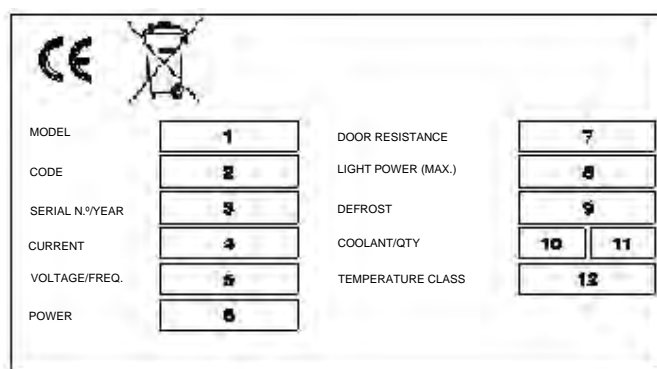
Installation, maintenance and other work should be carried out by specialised and authorised technicians. The manufacturer accepts no responsibility and will not cover the guarantee if these conditions are not respected.

This appliance must be used according to these instructions and only for the manufacturer's purpose. The incorrect use of the equipment can cause damages to the equipment and to users.

As a result of our constant effort to make technological improvements, the specifications indicated here are subject to change without warning.

2 – Identification

Our models have a plate behind the control panel on which the main data can be found. The MODEL and SERIES / YEAR are absolutely essential when consulting the manufacturer.



Legend:

- | | |
|--------------------------|--------------------|
| 1 - Model | 7 - Doesn't apply |
| 2 - Code | 8 - Doesn't apply |
| 3 - Series Number / Year | 9 - Doesn't apply |
| 4 - Doesn't apply | 10 - Doesn't apply |
| 5 - Doesn't apply | 11 - Doesn't apply |
| 6 - Doesn't apply | 12 - Doesn't apply |



The crossed-out wheeled bin means that within the European Union the product must be taken to separate collection at the product end-of life. This applies to your device but also to any enhancements marked with this symbol. Do not dispose of these products as an unsorted municipal waste.

3 – Recommendations for Installation

3.1 – General Notes

Although the production of each appliance is rigorously controlled during manufacture, this does not exclude the possibility of damage caused in transit. The general condition of the appliance should therefore be checked on arrival.

3.2 - Placing



- Remove the packaging or pallet carefully so that the equipment's surfaces are not damaged. Remove the PVC protection.
- The appliance should be installed away from heat sources (ex: heating appliances) and direct sunlight.
- To ensure that the appliance functions well, it should always be correctly levelled and slightly inclined to the back, to make sure that the doors close perfectly. Small differences in level can be compensated for by regulating the feet.

3.3 - Installation

The following standards should always be bared in mind during installation:



- Regulations concerning the buildings, and anti-fire standards.
- Rules concerning accident prevention.
- European standards into effect.

4 - Recommendations for the User

The boxes have been designed for cooling waste. To ensure that they function well, the following points must be followed:



- Avoid opening the doors as much as possible.
- When putting in the waste, make sure that there is good natural circulation of air inside.
- Do not use pointed objects to remove
- If you do not follow the advises above, there will be an increase usage of electrical energy.

4.1 - Cleaning

To ensure perfect hygiene and conservation, clean as follows:



- Cleaning the surfaces frequently and carefully with a damp cloth.
- Always when using water and detergent, make sure these are neutral, and avoiding those which are chlorine-based or abrasive.
- Rinsing with clean water and drying carefully.
- It is entirely inadvisable to use pressurised jets of water, specially in the direction of the compressor.

5 – Assembly

There is a label on each panel, the darkest side identifies the panel. The dart on vertical panels points to the top.

Proceed to the assembly of the keg box as follows:

- Insert the **inferior stud-pins** in the fixing support of the door (Fig.1);

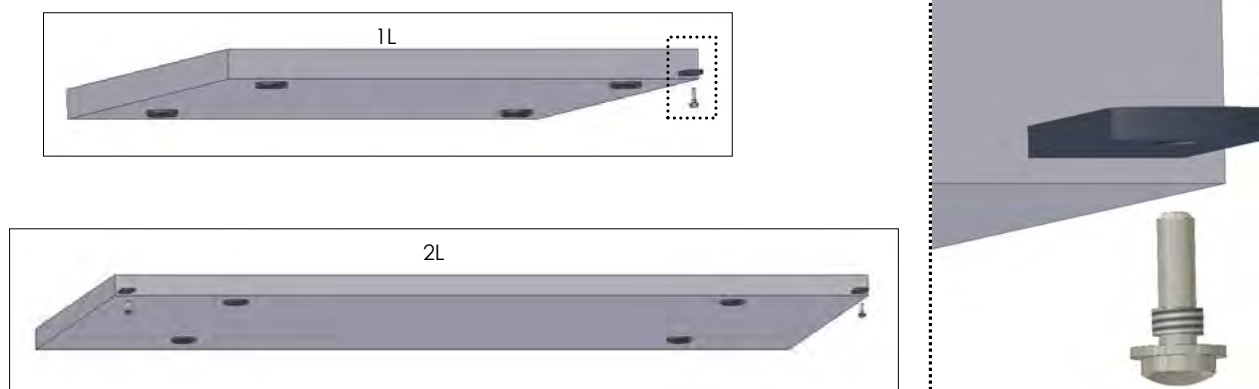


Fig. 1

- Put the **panel of the bottom** on the floor and level it (Fig.2);



Fig. 2

- Fix the **back panel** to the panel of the bottom and fasten (Fig.3);



Fig. 3

- Fix the **left-side panel** to the panel of the bottom and fasten only the bottom (Fig.4);

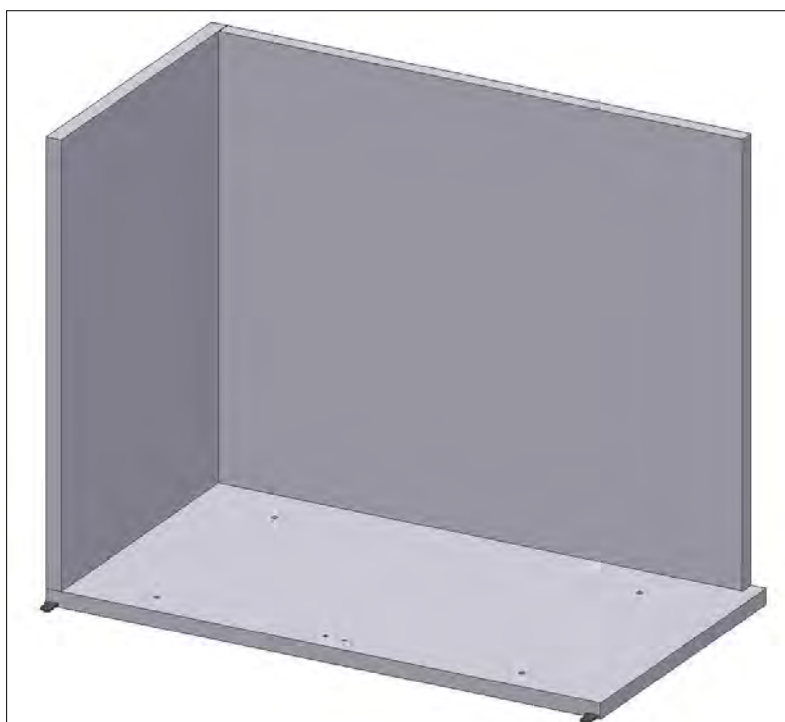


Fig. 4

- Fix the **right-side panel** to the panel of the bottom and fasten only the bottom (Fig.5);

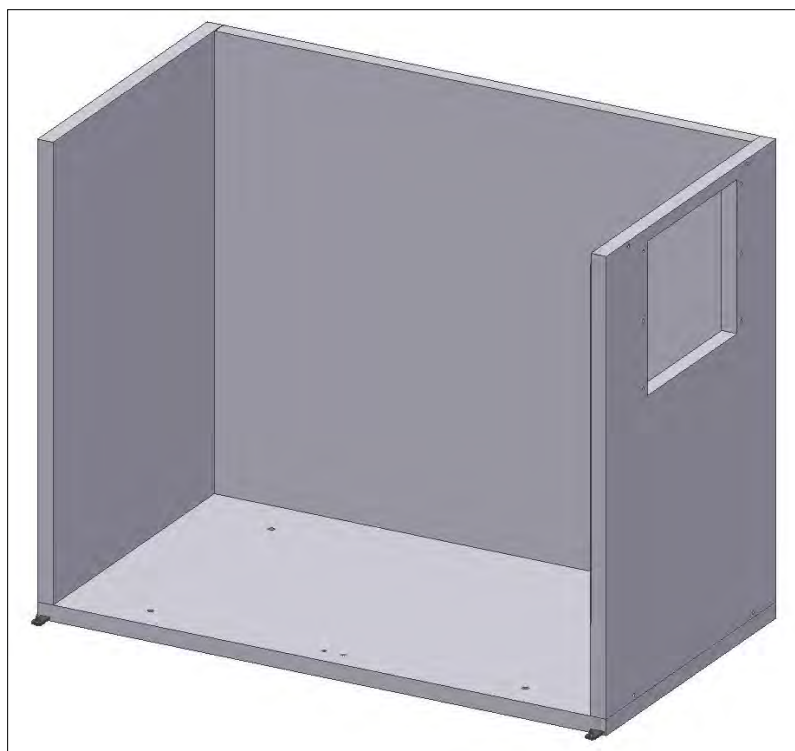


Fig. 5

- Insert the **superior stud-pins** in the top (Fig. 6);

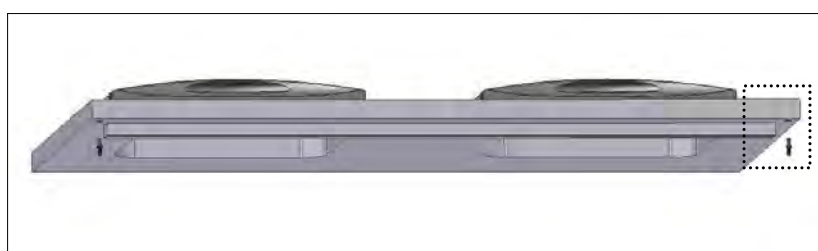


Fig. 6

- Fix the **panel of the top** to side and back panels, fasten only the back (Fig.7);



Fig. 7

- Insert the **sleeve** in the inferior side of the door (fig. 8);

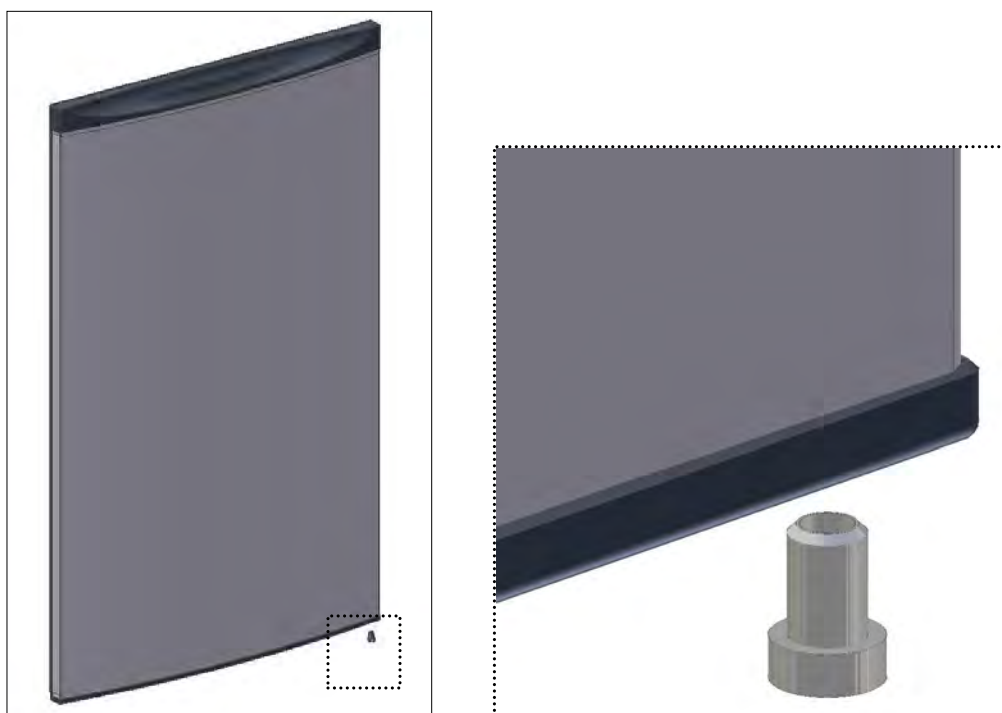


Fig. 8

- Fix the **door (right and left)** to the bottom and to the top (Fig.9);

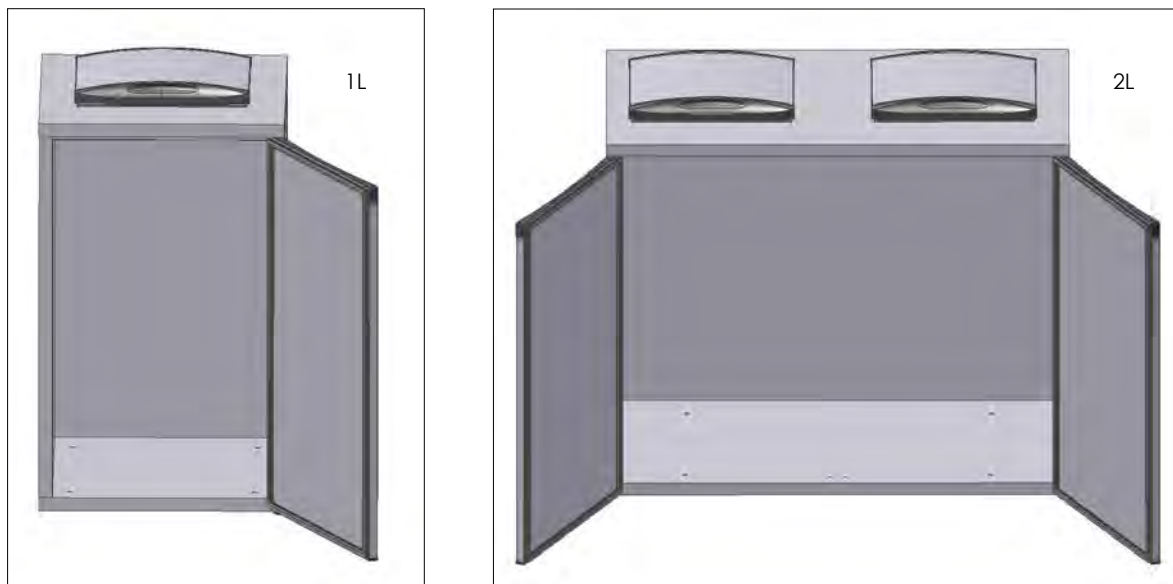


Fig. 9

Only for 2 containers

- Fix the **pillar** to the panel of the top and bottom (Fig.10);

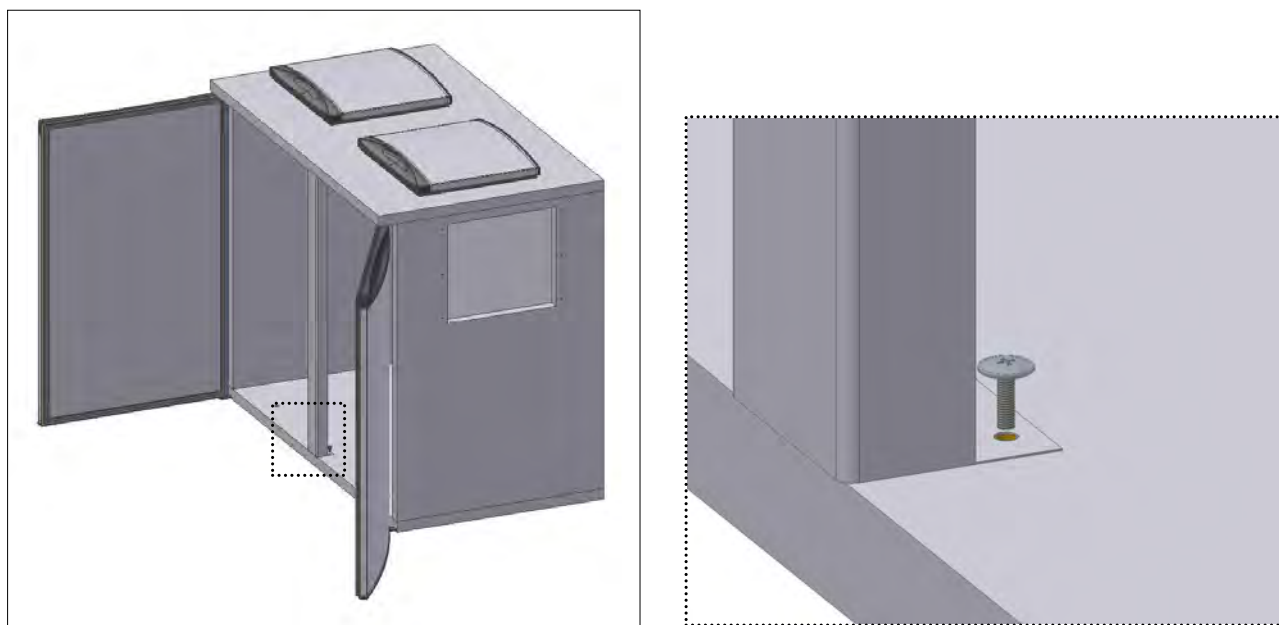


Fig. 10

- Fasten the other **camlocks** of side and back panels;

To fasten the camlocks, being outside the box, proceed as follows:

- Turn the screwdriver like the hands of a clock till it stops. (Fig.11 – Position **A**);
- Turn the screwdriver on the other sense fill it fastens. (Fig.11 – Position **B**)

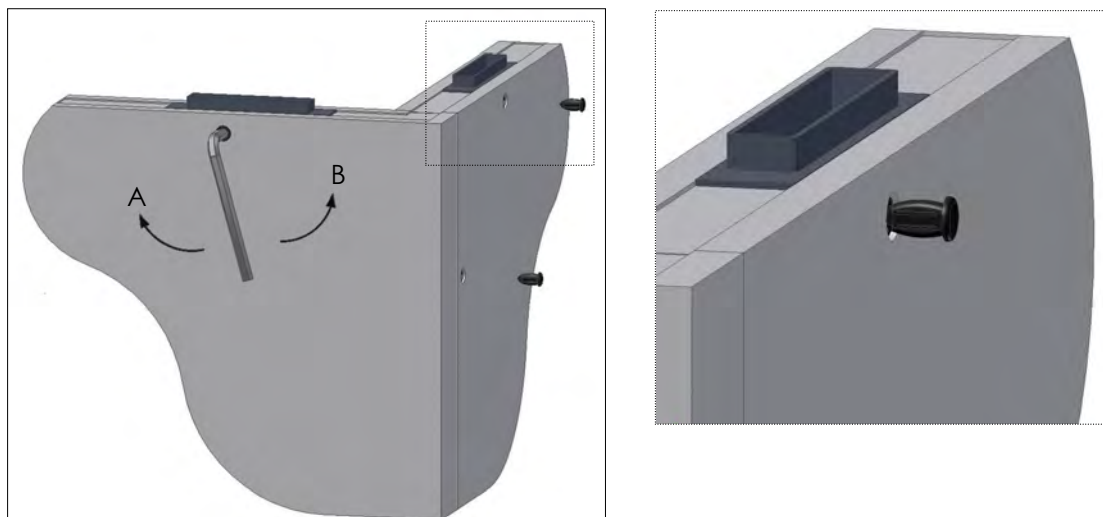


Fig. 11

- After fastening, insert the **screw caps** in the holes (Fig. 11).
- Level the box through the adjustment of feet.
- Insert the **screw caps** in the bottom (Fig. 12);

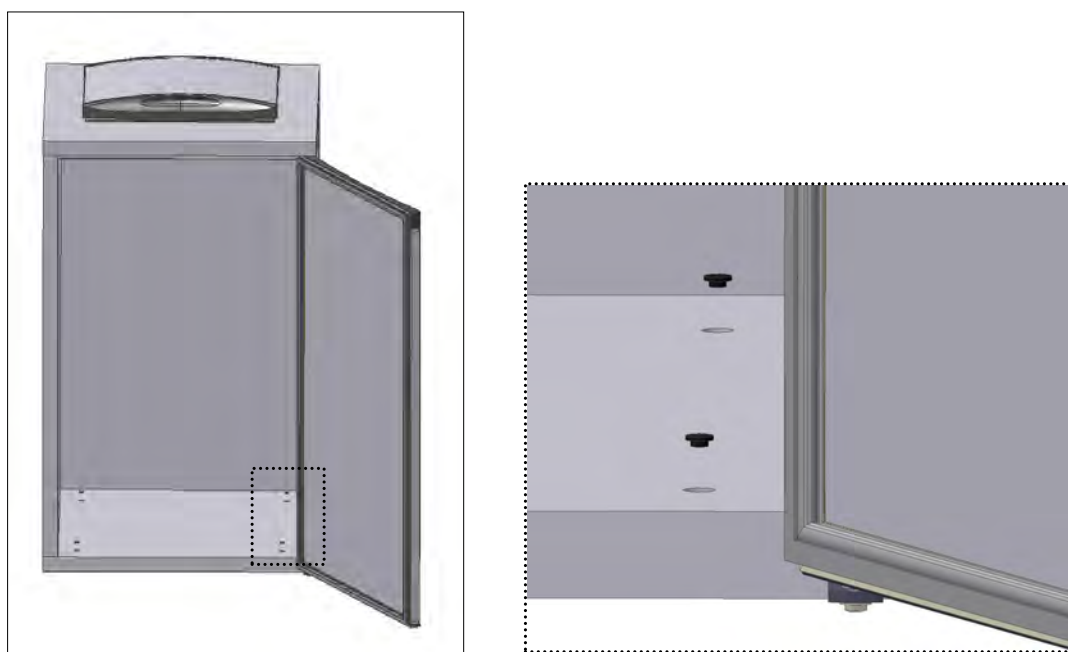


Fig. 12

- Insert the V6 in the opening of the right-side panel, fixing the stud-pins into the holes (Fig 13);

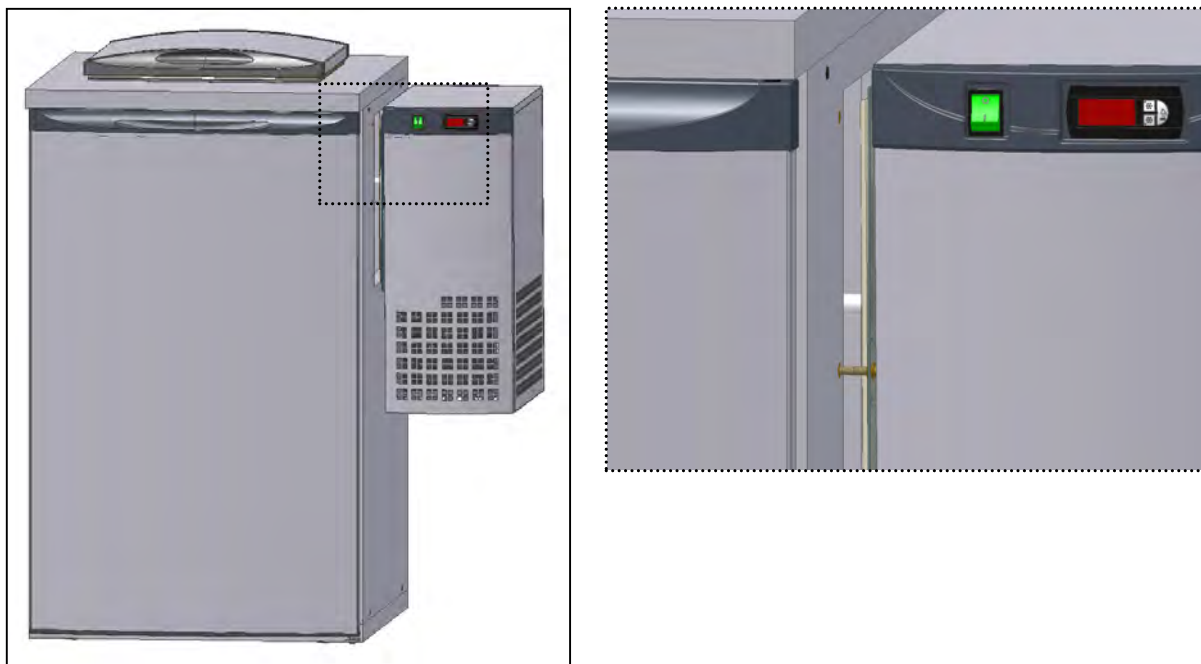


Fig. 13

- Fasten the V6 with 2 sleeves by the inside of the right-side panel (Fig. 14);



Fig. 14