

M7 SERIES - MX SERIES - M5 SERIES - M4 SERIES

MACINADOSATORE

DOSER COFFEE-GRINDER

MOULIN DOSEUR

DOSIERMÜHLE

MOLINO DOSIFICADOR



MC SERIES - A3

MACINACAFFÉ / DOSATORE

COFFEE-GRINDER / DOSER

MOULIN / DOSEUR

KAFFEEMÜHLE / DOSIER

MOLINO DE CAFÉ / DOSIFICADOR



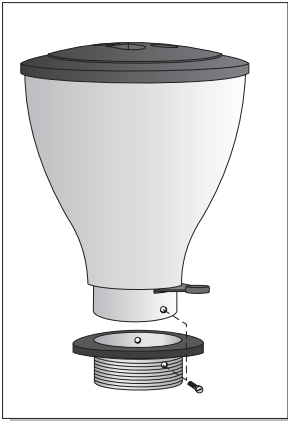


Fig.2

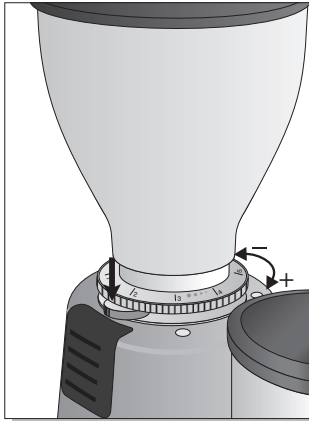


Fig.3

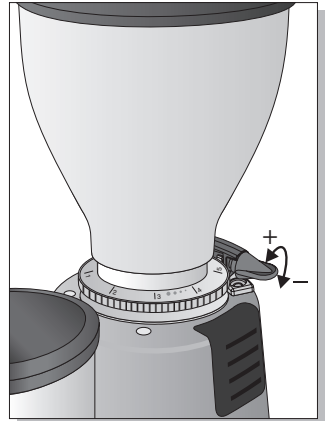


Fig.4

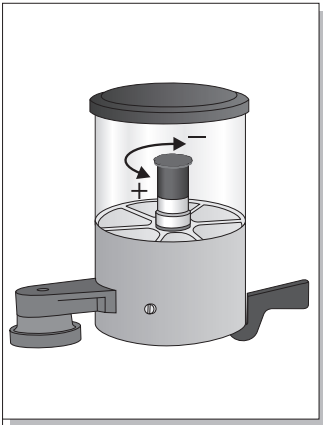


Fig.5

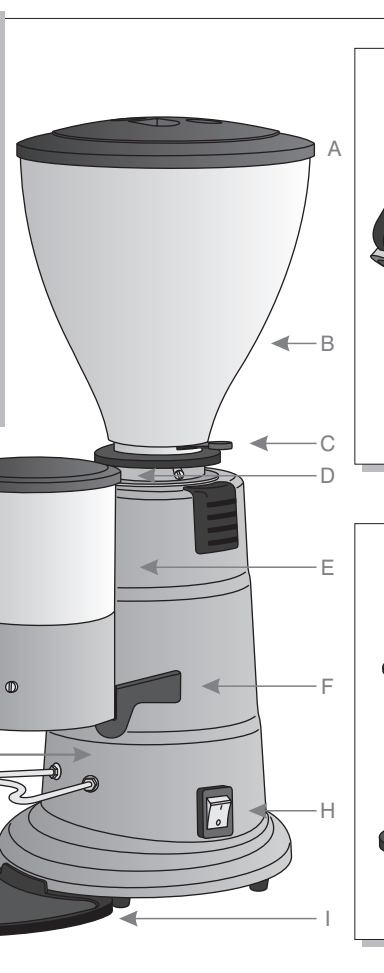


Fig.1

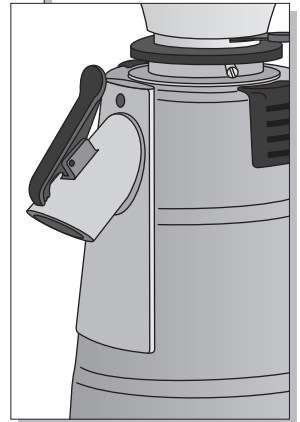


Fig.M

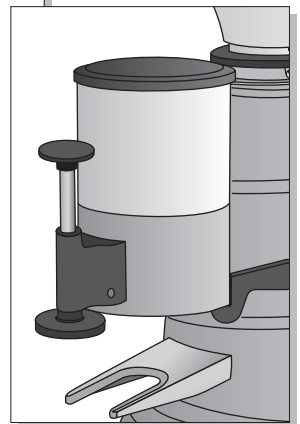


Fig.N

1 GENERAL INSTRUCTIONS

- 1-1 Before starting up the appliance, carefully read the following instructions.
1-2 This appliance has been designed for professional use only and hence must only be used by trained personnel familiar with its operation.
1-3 Keep the appliance well clear of water jets, damp areas and heat sources.
1-4 Always consult a qualified electrician for repairs and maintenance.

2 DESCRIPTION OF APPLIANCE (Fig. 1)

- | | | | |
|----|------------------|----|-------------------|
| A) | Coffe tub lid | G) | Press |
| B) | Coffee tub | H) | Switch |
| C) | Coffee tub hatch | I) | Grinder plate |
| D) | Dispenser lid | L) | Body of machine |
| E) | Coffee dispenser | M) | Bag holder |
| F) | Measuring lever | N) | Telescopic tamper |

3 INSTRUCTIONS FOR FITTING THE BELL TO THE BODY OF THE DOSER COFFEE-GRINDER OR COFFEE-GRINDER

- 3-1 The bell must be fitted before using the doser coffee-grinder or coffee-grinder.
3-2 Align the hole of the bell with one of the holes of the adjusting ring-nut (**Fig. 2**).
3-3 Ensure that the fan does not prevent you removing the dispenser cover or lowering the stop pin of the adjusting disk - if it does, change holes.
3-4 Fasten, using the appropriate screw.

4 INSTALLATION

- 4-1 Installation must be carried out in strict compliance with the provisions of law currently in force in the Country of use, with particular reference to **said Country's accident and fire-prevention requirements and electricity authority regulations**.
4-2 Before connecting the appliance to the mains, make sure that the voltage indicated on the data plate is commensurate with that of the mains supply.
4-3 Carefully clean all the components (see point 7).
4-4 Ensure the switch is on 0 (machine off).
4-5 Insert the plug in the power inlet.
4-6 Tampering with the appliance or failure to comply with the relative connection requirements causes undue danger and consequently renders the manufacturer's guarantee null and void.

5 FIRST START UP

- 5-1 Grind a few ounces of coffee to check the fineness of the grind.
5-2 If the grind is not to your liking, adjust the grinding system as follows:
Click adjustment (fig. 3)
- Press the fixing pin and turn the grinder in a clockwise direction for a courser grind
- Press the fixing pin and turn the grinder in an anti-clockwise direction for a finer grind
- The motor must be turned off when you do this.
Micrometric adjustment (fig. 4)
- Turn the small right hand knob in an anti-clockwise direction for a courser grind
- Turn the small right hand knob in a clockwise direction for a finer grind
- The motor must be running when you do this
5-3 The numbers shown on the adjustment ring are purely indicative and could vary from machine to machine, or when you replace the grindstone.

6 OPERATION

- 6-1 Put the coffee beans in the coffee bell, open the fan and turn the machine on (switch on 1) until you have ground as much coffee as you need. Pull the dosing lever to get the right dose of coffee.
- 6-2 Never fill the coffee dispenser more than 2/3rds.
- 6-3 The timer doser coffee-grinder model (M5T - MXT - M7T - M9T) with timer stops automatically.
- 6-4 The automatic doser coffee-grinder model (M5A - MXA - M7A - M9A) starts and stops automatically. Always switch off the appliance when not in use and at the end of the day.
- 6-5 **Adjusting ground coffee fineness:** Repeat step 5-2 when the fineness needs adjusting – remember that fresh coffee and room humidity can have an effect on the grind
- 6-6 **Regulating measures (Fig. 5):** turn the pin inside the coffee dispenser in a clockwise direction (to decrease measure) or in an anti-clockwise direction (to increase measure).

7 CLEANING

- 7-1 ALWAYS REMOVE THE PLUG FROM THE POWER INLET BEFORE CLEANING THE APPLIANCE.
- 7-2 Detach all removable parts from the appliance and hand wash in soapy water (never clean in the dishwasher).
- 7-3 Clean the appliance body with a damp cloth (never immerse the appliance in water).
- 7-4 Make sure that encrustations do not form inside the coffee dispenser.
- 7-5 The appliance can be kept clean more easily if washed every day.

8 FURTHER INSTRUCTIONS

- 8-1 **Packing disposal:** following removal of the appliance from its packing, dispose of said packing in compliance with the standards currently in force in the Country of use.
- 8-2 **Appliance disposal:** at the end of its life, the appliance must not be left lying around but dismantled and disposed of by sorting the materials. The manufacturer recommends that the dismantling and disposal of the appliance are assigned to a specialised waste disposal company.
- 8-3 DO NOT DISCARD IN THE ENVIRONMENT.

9 WARRANTY

- 9-1 The machine is guaranteed for a period of 12 months from the date of purchase.
- 9-2 Defects resulting from normal wear or caused by improper use of the appliance are not covered by the warranty.
- 9-3 Tampering with the appliance will automatically invalidate the warranty.

MACINADOSATORE

DOSER COFFEE-GRINDER

MOULIN DOSEUR

DOSIERMÜHLE

MOLINO DOSIFICADOR

MACINACAFFÉ / DOSATORE

COFFEE-GRINDER / DOSER

MOULIN / DOSEUR

KAFFEEMÜHLE / DOSIER

MOLINO DE CAFÉ / DOSIFICADOR