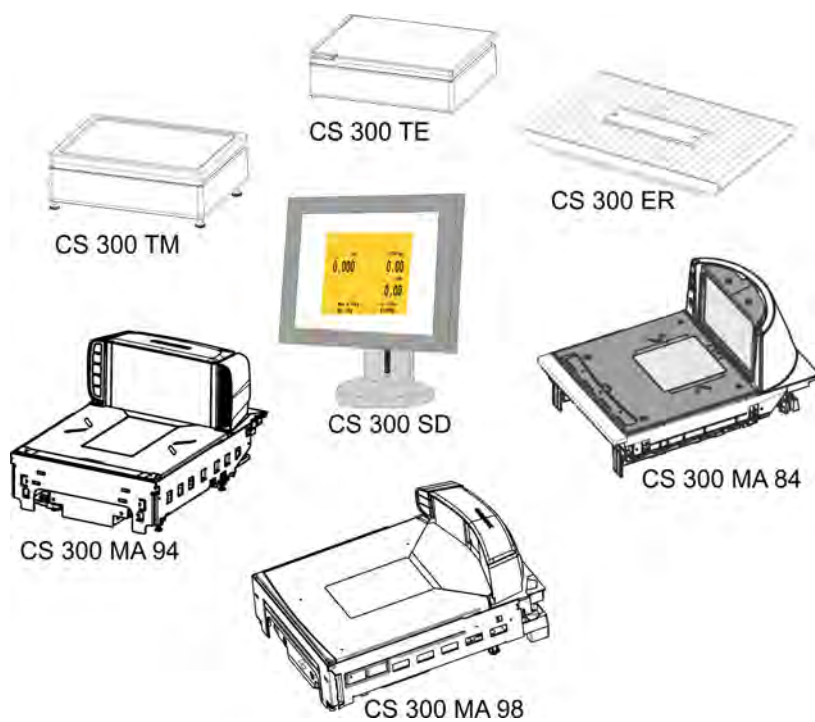


CS 300 Checkout Scale

Operating instructions

as of program version 4.42

6.110.98.5.01.40 en



Bizerba Service
<http://www.bizerba.com>

Alle Rechte vorbehalten
All rights reserved
Tous droits réservés
Reservados todos los derechos
Tutti i diritti riservati
© 07 / 2015

Bizerba GmbH & Co. KG,
72336 Balingen
P.O. Box 10 01 64
72301 Balingen, Germany
Telephone (+49 7433) 12-0, Fax (+49 7433) 12-2696
Email: marketing@bizerba.com
Internet: <http://www.bizerba.com>

Chapter index	
About these instructions	1
About the device	2
Safety instructions	3
Installation	4
Device and operating controls	5
Operation	6
Programming	7
Troubleshooting	8
Maintenance	9
Technical data	10
Subject index	11
Appendix	12

Contents		Page
1	About these instructions	1 - 1
1.1	Safe-keeping	1 - 1
1.2	Target group	1 - 1
1.3	Additional applicable documents	1 - 1
1.4	Symbols used	1 - 2
1.5	Warnings	1 - 3
2	About the device	2 - 1
2.1	Device types	2 - 1
2.2	Accessories	2 - 2
2.3	Intended use	2 - 2
2.4	Identification plate	2 - 2
2.5	Verification-related notes	2 - 4
2.6	Standards and guidelines	2 - 6
2.7	Operating conditions	2 - 7
2.7.1	Power supply	2 - 7
2.8	Warranty	2 - 8
2.9	Disposal of devices/environmental protection	2 - 8
3	Safety instructions	3 - 1
3.1	Requirements for operating personnel	3 - 1
3.2	System-related sources of hazards	3 - 1
3.3	Plates on the device	3 - 2
4	Installation	4 - 1
4.1	Transport and storage	4 - 1
4.2	Installation and assembly	4 - 2
4.2.1	Requirements on place of installation	4 - 2
4.2.2	Mains supply	4 - 3
4.2.3	Installation between Bizerba devices and devices from other manufacturers	4 - 3
4.3	Start-up	4 - 3
4.3.1	Switching on device	4 - 3
4.3.2	Checking the scale for freedom of movement	4 - 4
4.4	Decommissioning	4 - 5

4.5	Mounting the device	4 - 5
4.5.1	CS 300 TM	4 - 5
	Set-up scale CS 300 TM	4 - 6
	Connecting the scale CS 300 TM	4 - 6
4.5.2	CS 300 TE	4 - 7
	Installation of scale CS 300 TE in the POS counter	4 - 7
	Connecting the scale CS 300 TE	4 - 9
4.5.3	CS 300 ER-K	4 - 9
	Installation of scale CS 300 ER-K into POS counter	4 - 10
	Connecting the scale CS 300 ER-K	4 - 12
4.5.4	CS 300 MA 84	4 - 12
	Mounting the weighing system CS 300 MA 84	4 - 14
	Installation of scanner with weighing system into POS counter ...	4 - 16
	Leveling	4 - 18
	Connecting CS 300 MA 84	4 - 18
4.5.5	CS 300 MA 94	4 - 18
	Mounting the weighing system	4 - 20
	Installation of scanner into POS counter	4 - 22
	Leveling	4 - 24
	Connect	4 - 25
4.5.6	CS 300 MA 98	4 - 26
	Mounting the weighing system CS 300 MA 98	4 - 26
	Installation of scanner with weighing system into POS counter ...	4 - 28
	Leveling	4 - 30
	Connecting CS 300 MA 98	4 - 30
4.5.7	CS 300 SD (Software Display)	4 - 30
	Installing the software module	4 - 31
	License for software display	4 - 32
4.6	Setting overload stop	4 - 33
4.6.1	Overload stop MA 84	4 - 34
4.6.2	Overload stop MA 94	4 - 34
4.6.3	Overload stop MA 98	4 - 35
5	Device and operating controls	5 - 1
5.1	Display	5 - 1
5.1.1	Display types	5 - 2
5.1.2	Design versions of WS, and P displays	5 - 3
5.1.3	VGA screen	5 - 3
5.2	CS 300 SD (Software Display)	5 - 4
5.2.1	Checking the software	5 - 5
5.3	Keyboard	5 - 5
5.4	CS 300 with POSscale (RIK4Checkout)	5 - 7
5.5	MA 98 and MA 94 with ScaleSentry	5 - 8

6	Operation	6 - 1
6.1	Switching device on	6 - 1
6.2	Switching off device	6 - 1
6.3	Resetting the device	6 - 1
6.4	Tare functions	6 - 2
6.4.1	Taring with unknown tare	6 - 2
6.4.2	Batch tare (country-dependant)	6 - 3
6.4.3	Deleting tare	6 - 4
7	Programming	7 - 1
7.1	Key functions in programming mode	7 - 1
7.2	Calling up a menu	7 - 1
7.3	Menu Pr2--	7 - 2
7.3.1	Pr 201 Checkout dialog	7 - 2
7.3.2	Pr 204 Switching between scale / POS display on 1/4 VGA display and CS 300 SD	7 - 3
7.3.3	Pr 206 Active zeropoint monitoring	7 - 4
7.3.4	Pr 209 tare function	7 - 5
7.4	Menu Pr 4--	7 - 6
7.4.1	Pr 401 0-LED on the scanner	7 - 6
7.4.2	Pr 404 Setting display type	7 - 7
7.5	Menu Pr 7--	7 - 7
7.5.1	Pr 701 Switching the fine resolution display on	7 - 8
7.5.2	Pr 703 Display load cell type	7 - 8
	Pr 703 Operating procedure	7 - 9
7.5.3	Pr 705 Logbook control	7 - 9
	Calling up logbook entries with P displays.	7 - 10
	Calling up logbook entries on CS 300 SD	7 - 11
	Calling up logbook entries with WS display	7 - 14
7.6	Overview of programming	7 - 16
8	Troubleshooting	8 - 1
8.1	Fault description	8 - 1
8.2	Messages	8 - 1
9	Maintenance	9 - 1
9.1	Cleaning	9 - 1

9.2	Servicing	9 - 1
10	Technical data	10 - 1
10.1	Dimensions	10 - 1
10.2	Dimensions of CS displays	10 - 1
10.3	Power supply	10 - 3
10.4	Ambient conditions	10 - 3
	Subject index	11 - 1
	Appendix	
	Declaration of conformity CS 300	

1 About these instructions

Read the operating instructions carefully before connecting and switching on the device so that you can make most of the device's quality and possible applications.

These operating instructions explain how to operate and set the device.

Bizerba products undergo continuous further development and are subject to different country-specific regulations. Examples of pictures and graphics included in these instructions may vary from the version you have received.

1.1 Safe-keeping

These operating instructions are an integral part of the device and must be kept next to it, easily accessible for all personnel. If the device is resold, the complete operating instructions must be provided with it.

1.2 Target group

The device may only be operated by trained personnel. This means that the operator must be familiar with the contents of these operating instructions.

Installation, maintenance and repairs must be performed by Bizerba authorized personnel only.

1.3 Additional applicable documents

Declaration of conformity for scale/cash register systems

The declaration of conformity referring to the scale (w/o connected cash register system) is part of the Bizerba operating instructions.




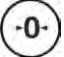
The manufacturer of the cash register and the owner of the complete scale/cash register system must ensure that a declaration of conformity exists for the complete scale/cash register system.

This may e.g. happen through an authorized and notified body (verification office) or an authorized manufacturer (e.g. Bizerba) to start conformity determination for the complete scale/cash register system at site.

Any modification to the system must be covered with a declaration of conformity.

1.4 Symbols used

Various symbols are used in these instructions.

Icon	Meaning
	Text with arrow prompts you to carry out an action.
<Key>	Text within < > refers to a key.
<Key> + <key>	Key combination. Press and hold first key, press second key.
"Display"	Text inside a " " refers to display text.
	Position number in figure.
	The key symbol prompts you to press this key.
	The key symbol prompts you to press this key.

Information



Additional information for better understanding.

Please note

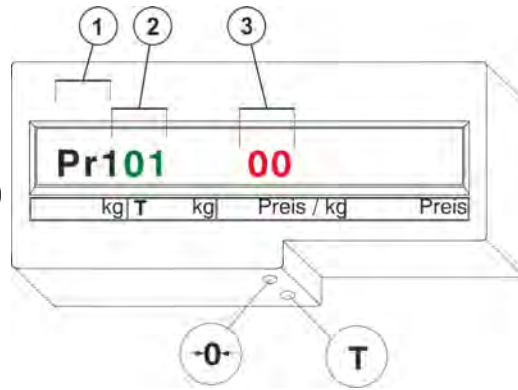


Observance of these notes is mandatory.

Menu settings

Menu settings are the prerequisites for descriptions of operation procedures.

Example: Pr101.....00



	Example	Description	Display
①	Pr 1	Menu (program)	"Pr1"
②	01	Program number	"01"
③	00	Menu setting	"00"

1.5 Warnings

Warnings are divided into danger levels by the signal word above the warning symbol. Structure of warnings and meaning of signal words are described in these instructions as follows.

DANGER



Source of danger with high risk of imminent danger to persons!

The consequences are:
life threatening injuries,
severe damage to health.

- Measures to avoid the danger are specified.

WARNING



Source of danger with medium risk with potentially threatening danger for personnel!

The consequences can be:
serious injuries,
damage to health,
serious damage to property.

- Measures to avoid the danger are specified.

CAUTION

Source of danger with slight risk with potentially threatening danger for personnel!

The consequences can be:

**injuries,
damage to property.**

- Measures to avoid the danger are specified.

CAUTION

Source of danger, improper use!

Damage to property can result.

- Measures to avoid the danger are specified.

2 About the device

2.1 Device types

For different installation situations at single POS workstation the CS is available in various models.

- ① CS 300 TE built-in tabletop model
- ② CS 300 TE tabletop model

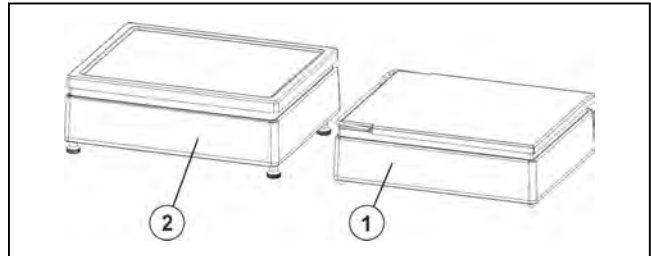


Fig. 1: CS 300 TM / TE

- ③ CS 300 ER built-in with roller conveyor

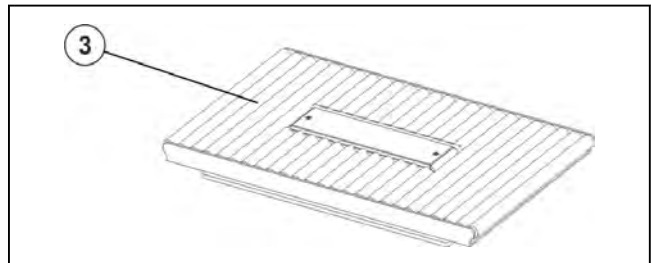


Fig. 2: CS 300 ER

- ④ CS 300 MA 84 integrated in Datalogic 8300 / 8400 scanners

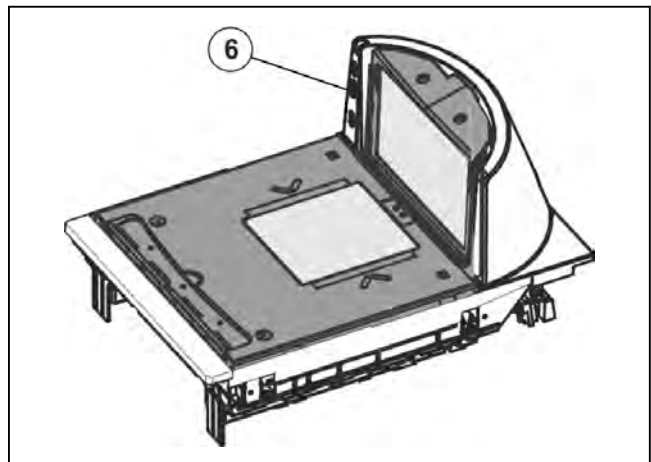


Fig. 3: CS 300 MA 84

2

- ⑤ CS 300 MA 98 integrated in scanner.

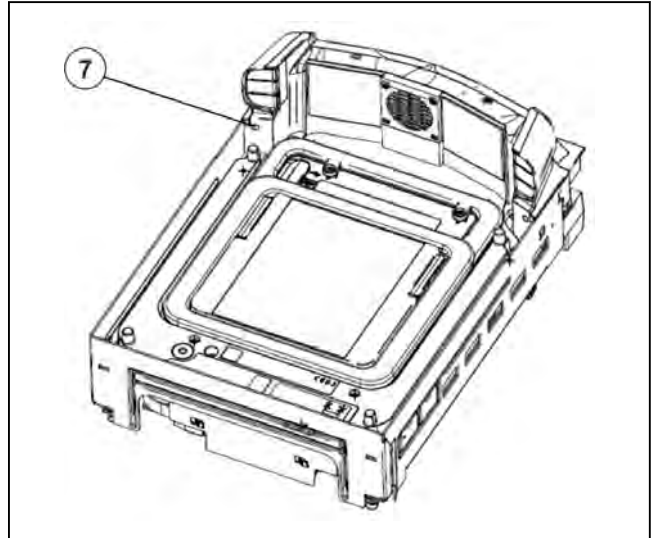


Fig. 4: CS 300 MA 98

- ⑥ CS 300 MA 94 integrated in scanner.

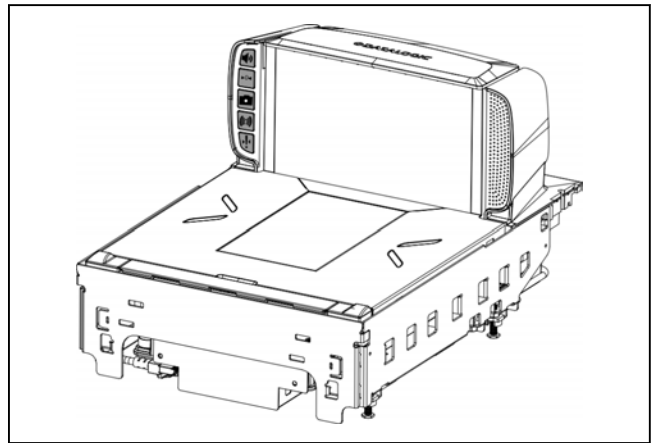


Fig. 5: CS 300 MA 94

2.2 Accessories

Bizerba offers a wide range of accessories for this device. For further information, please contact your Bizerba specialist.

2.3 Intended use

The CS cash register scale in conjunction with a cash register (POS) system has been designed for checkout operations.

2.4 Identification plate

Example of an identification plate of a verified scale with EC type approval.

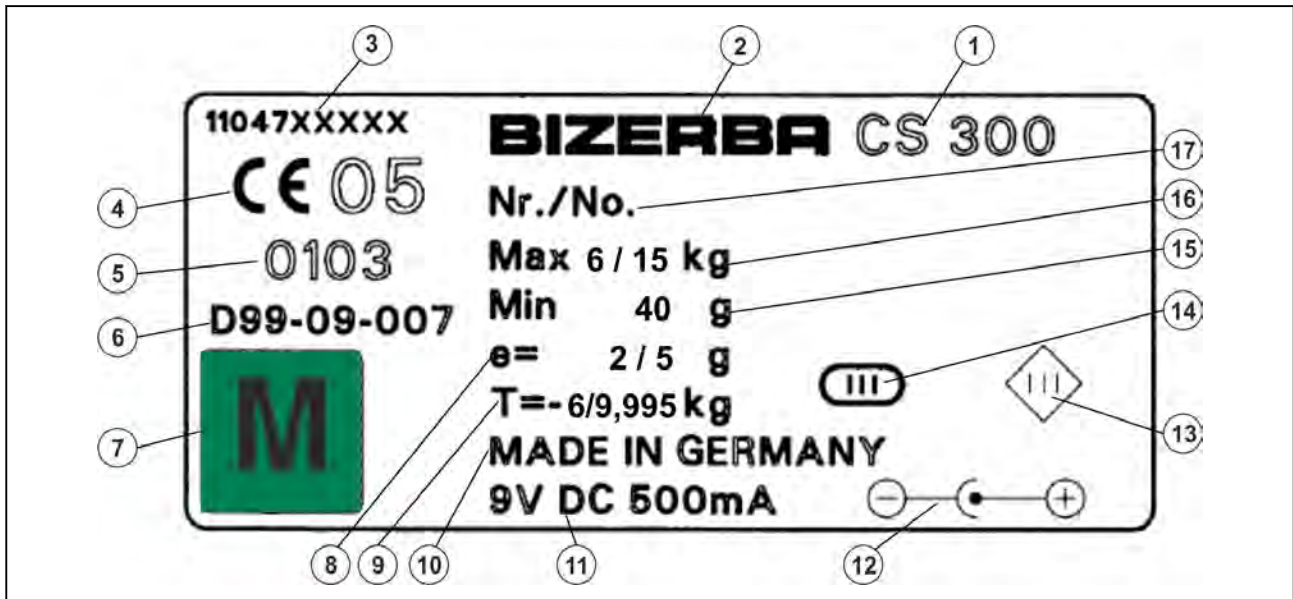






Fig. 6: Example of an identification plate

Explanations of the individual labels with example values:

1	CS 300	Type designation
2	BIZERBA	Manufacturer
3	11047xxxxx	Identification plate no.
4	CE 05	CE identification with the last two digits of the year in which the CE certification was applied.
5	0103	Identification number of the appointed body "Verification Management - Stuttgart".
6	D99-09-007	No. of EC type approval
7		green square mark with letter M (metrology mark)
8	e = 2/5 g	Verification value e, 0-6 kg = 2 g / 6-15 kg = 5 g
9	T= -6/9.995 kg	Subtractive maximum tare load 0-6 kg for preset tare value 0-9.995 kg for tare weighing
10	MADE IN GERMANY	Country of manufacture
11	9V DC 500mA	Electrical data
12		Connector for plug-in power supply
13		Symbol for protective low voltage, protection class 3

14		Scale accuracy class III
15	Min 40 g	Minimum load 40 g
16	Max 6/15 kg	Maximum load 0-6 kg first interval range 6-15 kg second interval range
17	Nr./No.	Device no.

2.5 Verification-related notes



Note related to scales that have been used in Germany since 1/1/2015.

If new or refurbished devices [...] are used, they need to be registered at the notified authority according to state law, at latest six weeks after setting into operation.

This, however, is not mandatory for accessory components.

Metrological / verification information for EC countries

On the identification plate of the scale there is the green **M** (metrology mark). This type of scale can be commissioned and used in-situ, providing that it is not connected to an additional set-up (e.g. printer).

Scales that are connected on site to an additional device must have the conformity valuation carried out either by the responsible verification office or by a Bizerba verification engineer. Scales as well as the additional device must be tested and verified. If the scale with add. device meets the verification-related requirements, it can be used in operations that are subject to verification. In the case of extensions at a later date, once the scales have already been put into operation, the relevant verification office must be informed.

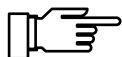
Scales and additional devices not bearing the EC mark and without any mark of conformity may not be used in transactions subject to verification.

Scales that have been adjusted to a certain gravity zone (gravitational acceleration) (see data on identification plate), must not be applied in other gravity zones without being adjusted and verified accordingly.

According to statutory regulations, the user of a scale must ensure that it is used for its intended purpose. This includes observation of the verification guidelines, in particular amendments, supplements and additions.

Information on verification (early re-verification)

The verification of a scale is executed according to the respective statutory country regulations. The verification validity period in Germany, for example, is generally 2 years for non-automatic scales. The verification validity period begins when the scales are put into circulation (installation and commissioning).



A yellow mark of conformity is affixed to the load receptor of the scale, with the inscription "Gesichert von BIZERBA" (for these scales the valuation of conformity has been carried out by Bizerba). Verifications must be carried out by the operator of the scale according to the legal requirements.

Verification-related notes for non-EC countries

The statutory regulations of the specific countries must be observed.

2.6 Standards and guidelines

Measuring technology	
Directive 2009/23/EC	Scale directive "non-automatic scales"
DIN EN 45501	Metrological aspects of non-automatic scales.
OIML R76-1	OIML- recommendation for non-automatic scales. Organisation internationale de métrologie légale Nonautomatic weighing instruments
WELMEC 2.3	Guideline for software testing
Handbook 44	Specifications, tolerances and other technical requirements for weighing and measuring devices (USA)
Publication 14	Weighing devices, Checklist, Test procedures (USA) Weights and Measures Act (Canada)

Electromagnetic compatibility	
Directive 2004/108/EC	EMC Directive
DIN EN 61000-6-1	Immunity to interference Living area, business and industrial areas as well as small businesses
DIN EN 55022	Interference emission for information technology equipment
DIN EN 61000-3-2	Harmonic currents
DIN EN 61000-3-3	Voltage fluctuations and flickers
GB 9254-1998	Information Technology Equipment - Radio Disturbance Characteristics - Limits and Methods of Measurement

Electrical safety	
Directive 2006/95/EC	Low voltage directive
IEC 60950-1	Information Technology Equipment - Safety
DIN EN 60950-1	Information Technology Equipment - Safety
UL 60950-1	Information Technology Equipment - Safety

2.7 Operating conditions

Do not install or set up devices until the operating conditions have been fulfilled.

- **Temperature and air humidity**
The permitted values and protection type can be found on the identification plate on the device and in the chapter Technical data.
- **Installation surface**
Make sure to install the device on a level surface in a dry place free of vibration and oscillation and protected from drafts.
Vibrations can affect measurements made by the scale.
- **Aligning horizontally**
To ensure the precision of the sale, it is of absolute necessity that the device is aligned horizontally.
- **Draft**
Air drafts can affect the measurements made by the scale.
- **Air convection**
In order to prevent unacceptable heating, there must be free air convection around the device.
- **supply voltage**
The permitted values can be found on the designation plate on the device and in the chapter on technical data.
- **Trained personnel**
Only trained personnel can maximize the performance of the device and avoid risks.
- **Written consent for modifications**
Changes to the devices require prior written consent of Bizerba. External data dialog between Bizerba equipment and third-party devices, the hardware and software required as well as test and modification work must be clarified with Bizerba in writing.

Please contact the responsible Bizerba customer service department if you have any doubts concerning the practical application of these conditions.

For other manufacturers' equipment included in Bizerba's scope of supply, the respective manufacturer's regulations take preference if they deviate from Bizerba's conditions.

2.7.1 Power supply

The installation of the power supply for connecting to Bizerba devices must be carried out in accordance with the international specifications and the regulations derived from them. These essentially include the recommendations of at least one of the following commissions:

- NEC (UL)
- International Electro-technical Commission (IEC)
- European Committee for Electro-technical Standardization (CENELEC)
- German Association for Electrical, Electronic and Information Technologies (VDE)

Bizerba devices must be connected to a protective conductor.

Interference suppression

2

If the mains power supply is subject to electric interference, interference suppression measures must be taken on site, e.g.:

- provision of separate mains line to our devices.
- In case of problems, insertion of capacitively decoupled isolating transformers or other suppressors into the mains supply lines to Bizerba device.

2.8 Warranty

Installation, commissioning and initial training must be carried out by trained Bizerba sales office or customer service personnel, or by companies commissioned by Bizerba.

Bizerba is not responsible for damages caused by:

- non-observance of operating conditions and operating instructions.
- defective electrical installation by the customer.
- structural changes to the devices.
- removal of verification seals and safety stamp marks.
- incorrect programming and operation.
- natural wear and tear.

The warranty will lapse, if:

- defects/damages occur as a result of interventions by persons not authorized by Bizerba.
- any spare parts or operating material other than original Bizerba ones are used.
- any thermal ticket rolls and labels other than original Bizerba ones are used.
- Labels and thermal ticket rolls are used, which have not been manufactured to Bizerba specification or approved by Bizerba.

If you reset or program devices, check the new setting with a test run and test printout. This helps to avoid incorrect results.

Only trained staff may operate the devices.

Check that Bizerba products are handled correctly and repeat training if necessary.

Bizerba products undergo continuous further development and are subject to different country-specific regulations. Examples of pictures and graphics contained in these operating instructions may vary from the version which you received.

2.9 Disposal of devices/environmental protection



Only valid for Germany!

Batteries are fitted in this device which are subject to the Battery Ordinance on the return and disposal of used batteries.

This ordinance requires you, as the end user, to return the device to the manufacturer or dealer, at the end of its proper use, for the purposes of recycling and correct disposal.

Bizerba and its dealers are naturally willing to take back these defunct old devices.

Please contact your specialist in these cases.

If your device contains a rechargeable battery, you are required by the Battery Ordinance to return the used battery to the dealer or the public return points provided for this purpose.

Naturally, Bizerba and its dealers will also take back the used batteries.

2

3 Safety instructions

The safety instructions must be observed throughout the installation, operation, cleaning and maintenance procedures.

3.1 Requirements for operating personnel

The device must only be operated by personnel trained in the operation of this equipment. The operating personnel must read and understand the safety instructions in these operating instructions.

Please pay special attention to and memorize all safety and hazard information! Carry out regular training!

Operators (purchasers) as well as supervisory and operating staff must carry out programming and data protection on Bizerba systems and devices exclusively in accordance with the Bizerba operating and programming instructions.

Only use equipment for its intended purpose.

3.2 System-related sources of hazards

WARNING



Incorrect supply voltage!

Destruction of electric components, fire hazard.

- Do not connect device to the main supply if the mains data do not correspond to the supply data of the device.
Mains data must be identical.
- Inform Bizerba Customer Service.



Check before connecting to mains!

Before connecting the device, check

- mains data on identification plate.
- mains data of the mains supply.

CAUTION



Switched-off device energized!

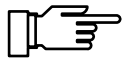
Even when the device is switched off, the device electronics is energized.



- Pull out the power plug to de-energize the device.

WARNING**Opening the device!**

- Opening the device must be carried out by trained and qualified Bizerba personnel only.

**Repair or service works on scanner!**

- Repairs or services to the optical scanner unit are only performed by the responsible cash-desk or scanner supplier.
- Do not lift the scanner by the load carriers or by the weighing system!
- For installing and deinstalling the scanner adhere to the installation instructions of the scanner manufacturer.

3.3 Plates on the device**Plate****Description**

Pull power plug before moving the machine.



Beware of hazardous electric charge.



SD adhesive mark. If you have acquired a license for the software display, an SD adhesive mark comes with the software. Attach adhesive mark next to the identification plate of the weighing system.

4 Installation

Installation

CAUTION **Incorrect use of weighing system!**

Damage of weighing system.

- Do not lift the weighing system at the load arms.
-

4

- ① Load arms
- ② Weighing system

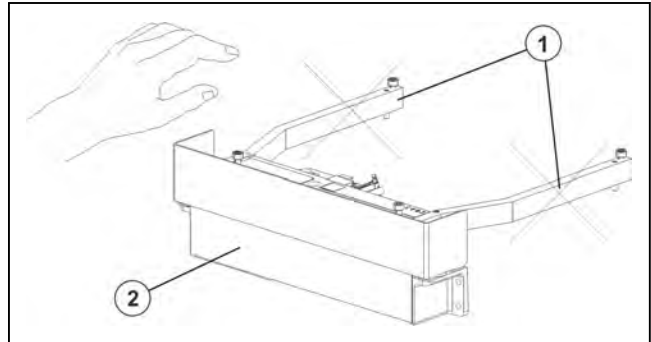


Fig. 7: Weighing system

The weighing systems have been pre-set and verified ex-factory. The weighing systems therefore do meet the requirements of the verification regulations.

In order to guarantee that the weighing system is still conform with these regulations after installation into scanner and complete scanner scale into POS counter, the points described in these installation and assembly instructions must be absolutely adhered to.

CAUTION **No correct cable routing when inserting the weighing system into a scanner!**

Cables get into contact with mobile parts of the weighing system. A shunt force is generated and the weighing results are not correct.

- Route the cables in a way that no mobile parts get into contact with the system.
-

Bizerba products undergo continuous further development and are subject to different country-specific regulations.

Pictorial and graphic examples in the installation and assembly instructions may differ from the supplied version.

4.1 Transport and storage

Always transport and store the device in its original packaging.

4.2 Installation and assembly

The weighing system is firstly installed in the scanner by the POS or scanner supplier and then assembled to the POS counter on site.

The cover plate of the scanner serves as the load platter.

4**Take note:**

- The weighing system is a sensitive measuring system and can be damaged if improperly used.
- Only qualified personnel must assemble and operate the scale.
- Please note that you should read the installation instructions provided by the scanner manufacturer for installation and deinstallation.
- Repairs or services to the scanner unit are only carried out by the responsible POS or scanner supplier.

4.2.1 Requirements on place of installation

The place of installation must fulfil the following conditions.

- Installation surface must be level.
- Make sure to install the device in dry place free of vibration and oscillation and protected from drafts.
- For units requiring metrological approval, the operator must have a clear view of the weighing location from the terminal.

Preparation of mounting area:

- The cutout in the POS counter and the installation are both to be carried out in accordance with the scanning manufacturer's instructions.
- The cutout in the POS counter must fit with the size of the scanner with the weighing system.
- make surwe that the mounting area in the POS counter allows access to the cable connections from the bottom.
- Make sure that the mounting area in the POS counter allows lifting of the scale by accessing it from the bottom.
- Make sure that the bottom of the mounting area does not catch dirt or foreign bodies that fall between the load platter and mounting frame. Dirt must not deposit at the bottom of the POS counter or on the scale.
- Secure devices against lateral displacement (lower edge of housing).
- Set up devices based on operation, work flow and maintenance aspects.

4.2.2 Mains supply

WARNING




Incorrect supply voltage!

The consequences can be:

Destruction of electric components, fire hazard.

- Compare the data of the supply voltage with the specifications on the device identification plate.
- Do not connect the device to the electric mains if the data of the supply voltage do not match the connection values of the device.
- Inform Bizerba Customer Service

Bizerba devices are built according to VDE protection  (extra-low voltage) and must be connected to a plug-in power supply unit with extra-low voltage.



This product is to be power-supplied via a listed plug-in transformer unit with identification class 2 and the electric nominal values 9V DC, 500mA.

4.2.3 Installation between Bizerba devices and devices from other manufacturers

Installation must be carried out by a specialist and is usually done by the Bizerba service.

4.3 Start-up

Putting into operation, as well as instruction on the operation, cleaning, maintenance and servicing is carried out by the relevant Bizerba customer services office or the Bizerba trade consultant.

4.3.1 Switching on device

Requirement:

- The device has been installed properly and connected to the mains power supply.
- The scale must not be loaded.

⇒ Switch on device.

4.3.2 Checking the scale for freedom of movement

① Center of load platter

② Display

4

Preparation

- ➔ ② Connect the display.
- ➔ Connect the power supply to the scanner.
- ➔ Set the display to zero with the push-button

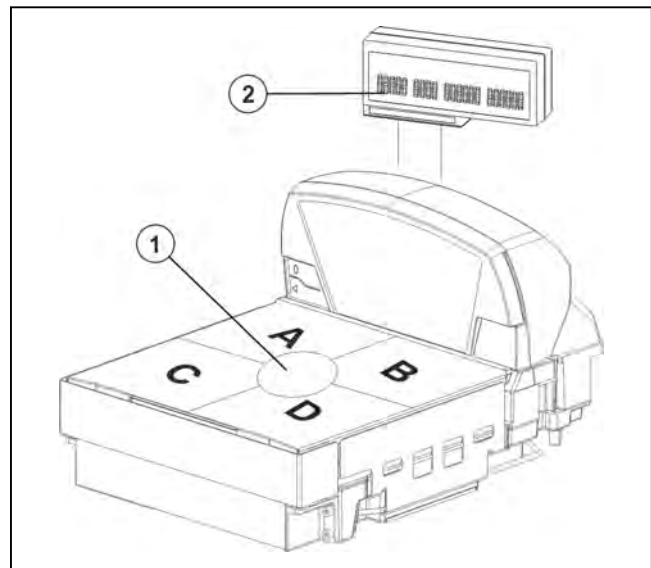


Fig. 8: Check

Check

- ➔ Place maximum load (6 kg or 15 kg) in the center of the load platter. The display must indicate the max. load.
- ➔ Shift the max. load to the center of positions A, B, C and D. The display must indicate the max. load in every position.
 - In case of 6 kg variant e.g. between 5.996 kg and 6.004 kg.
 - In case of 12 kg variant, between 11.990 kg and 12.010 kg.

If the maximum load is not reached, check the possible causes.

Possible causes

③ Load platter

④ Adjusting screws

load platter does not move freely

Loosen the screws of the load frame until the max. load is reached. Pay attention to the nominal size.

The overload stop devices are not set for the scanner housing.

Adjust overload stops, see Setting overload stop

- ➔ Remove weight

The display must return to the zero position..

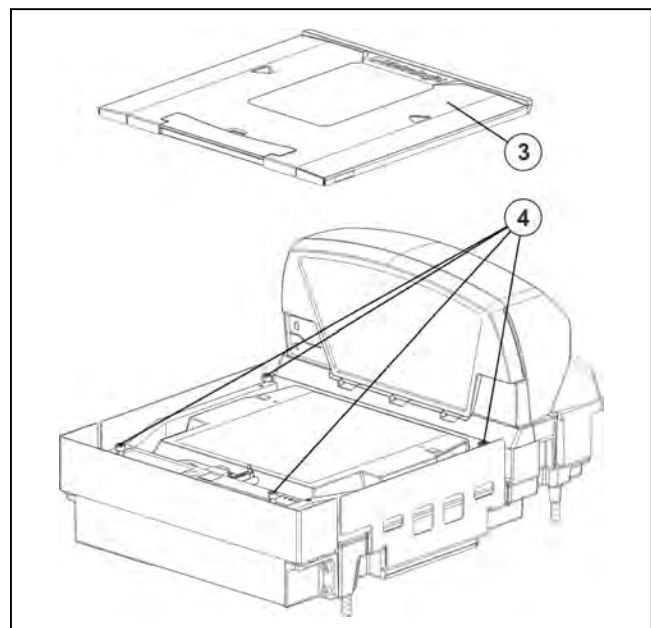


Fig. 9: Overload stop devices

4.4 Decommissioning

If you wish to place the scale out of operation for a long period of time,

- switch off the scale.
- Unplug the mains cable and all cable connections.
- Clean the scale following the cleaning instructions.

4.5 Mounting the device

Unpacking

Open packaging, remove accessories and lift the device carefully out of the packaging.

4.5.1 CS 300 TM

The CS 300 TM (tabletop model) is placed on the POS counter.

Ⓛ	Length:	340 mm
ⓑ	Width:	275 mm
ⓗ	Construction height:	101 mm



Fig. 10: CS 300 TM

Set-up scale CS 300 TM

➔ Turn adjusting screws ② until scale is in horizontal position.

If the air bubble in the spirit level ① is in the center, **A** as shown in the picture, the scale is in horizontal position.

- ① Spirit level
- ② Adjusting screws
- ③ Cable connections
- ④ Display (P/W)
- ⑤ POS with verifiable printer
- ⑥ Operating keyboard POS/scale

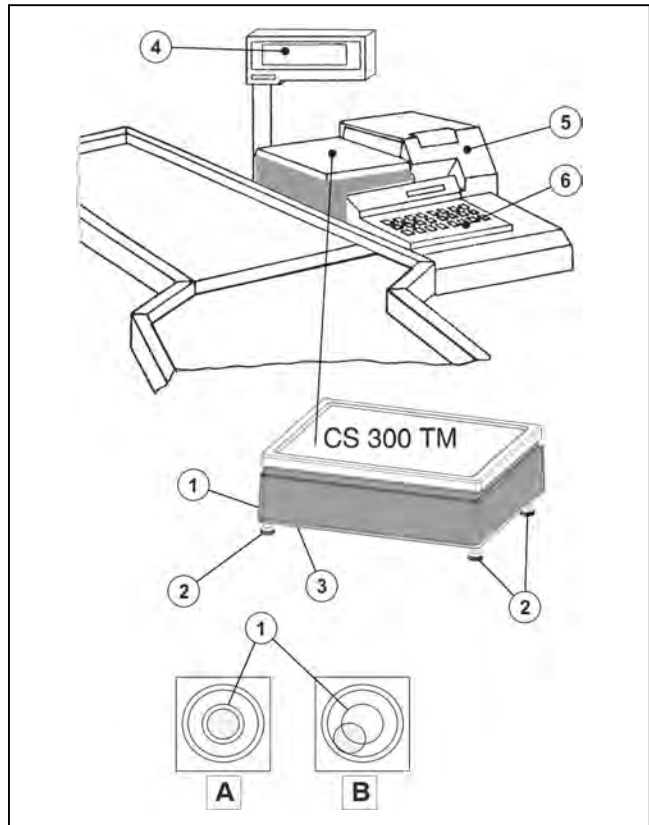


Fig. 11: Installation example

Connecting the scale CS 300 TM

- ① Spirit level
- ② Connector for power supply
- ③ Display connector
- ④ POS connector
- ⑤ Strain relief (disc)

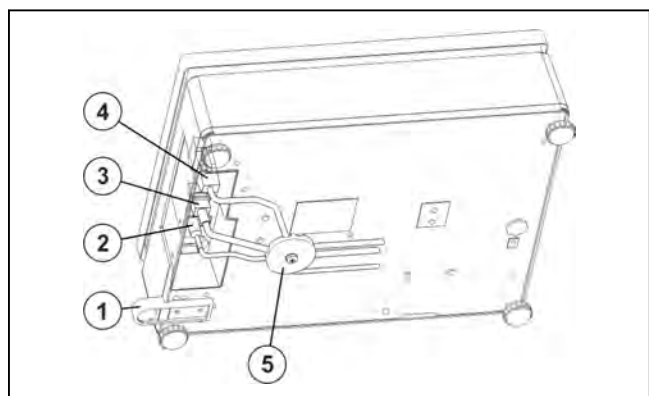


Fig. 12: Cable connections CS 300 TM

Lay and connect cables.

- ➔ Route POS cable ④ properly and connect it to scale.
- ➔ Route display cable ③ properly and connect it to scale.
- ➔ Insert connector for power supply cable ② into scale and lay it properly toward the socket.

Relief cable tension

The strain relief and screw are contained in the accessory kit.

- ➔ Place all cables under relief strain ⑤.
 - ➔ Screw the relief strain directly under the scale.
- The cables are now strain-relieved.

4.5.2 CS 300 TE

The CS 300 TE (built-in tabletop model) is intended for installation in POS counter.

Scale dimensions

Ⓛ	Length:	335 mm
ⓑ	Width:	270 mm
ⓗ	Construction height:	96 mm

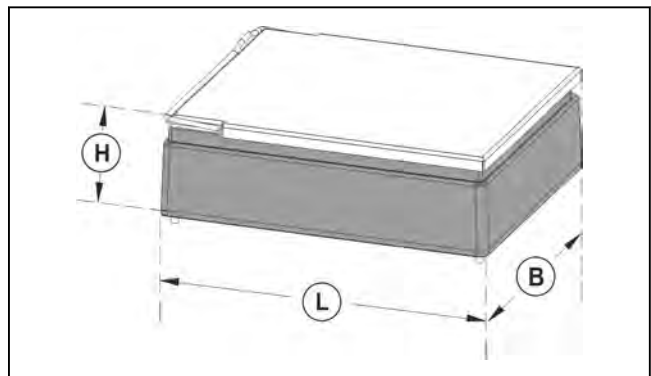


Fig. 13: CS 300 TE dimensions

Scale built-in

- ① Mounting frame
- ② Depth - mounting area
- ③ Counter upper edge
- ④ Load platter
- ⑤ Adjusting screws

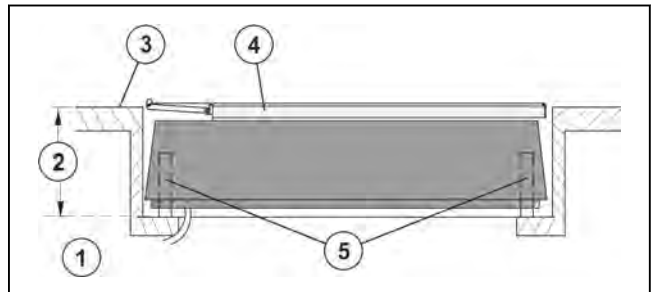
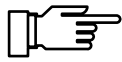


Fig. 14: Scale built-in

Installation of scale CS 300 TE in the POS counter

Requirement

- The counter installation depth must be 5-25 mm higher than the construction height (96 mm).
- The counter cutout should be dimensioned so as to provide a uniform spacing of 2-3mm between the load platter and the table cutout on all sides.

**Take note:**

- Cables must not touch movable parts of the scale.
- Prevent accumulation of dirt between the mounting frame and load platter. (Weight falsification) Make sure that the scale has a free play.

Mounting scale

- ➔ Remove the load platter (4). The spirit level (6) is under the load platter.
- ➔ Measure the depth of the mounting space (2) at the support points of the adjusting screws.
- ➔ Adjust the scale by means of adjusting screws (5) to the height of the upper counter edge plus 1-2 mm.
When the load platter is removed (4), the screws can be adjusted from the top using a hexagon spanner SW4.

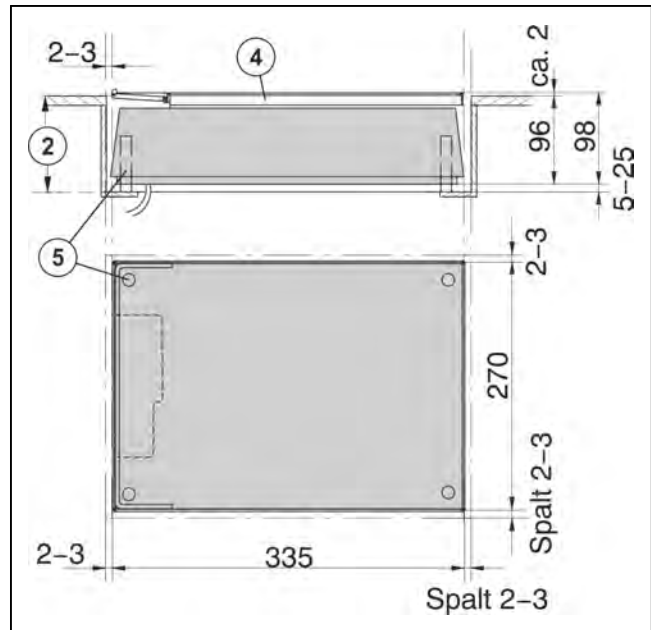


Fig. 15: Installation dimensions

- ➔ Turn adjusting screws (5) until the scale is in a horizontal position.
If the air bubble in the spirit level (6) is in the center, **A** as shown in the picture, the scale is in horizontal position.

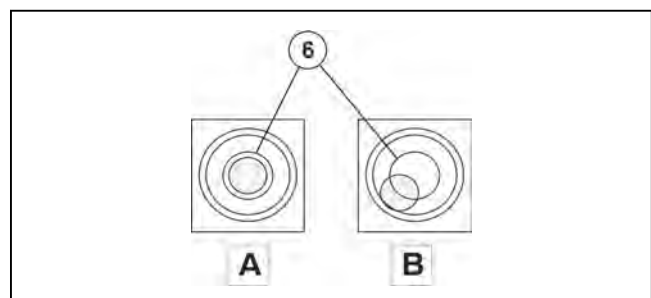


Fig. 16: Spirit level

- ➔ Reattach the load platter and check if the scale is installed correctly.
The scale height must be 1-2 mm higher than the upper counter edge.

Connecting the scale CS 300 TE

- ① Connector for power supply
- ② Display connector
- ③ POS connector
- ④ Strain relief (disc)

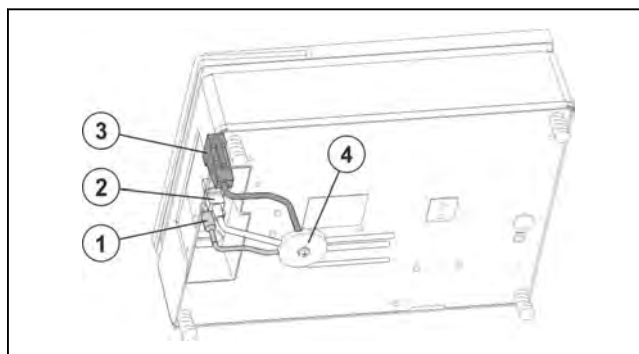


Fig. 17: Cable connections CS 300 TE

Lay and connect cables.

- ➔ Route POS cable ③ properly and connect it to scale.
- ➔ Route display cable ② properly and connect it to scale.
- ➔ Insert connector for power supply cable ① into scale and lay it properly toward the socket.

Relief cable tension

The strain relief and screw are contained in the accessory kit.

- ➔ Place all cables under relief strain ④.
- ➔ Screw the relief strain directly under the scale.
The cables are now strain-relieved.

4.5.3 CS 300 ER-K

The CS 300 ER-K (**Built-in rollerconveyorCompact**) is designed for installation in POS counter and for attachment of collar conveyor..

4

- ① Scale
- ② Roller conveyor
- ③ Spirit lever under roller conveyor
- ④ Adjusting screws

Dimensions of scale and roller conveyor

The outer dimensions (length/width/depth) of CS 300 ER-K depend on the attached roller conveyor.

- Ⓛ 350-421 mm depend. on roller conveyor
- ⓑ 250-280 mm depend. on roller conveyor
- Ⓣ 39.9 mm

Roller conveyor

Weight of roller conveyor max. 3,15 kg.

The roller conveyor must meet the specified requirements (dimensions, weight).

Modifications to the scale are not permitted.

After adjusting and fastening the scale, the roller conveyor ② is placed on the scale load platter without being fixed ①.

Fix it through the cutout in the counter.

Pay attention to the position. The cutout is asymmetric.

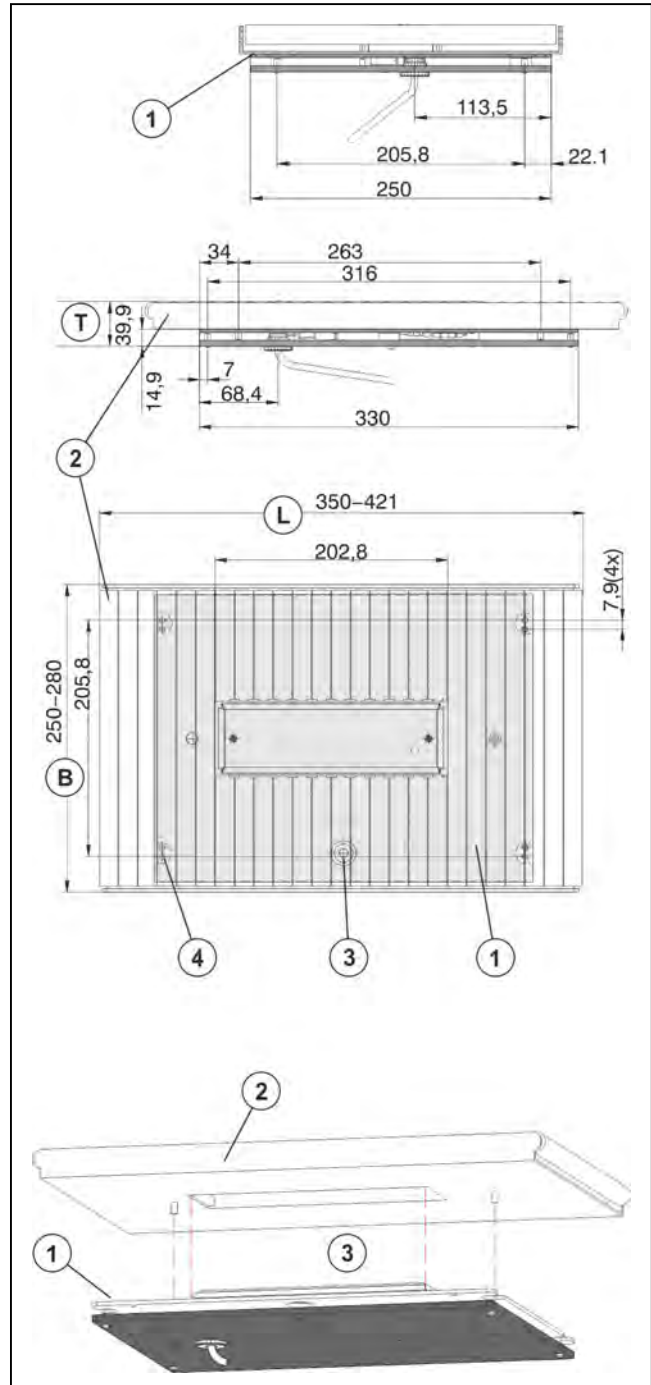


Fig. 18: Dimensions CS 300 ER-K

Installation of scale CS 300 ER-K into POS counter

Requirements

The mounting area or cutout in the POS counter should be dimensioned so as to provide a distance of min. 3mm to all moving scale parts including the roller conveyor.

- ➔ Measure the length and width of the roller conveyor.
 - The mounting area must be 3mm larger than the roller conveyor:
 - length of roller conveyor (L) 3mm
 - Width of roller conveyor (B) 3mm

Installation of the scale in the POS counter

- ➔ Remove the roller conveyor (2).
- ➔ Insert the scale into the mounting space.
- ➔ Align the scale so that there is a distance of min. 3mm between load platter or roller conveyor and installation frame on all sides.
- ➔ Turn adjusting screws until scale is in horizontal position.
 - If the air bubble in the spirit level (3) is in the center, the scale is in horizontal position.
 - Make sure that the upper edge of the roller conveyor (6) is flush with the upper edge of the POS counter or max. 2mm higher (5).
- ➔ Reattach the roller conveyor.
- ➔ Check the installation and adjust if necessary.
 - The scale can be fastened with fastening screws.

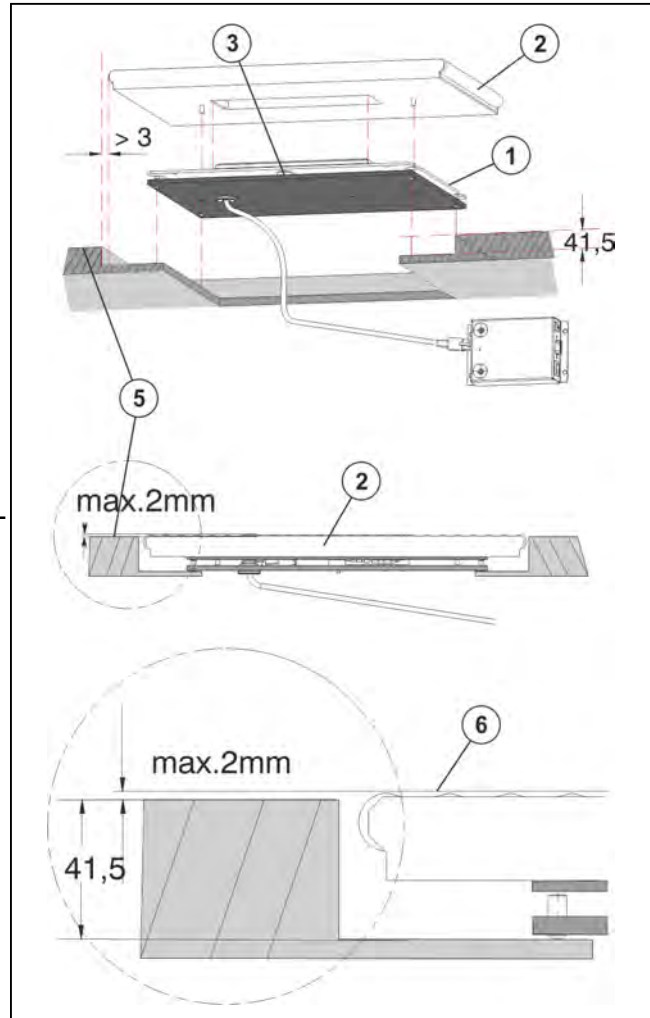


Fig. 19: Installing CS 300 ER-K

Connecting the scale CS 300 ER-K

- ① Scale cable
- ② Connector for power supply
- ③ POS connector
- ④ Display connector

Lay and connect cables

- ➔ Route display cable properly ④ and connect it to electronics box.
- ➔ Route POS cable properly ③ and connect it to electronics box.
- ➔ Route scale cable properly ① and connect it to electronics box.
- ➔ Insert connector for power supply cable ② into electronics box and lay it properly toward the socket.

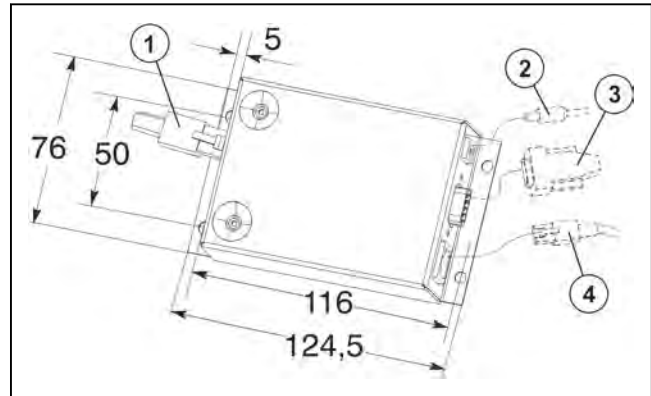


Fig. 20: Electronics box

4.5.4 CS 300 MA 84

Scanner (8300/8400)

The scanner is designed for mounting of weighing system. See instructions provided by scanner manufacturer.

The cover plate of the scanner serves as the load platter ①.

- ① Load platter
- ② Scanner
- ③ Threaded holes for weighing system

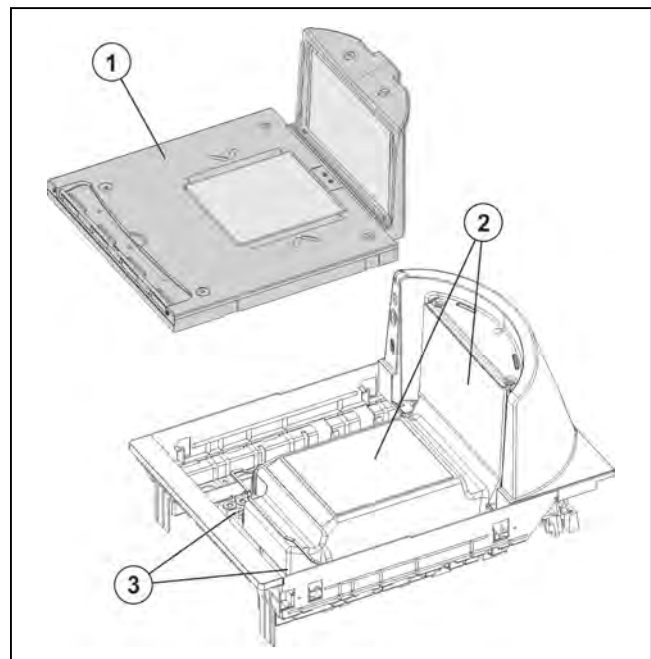


Fig. 21: Scanner

Load platter holders

Remove load platter holders (4) from the load platter.

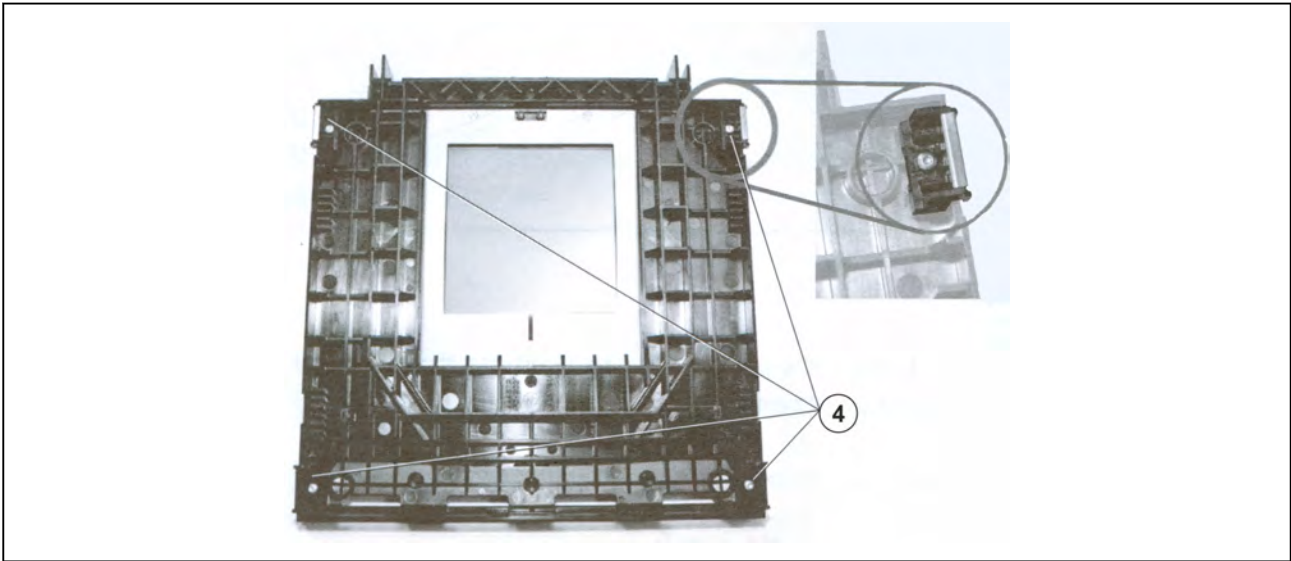


Fig. 22: Load platter with holders

Weighing system

The weighing system was preset and verified during manufacture. It is conform with the verification regulation.

The weighing system CS 300 MA 84 is firstly mounted to the scanner by the POS or scanner supplier and then installed into the POS counter on site.

CAUTION Incorrect use of weighing system!

Damage of weighing system

- Do not lift the weighing system at the (5) load arms.

(5) Load arms

(6) Weighing system

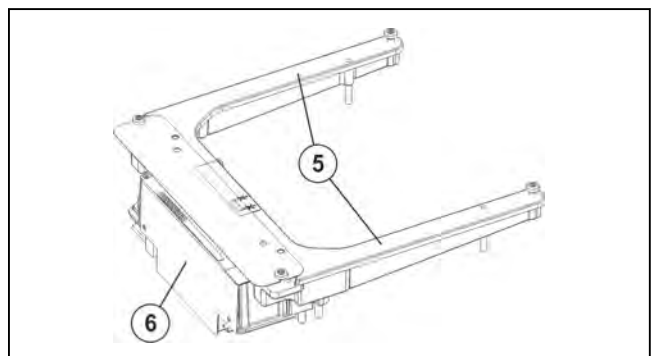
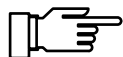


Fig. 23: Weighing system

Mounting the weighing system CS 300 MA 84



The scanner must not be connected.

- Unplug scanner.
- Please observe the scanner operating instructions .

CAUTION No correct cable routing when inserting the weighing system into a scanner!

Cables get into contact with mobile parts of the weighing system. A shunt force is generated and the weighing results are not correct.

- Route the cables in a way that no mobile parts get into contact with the system.

Connect scanner cable to adapter.

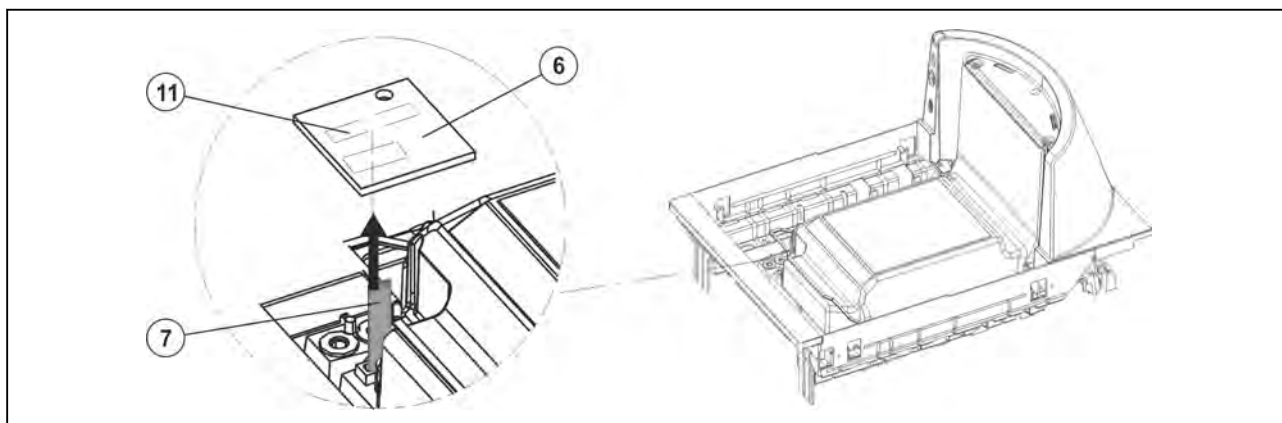


Fig. 24: Scanner cable

⑥ Adapter

⑦ Scanner cable

⑪ ZIF plug

➔ Connect the scanner cable ⑦ to the adapter ⑪ with the ZIF plug ⑥. Open fuse of ZIF plug, insert cable and close fuse.

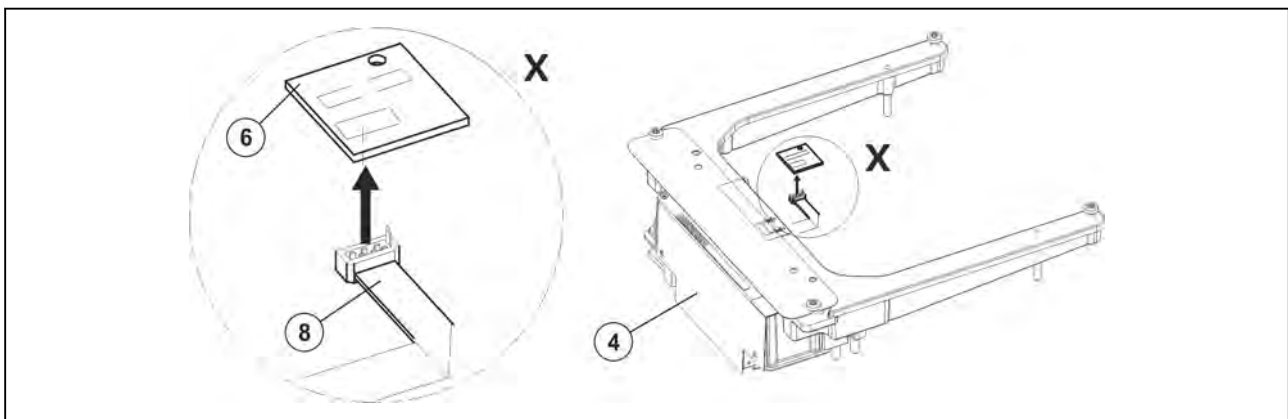
Connect cable from weighing system to adapter.

Fig. 25: Cable from weighing system

④ Weighing system

⑥ Adapter

⑧ Cable from weighing system

➔ Connect cable from ⑧ weighing system with adapter ⑥.

Installation of weighing system into scanner

- CAUTION** **Wrong screws for weighing system!**
The weighing system will be damaged.
- Use only the supplied screws.



Never lift the weighing system at the load arms.

4

- ② Scanner
- ④ Weighing system
- ⑨ 4 Fastening screws

- ➔ Carefully insert weighing system ④ into scanner ②.
- ➔ Screw weighing system ④ to the scanner ⑨ using 4 fastening screws ② (torque 6-7 Nm).

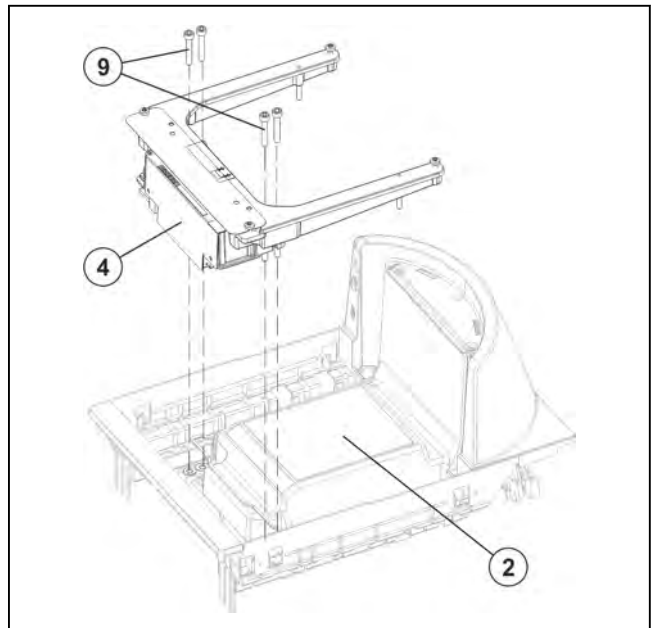


Fig. 26: Installation of weighing system CS 300 MA 84

Screw adapter to weighing system

- ② Weighing system
- ⑥ Adapter
- ⑩ Fastening screw

- ➔ Screw the adapter ⑥ to the weighing system ⑩ using the fastening screws ②.

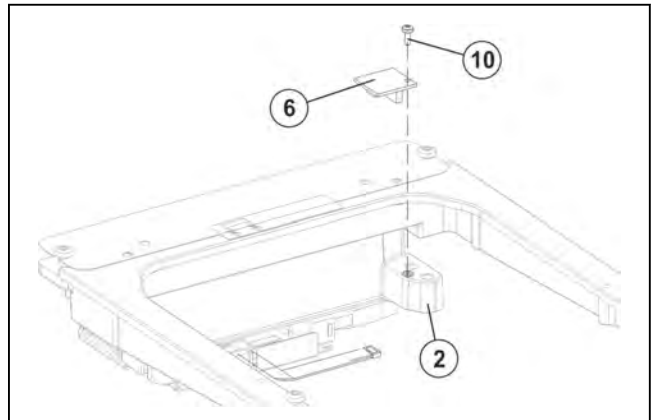


Fig. 27: Screwing adapter

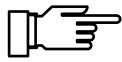
Installation of scanner with weighing system into POS counter

CAUTION

Do not lift scanner by weighing system!

The weighing system will be damaged.

- Do not lift the scanner by the load frame or the weighing system.



For installing and deinstalling the scanner adhere to the installation instructions of the scanner manufacturer.

Dimensions of scanner with weighing system

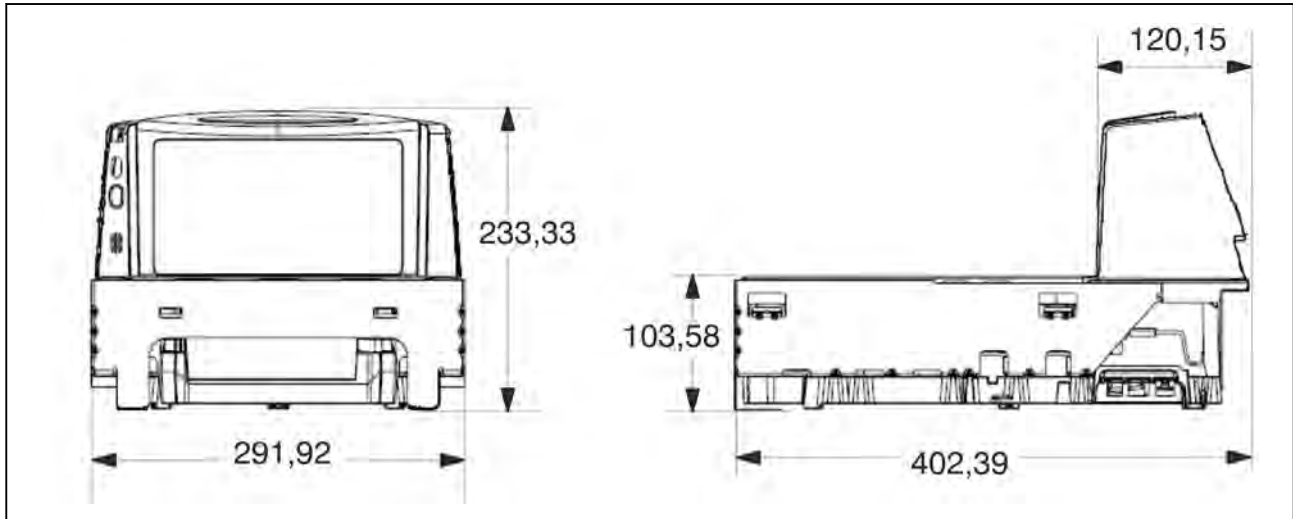


Fig. 28: Dimensions CS 300 MA 84

Installation in POS counter

- ① Load platter
- ② Scanner
- ⑬ Foot screws (4 pcs.)
- ⑭ POS counter

➔ Insert the scanner with weighing system into the counter cutout, see also instructions from scanner manufacturer.
Please make sure that the load platter is on the same height level as the POS counter.

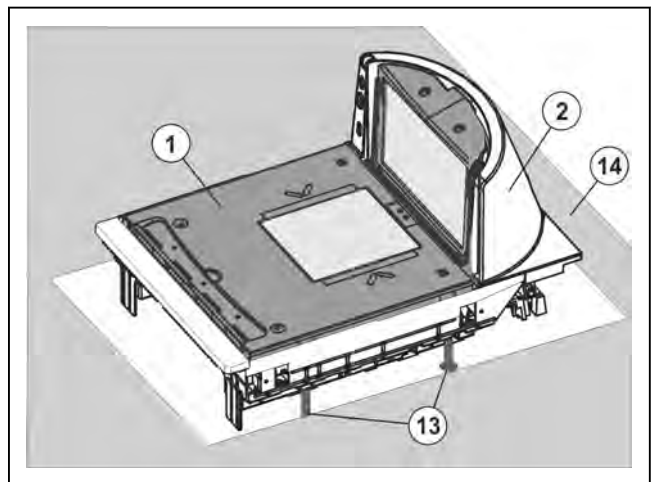


Fig. 29: Installation of CS 300 MA 84 in POS counter

Adjust load platter

- ➔ Place the load platter on the load platter supports of the weighing system.
- ➔ Adjust the load platter to the height of the POS counter by means of leveling.
- ➔ Check the distance between the load platter and the lateral limitations of the scanner housing.

There must be an even gap of approx. 2 mm between the load platter and lateral limitations of the scanner housing.

Correct, if need be, probable deviations accordingly, e.g. check counter cutout, adjust weighing system etc.

4

Leveling

⇒ Level the scanner (2) (weighing system) by means of a spirit level (15) by adjusting the POS counter (14) or adjusting the foot screws (13) or any other possible measure.

If the air bubble in the spirit level (15) is in the center, **A** as shown in the picture, the scale is in horizontal position.

- ⇒ Reattach the load platter and check if the scale is installed correctly.
- ⇒ Check the scale for freedom of movement.

See page 4 - 4

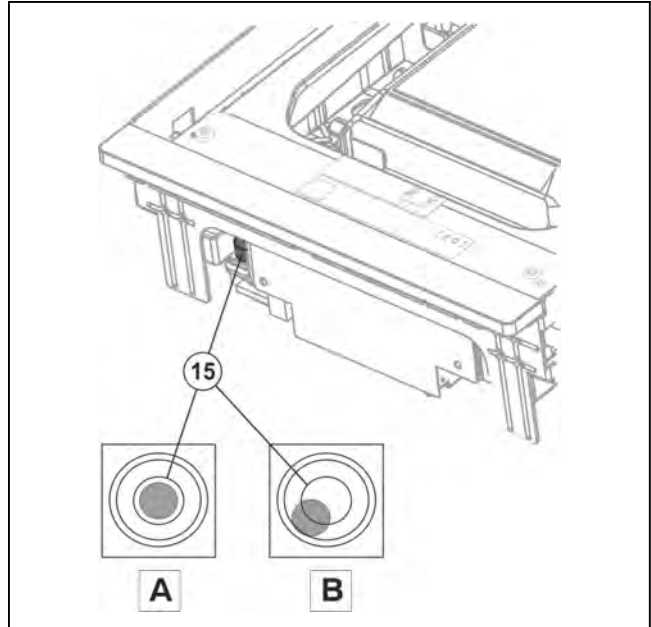


Fig. 30: Spirit level

Connecting CS 300 MA 84

Lay and connect cables

- (2) Scanner
- (16) Display connector
- (17) POS connector
- ⇒ Route display cable properly and connect it to the weighing system (16) (RJ-45 socket).
- ⇒ Route POS counter cable properly and connect it to weighing system (17) (SUB-D socket).

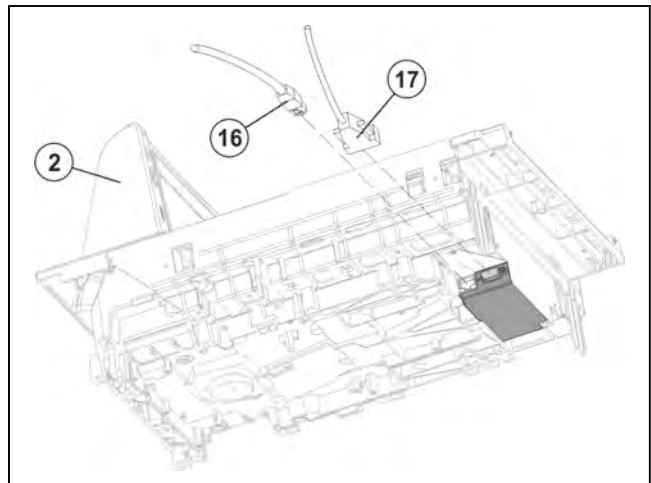


Fig. 31: Connectors CS 300 MA 84.

4.5.5 CS 300 MA 94

The scanner is designed for mounting of weighing system. See instructions provided by scanner manufacturer.

The cover plate of the scanner serves as the load platter (1).

- ① Load platter
- ② Scanner
- ③ Threaded holes for weighing system

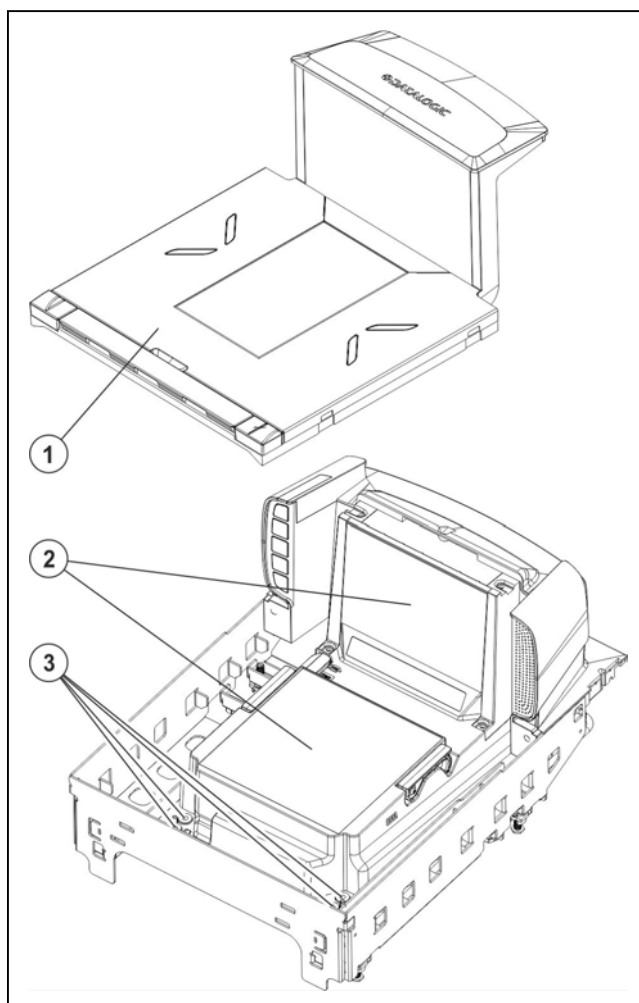


Fig. 32: Scanner and load platter MA 94

Load platter holders

Remove all four load platter holders from the bottom of the load platter ①. Use a suitable screwdriver (currently: Torx TX10, subject to change).

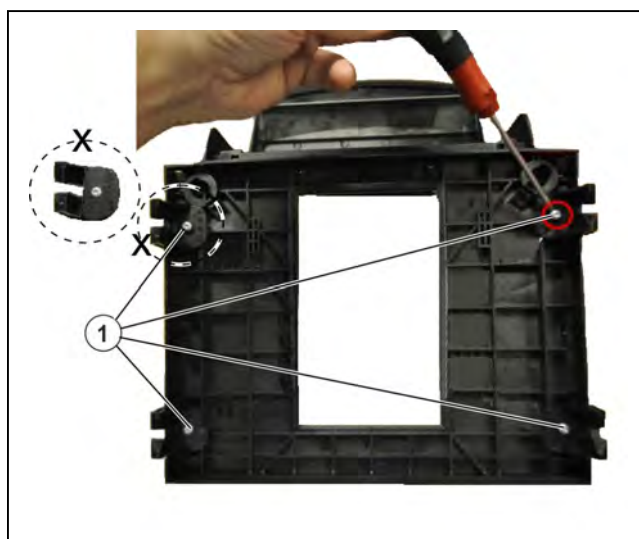


Fig. 33: Remove load platter holders MA 94

4

Remove another load platter holder ① from the top of the scanner head ③. Use a suitable screwdriver ② (currently: Torx TX10, subject to change).

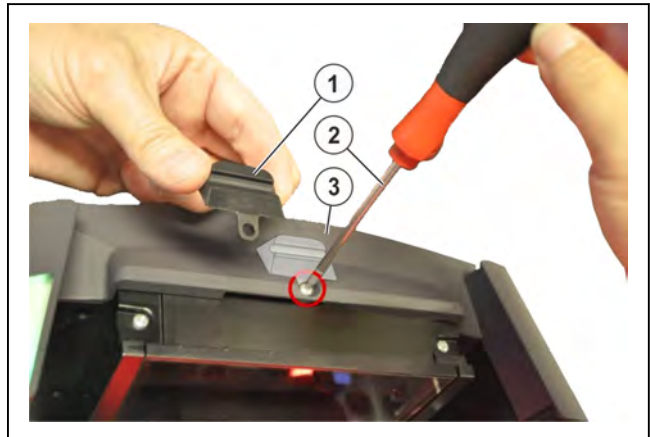


Fig. 34: Remove further load platter holder

Weighing system

The weighing system was preset and verified during manufacture. It is conform with the verification regulation.

The weighing system CS 300 MA 94 is firstly mounted to the scanner by the POS or scanner supplier and then installed into the POS counter on site.

Mounting the weighing system



The scanner must not be connected.

- Unplug scanner.
- Please observe the scanner operating instructions .

CAUTION Incorrect use of weighing system!

Damage of weighing system.

- Do not lift the weighing system at the load arms.

- ① Load arms
- ② Weighing system

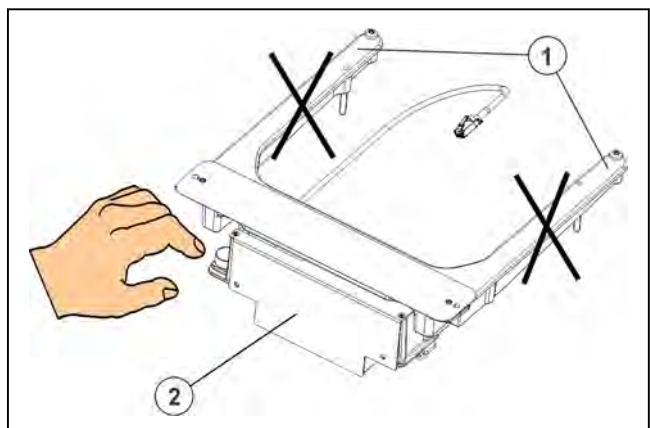


Fig. 35: Load arms MA 94

Bizerba products are subject to constant further development and various country-specific regulations.

In order to guarantee that the weighing system is still conform with these regulations after installation into scanner and complete scanner scale into POS counter, the points described in these installation and assembly instructions must be absolutely adhered to.

Pictorial and graphic examples in the installation and assembly instructions may differ from the supplied version.

4

Installation into scanner

⇒ Carefully insert weighing system ② into scanner ①.

⇒ Screw weighing system to the scanner using 4 fastening screws ③.

Do not clamp the connecting cable ④!

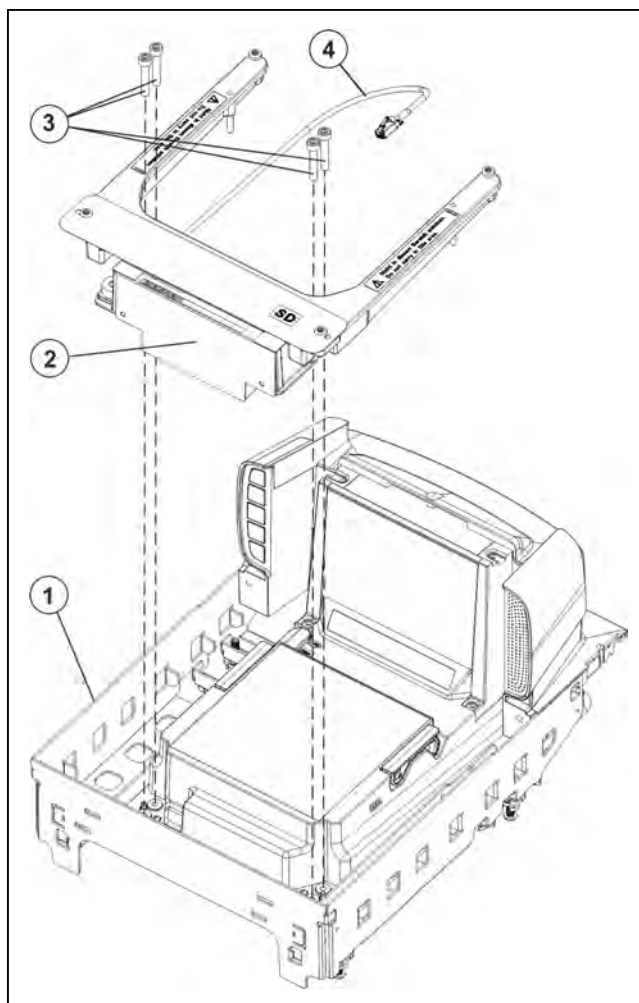


Fig. 36: Installation of weighing system in scanner MA 94

4

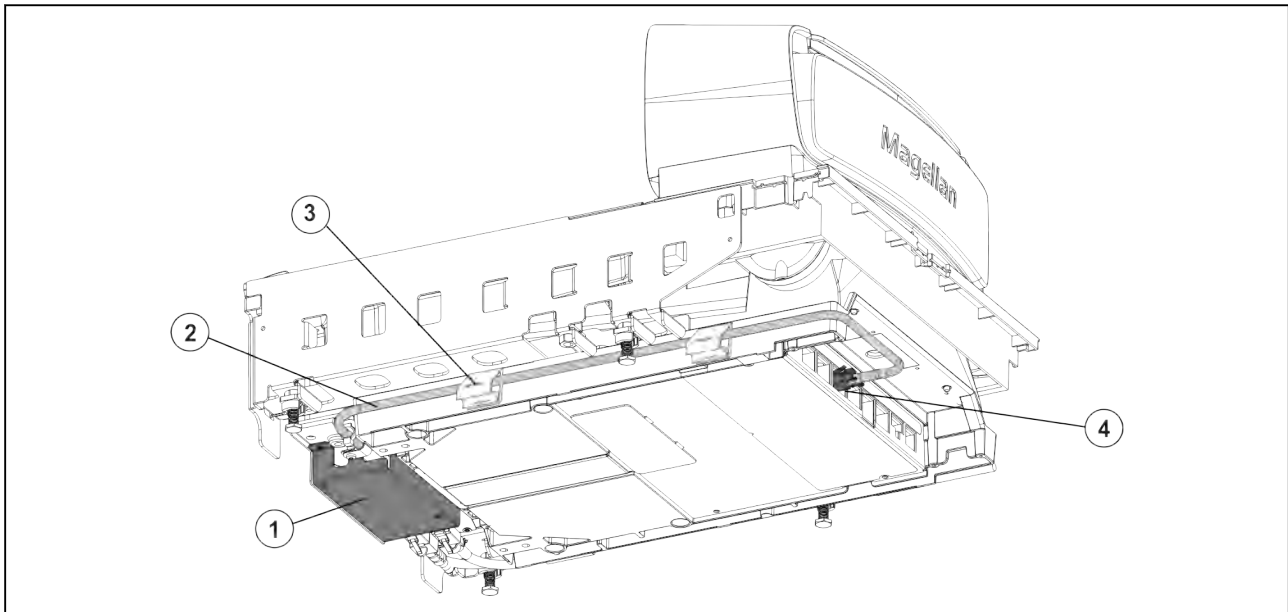


Fig. 37: Connecting cable leading to scanner MA 94

- ➔ Properly route connecting cable (2) of the scale electronics (1) in the holders (3) on back of scanner (4).
- ➔ Route connecting cable on back of scanner and insert it into the "SCALE HOST PORT" (1).

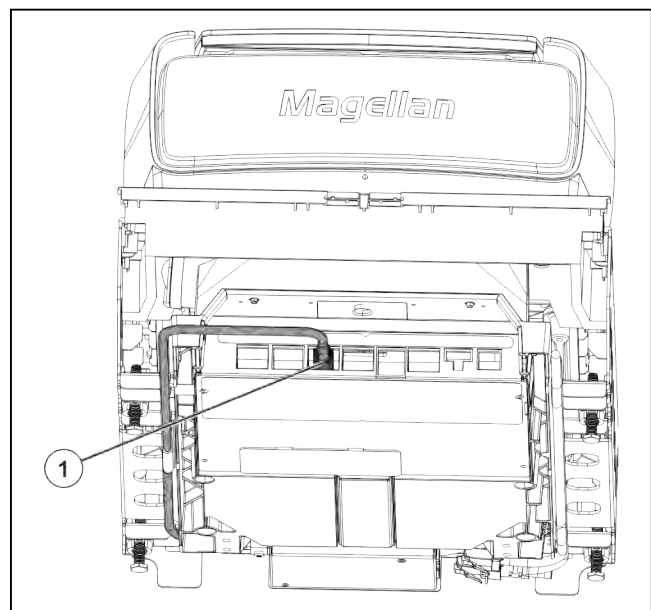


Fig. 38: Scale Host Port

Installation of scanner into POS counter

CAUTION Do not lift scanner by weighing system!

The weighing system will be damaged.

- Do not lift the scanner by the load carriers or by the weighing system!



For installing and deinstalling the scanner adhere to the installation instructions of the scanner manufacturer.

Dimensions of scanner with weighing system

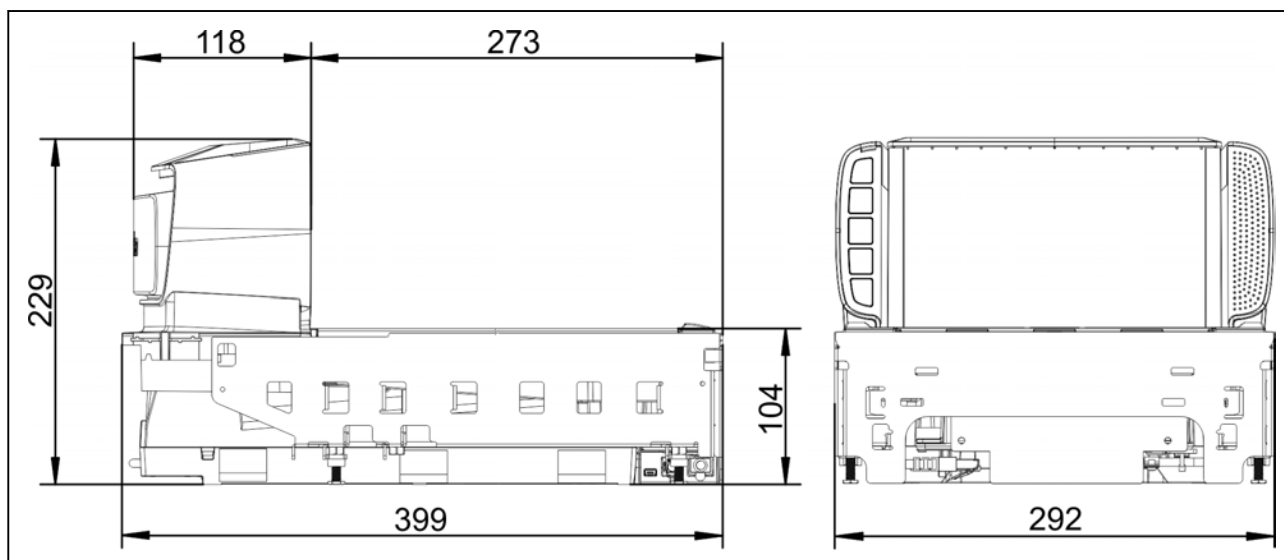


Fig. 39: Dimensions CS 300 MA 94

Installation

- ➔ Remove load platter
- ➔ Lift scanner using the handles ① and place scanner into cut-out of POS counter ②
- ➔ Reattach load platter and check clearance.

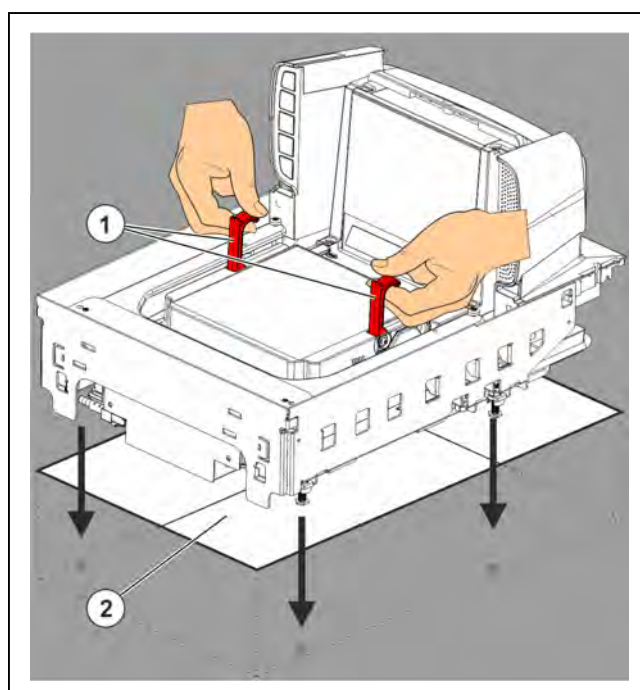


Fig. 40: MA 94: Installation in the POS counter

Distance to POS counter

- ➔ When installing the scanner in the POS counter, make sure that there is a clearance of 2-3 mm between load platter and lateral limitations of the POS counter on all sides.
- ➔ Adjust deviations by suitable measures, e.g. check POS counter, align weighing system etc.

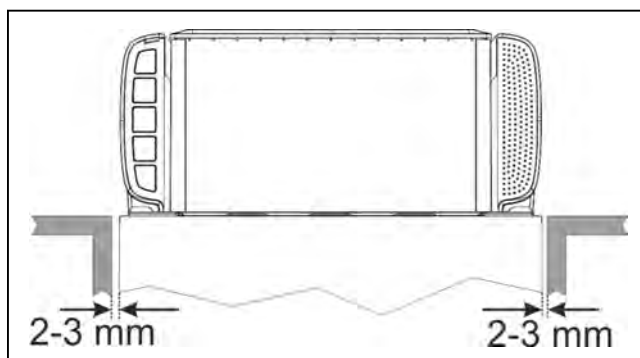


Fig. 41: Size POS counter cut-out MA 94

Leveling

- ➔ Level the scanner (weighing system) by means of a spirit level ① by aligning the POS counter or adjusting the foot screws or by any other possible measure.

If the air bubble in the spirit level ① is in the center, **A** as shown in the picture, the scale is in horizontal position.

- ➔ Reattach the load platter and check if the scale is installed correctly.
- ➔ Check the scale for freedom of movement.
see page 4 - 4

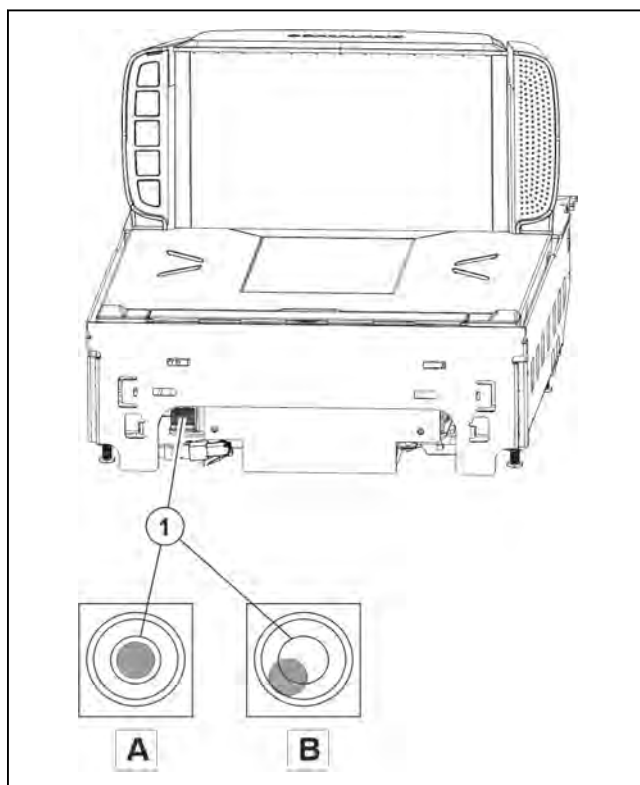


Fig. 42: Spirit level MA 94

Connect

Lay and connect cables.

Connectors

- ① Display connection
- ② POS connection
- ③ USB connection

A cable with USB A connector for cash drawer and 5-pin mini USB B connector for scale is required. A software must be installed on the POS system which creates a virtual COM interface.

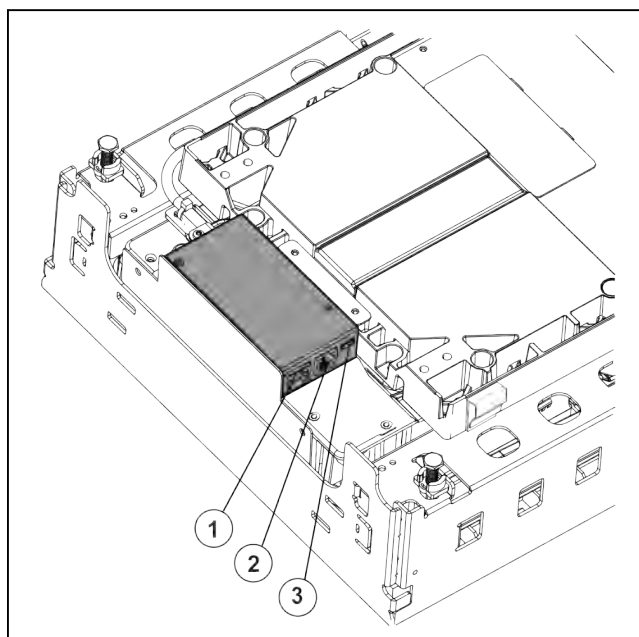


Fig. 43: Connectors MA 94

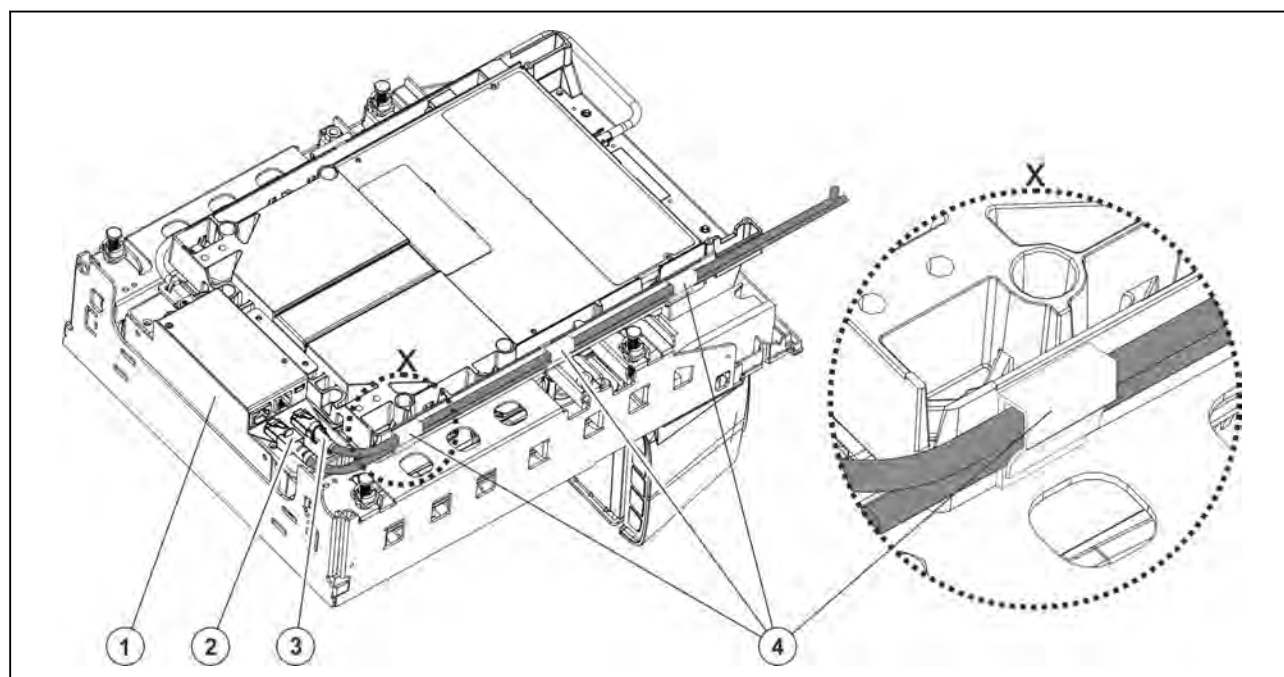


Fig. 44: Connect cable MA 94

- ① Weighing system
- ② Cable to display
- ③ Cable to cash register
- ④ Cable holder

- ⇒ Fasten the self-adhesive cable holder ④ at the scanner housing.
- ⇒ Properly route the cash register cable ③.
- ⇒ Fasten the cash register cable ③ with cable holders ④.
- ⇒ Connect the cash register cable to the weighing system ① (D SUB connector).
- ⇒ Properly route the display cable ②.
- ⇒ Fasten the display cable ② with the cable holders ④.
- ⇒ Connect the display cable ② to the weighing system ① (RJ45 socket).

4.5.6 CS 300 MA 98

Mounting the weighing system CS 300 MA 98



The scanner must not be connected.

- Unplug scanner.
- Please observe the scanner operating instructions .

CAUTION Incorrect use of weighing system!

Damage of weighing system.

- Do not lift the weighing system at the load arms.

- ① Load arms
- ② Weighing system

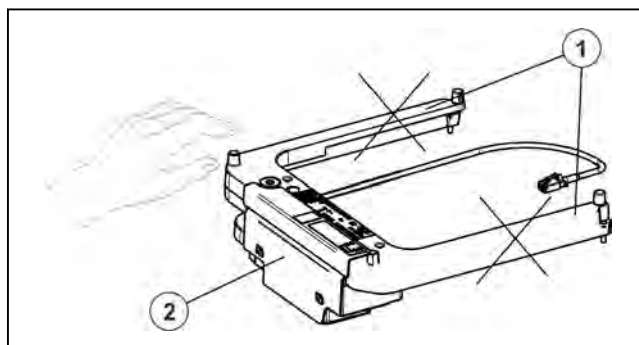


Fig. 45: Load arms

Bizerba products are subject to constant further development and various country-specific regulations.

In order to guarantee that the weighing system is still conform with these regulations after installation into scanner and complete scanner scale into POS counter, the points described in these installation and assembly instructions must be absolutely adhered to.

Pictorial and graphic examples in the installation and assembly instructions may differ from the supplied version.

Installation into scanner

- ➔ Carefully insert weighing system ③ into scanner ①.
 - ➔ Screw weighing system to the scanner using 4 fastening screws ④.
- Do not clamp the connecting cable toward scanner ②.

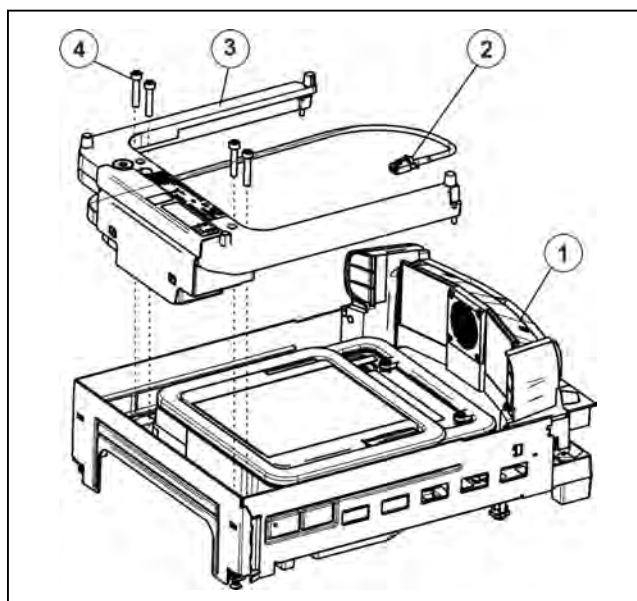


Fig. 46: Installation

- ➔ Properly route connecting cable ① in the holders ② on back of scanner ③.

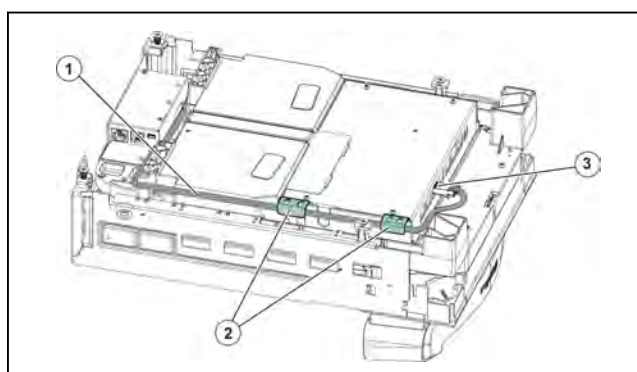


Fig. 47: Scanner cable

- ➔ Plug cable into "SCALE HOST PORT" ① on the scanner.

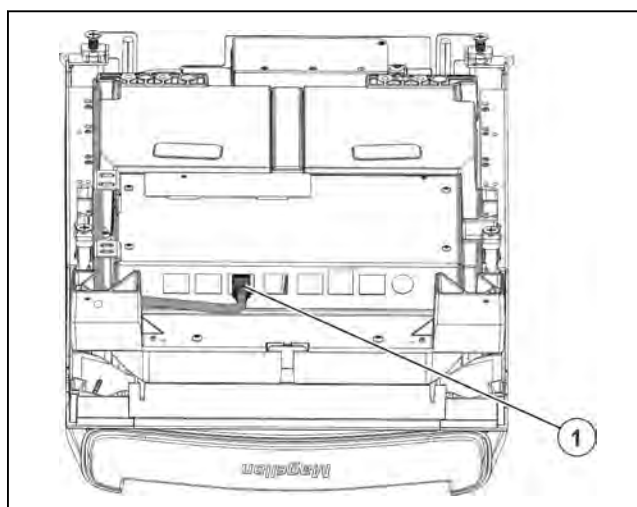


Fig. 48: SCALE HOST PORT

Installation of scanner with weighing system into POS counter

4**CAUTION****Do not lift scanner by weighing system!****The weighing system will be damaged.**

- Do not lift the scanner by the load carriers or by the weighing system!
-



For installing and deinstalling the scanner adhere to the installation instructions of the scanner manufacturer.

Dimensions of scanner with weighing system CS 300 MA 98

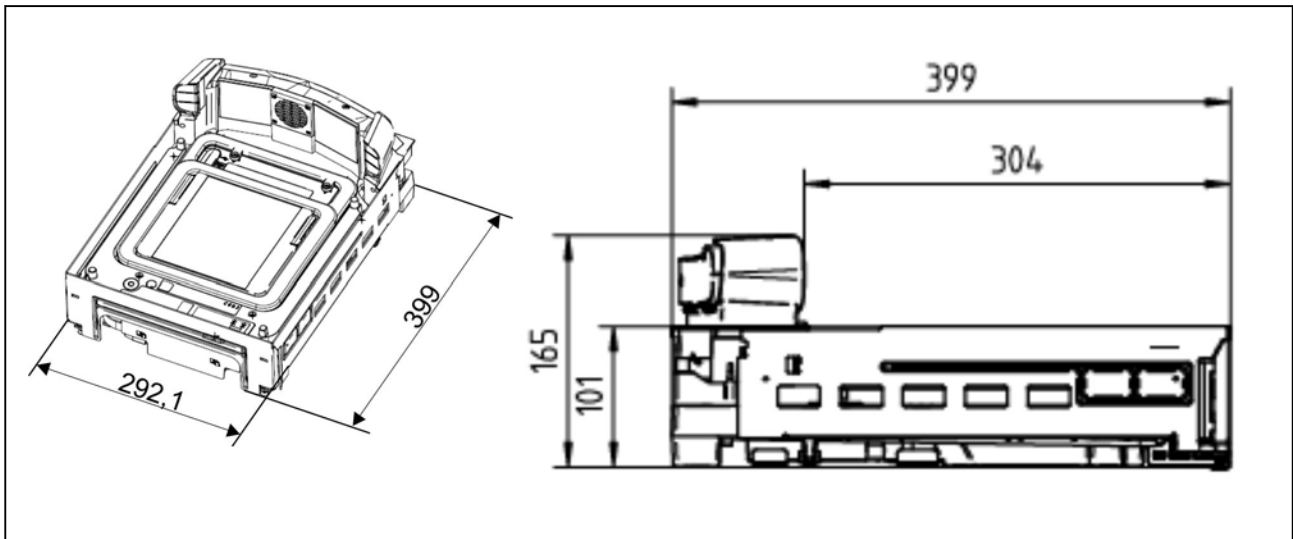


Fig. 49: Dimensions

- ➔ Insert the scanner ② with the weighing system into the cutout ③ of the POS counter ①.
- ➔ Adjust the foot screws of the scanner so that the load platter is on the same height level as the POS counter.

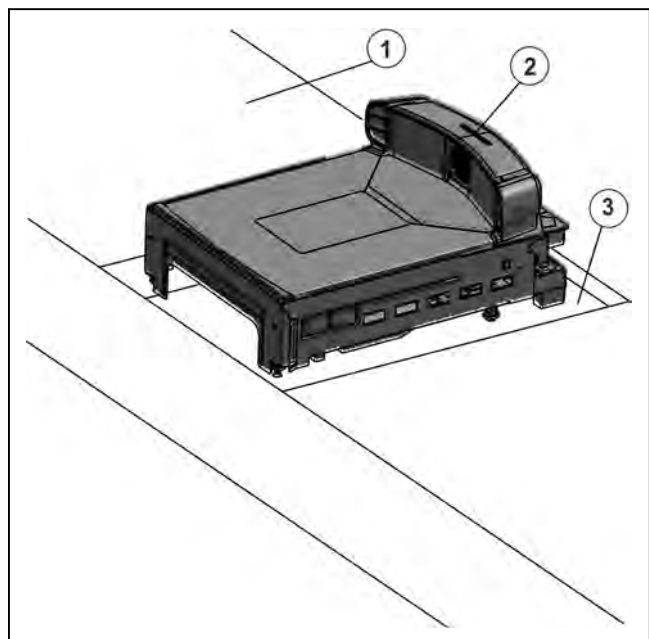


Fig. 50: Installation

Leveling

Re-level the scale after each change of location.

- ➔ Put the scanner with weighing system into a horizontal position using the spirit level.

The spirit level ① is under the load plate.

- ➔ If the air bubble in the spirit level is in the center as shown in picture "A", the scale is in horizontal position.
- ➔ Then check the scale for freedom of movement, see page 4 - 4.

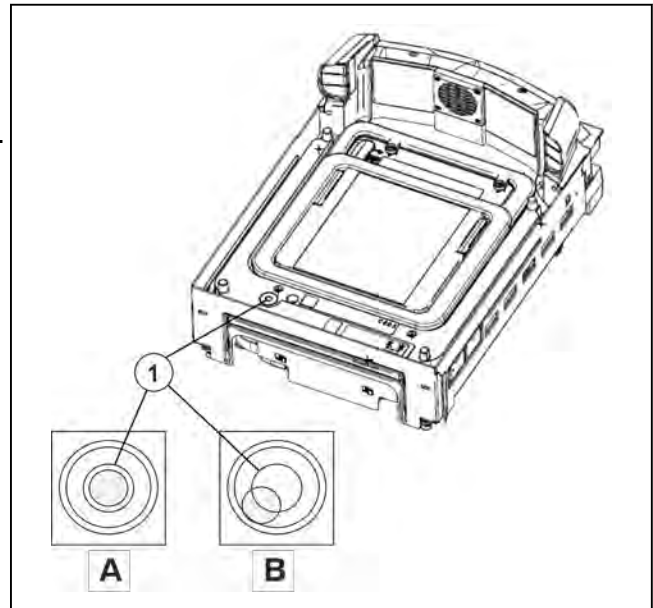


Fig. 51: Spirit level

Connecting CS 300 MA 98

- ➔ Properly route display cable ③ and connect it to the weighing system ①.
- ➔ Properly route POS cable ② and connect it to weighing system ①.

See instructions of cash register and scanner manufacturer.

④ USB connection

A cable with USB A connector for cash drawer and 5-pin mini USB B connector for scale is required. A software must be installed on the POS system which creates a virtual COM interface.

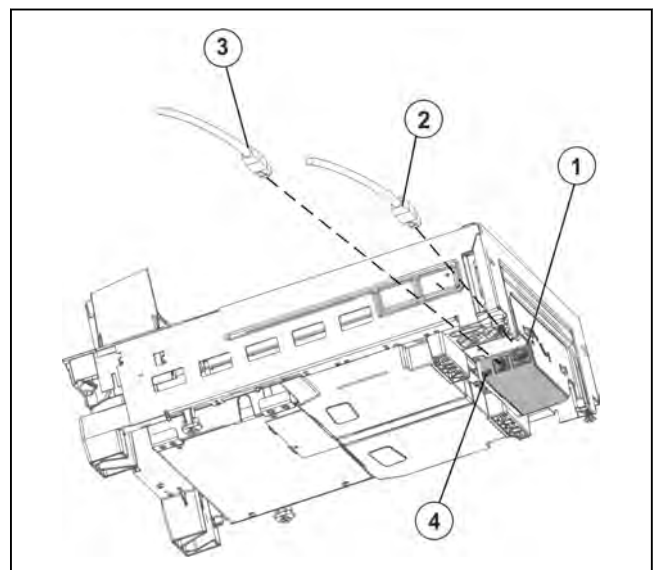


Fig. 52: Cable connection MA 98

4.5.7 CS 300 SD (Software Display)

The software module CS 300 SD (Software Display) is used to display scale data on a screen connected to the POS system.

The program is operated via remote keys.

Any CS 300 scale can be connected.

- ① SD Display weighing results
- ② Screen

Requirement

- The software module must be installed on the POS system.
- A Bizerba scale must be connected to the POS system.
- Remote keys for software display must be connected to the scale. Instead of a display, remote keys are connected to the scale.

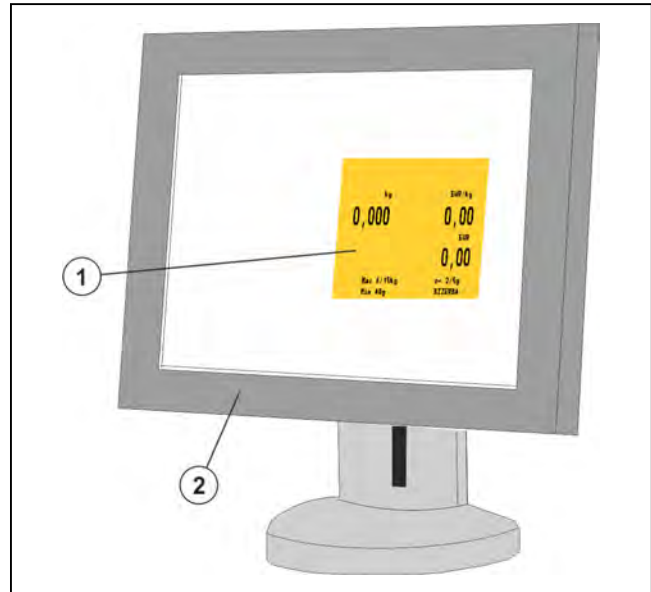


Fig. 53: Example of a POS system screen

Installing the software module

Install the software as described in the software installation instructions.

The software is installed correctly, if the valid software ID is displayed, see page 5 - 4.

Connect remote keys

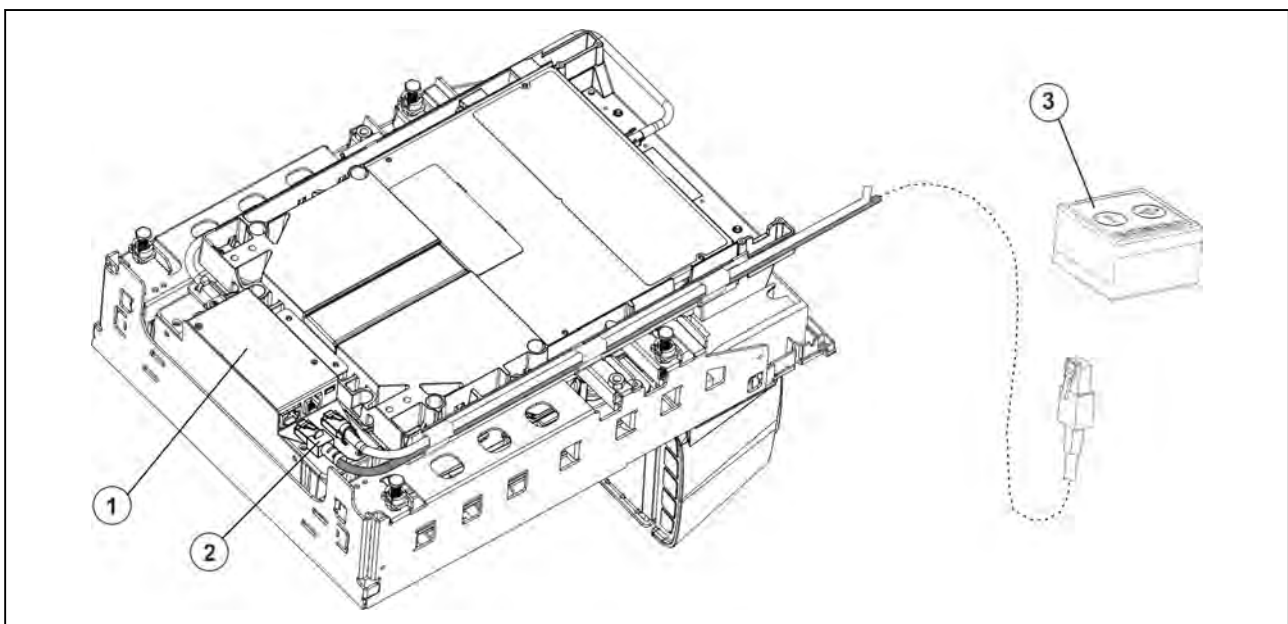


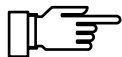
Fig. 54: Example of cable connectors for software display

- ① Weighing system
- ② Connector remote keys for software display
- ③ Remote keys <T> and <0>

➔ Properly install cable ② for the connection of the remote keys ③ and plug it into the weighing system ①.

⇒ Connect the cable ② to the remote keys ③.

License for software display

4

If you have acquired a license for the software display, an SD adhesive stamp comes with the software.

The software must be installed on the POS system.

Attach SD adhesive mark to scale which is connected to this POS system.

Always attach the SD adhesive mark next to identification plate. The identification plate is attached to the weighing system under the load platter.

SD adhesive mark next to identification plate

⇒ Remove load platter.

⇒ Attach SD adhesive mark ② next to identification plate ①.

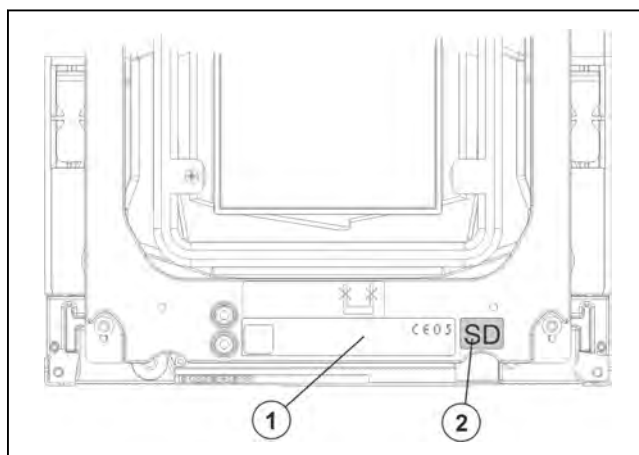


Fig. 55: Example, top view

4.6 Setting overload stop

Maximum load	1/30 of the max. load
6 kg	200 g
15 kg	500 g

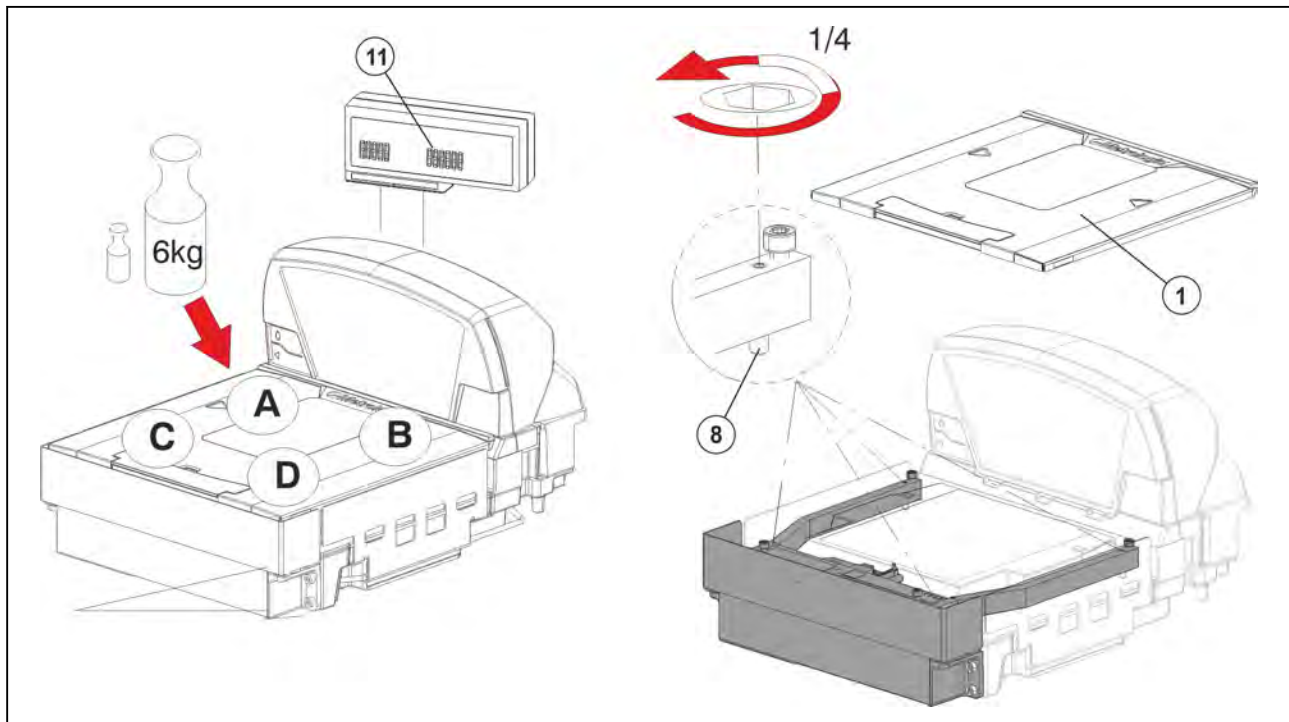




Fig. 56: Overload stop

- ➔ Put the max. load plus 1/30 of the max. load (e.g. **6 kg + 200 g** or **15 kg + 500 g**) in succession onto positions A-D.
 - ➔ Check if the fine resolution display indicates values between **6.190 kg** and **6.210 kg** or **15.490 kg** and **15.510 kg**.
If less than the max. load is displayed, e.g. on Pos. A ①, remove the load platter.
 - ➔ Carefully turn the overload screw ⑧ at position A **a quarter turn counterclockwise** .
 - ➔ Reattach the load platter ① and put the weights in succession on positions A-D.
If still a value lower than the max. load is displayed, remove load platter again.
 - ➔ Carefully turn the overload screw ⑧ **another quarter turn counterclockwise** .
 - ➔ Reattach load platter ① and check fine resolution display using weights. Repeat process until the fine resolution display indicates values between **6.190 kg** and **6.210 kg** or **15.490 kg** and **15.510 kg** for positions A-D.
- Switch off fine resolution display ⑪

⇒ Press key <T> twice.

The display test starts. The scales returns then to the normal weighing mode.

4

4.6.1 Overload stop MA 84

The overload limitation of the weighing system is factory-set by Bizerba. Due to factory-set tolerances in the scanner the overload limitation may no longer meet the requirements.



The overload stop must only be set by trained and qualified personnel.

⑫ Place and align load platter.

⇒ Carefully set the overload stops. See page 4 - 33.

Overload stop screws

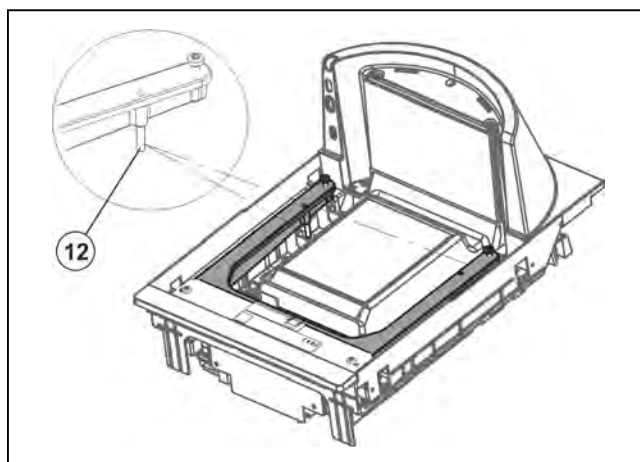


Fig. 57: Overload stop CS 300 MA 84

Place and align load platter.

⇒ There must be an uniform gap between the load platter and the lateral limitations of the scanner housing.

The load platter must not get in contact with the lateral limitations of the scanner housing.

⇒ Correct deviations by taking appropriate measures, e.g. adjust weighing system.

Disassembling weighing system from scanner

The weighing system can be disassembled from the scanner without damaging the verification seal.

⇒ Remove load platter.

⇒ Remove weighing system from scanner.

⇒ Unscrew adapter from weighing system

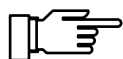
⇒ Unplug all cables.

⇒ Unscrew the four fastening screws of the weighing system.

⇒ Carefully take weighing system out of the scanner.

4.6.2 Overload stop MA 94

The overload limitation of the weighing system is factory-set by Bizerba. Due to factory-set tolerances in the scanner the overload limitation may no longer meet the requirements.



The overload stop must only be set by trained and qualified personnel.

① Overload stop screws

- ➔ Carefully set the overload stops.
See page 4 - 33.

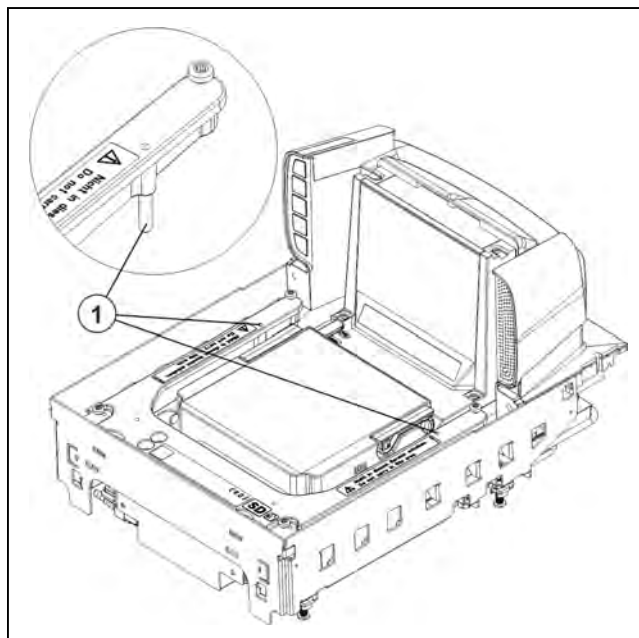


Fig. 58: Overload stops MA 94

Place and align load platter.

- ➔ There must be a uniform gap between the load platter and the lateral limitations of the scanner housing.
The load platter must not get in contact with the lateral limitations of the scanner housing.
- ➔ Correct deviations by taking appropriate measures, e.g. adjust weighing system.

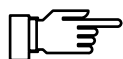
Disassembling weighing system from scanner

The weighing system can be disassembled from the scanner without damaging the verification seal.

- ➔ Remove load platter.
- ➔ Unplug all cables.
- ➔ Unscrew the four fastening screws of the weighing system.
- ➔ Carefully take weighing system out of the scanner.

4.6.3 Overload stop MA 98

The overload limitation of the weighing system is factory-set by Bizerba. Due to factory-set tolerances in the scanner the overload limitation may no longer meet the requirements.



The overload stop must only be set by trained and qualified personnel.

4**①** Overload stop screws

- ➔ Carefully set the overload stops.
See page 4 - 33.



Fig. 59: Overload stops CS 300 MA 98

Place and align load platter.

- ➔ There must be a uniform gap between the load platter and the lateral limitations of the scanner housing.
The load platter must not get in contact with the lateral limitations of the scanner housing.
- ➔ Correct deviations by taking appropriate measures, e.g. adjust weighing system.

Disassembling weighing system from scanner

The weighing system can be disassembled from the scanner without damaging the verification seal.

- ➔ Remove load platter.
- ➔ Unplug all cables.
- ➔ Unscrew the four fastening screws of the weighing system.
- ➔ Carefully take weighing system out of the scanner.

5 Device and operating controls

5.1 Display

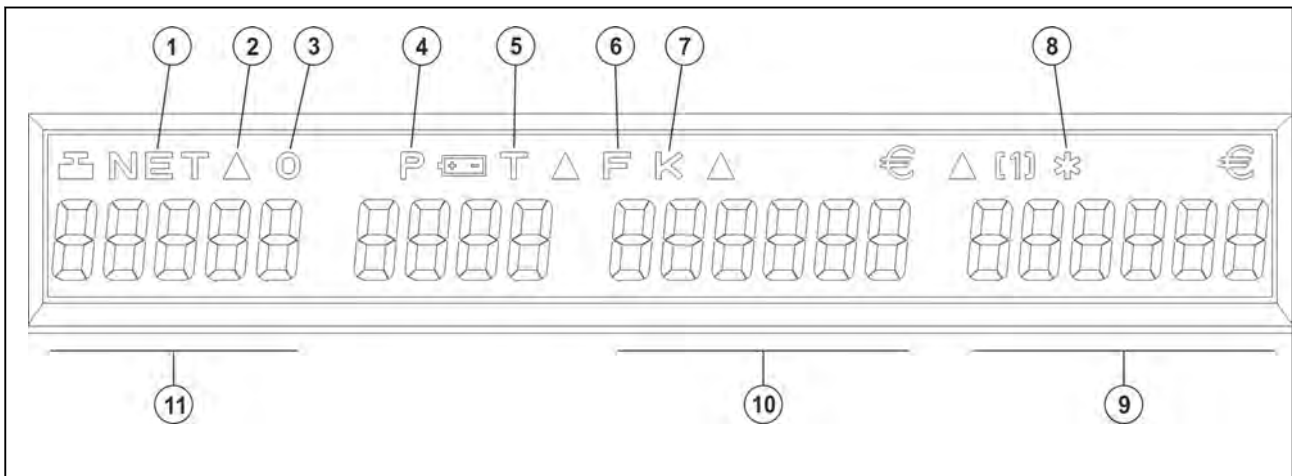


Fig. 60: Display

The display shows symbols, weight and price in the respective display areas.

Type and country dependent symbols indicate different operating states:

- ① NET Net display after taring
- ② △ Illuminated symbols related to different functions
- ③ ○ Exact zero
- ④ P Prepack
Programming mode (for WS display)
- ⑤ T Tared weight after taring
- ⑥ F Fixed unit price
- ⑦ K Constant unit price
- ⑧ * Scale display permanently activated (only VGA screen)
- ⑨ Selling price
- ⑩ Unit price
- ⑪ Weight

5.1.1 Display types

Different types of displays are offered:

Display type	Display shows:
WS display	Weight only
P display	Weight, tare, basic price, selling price.
VGAS Screen	Weight, tare, unit price, selling price, PLU text.

WS display

WS=Weight small

Only the weight is displayed.



This display is not permitted for use in all countries.

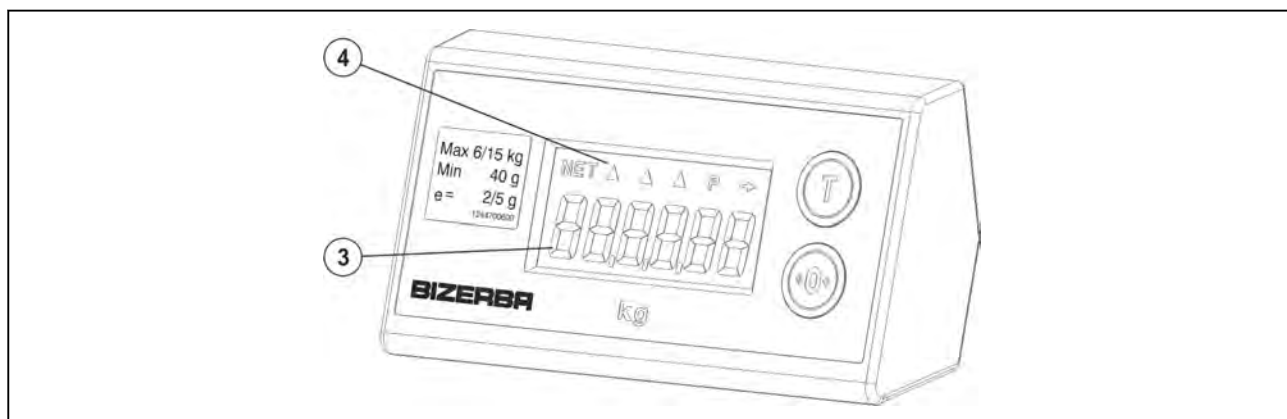


Fig. 61: WS display

③ Weight

④ Symbols, see page 5 - 1

P display

Display with weight, tare, unit price, selling price.

- ③ Weight
- ④ Tare
- ⑤ Unit price
- ⑥ Selling price
- ⑦ Symbols, see page 5 - 1

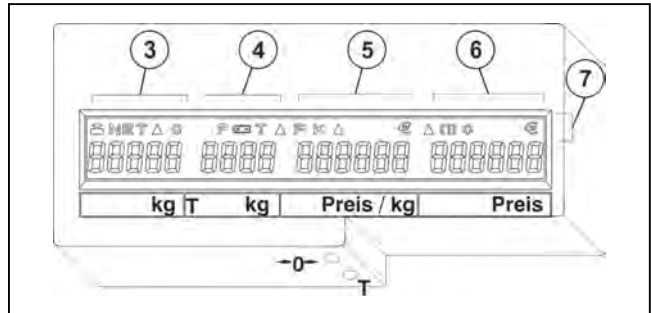


Fig. 62: P display

5.1.2 Design versions of WS, and P displays

Depending on the version, the display may be mounted using an angle bracket ① or a stand ②.

The display can be single or double sided.

The display is connected to the scale using a cable ③.

The power is supplied via the scale's electronic circuit board.

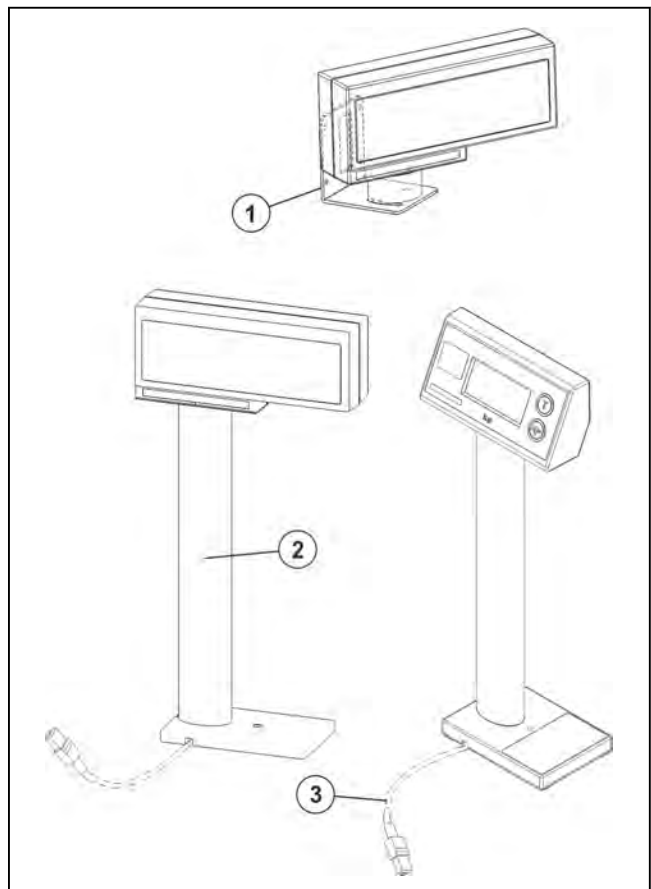


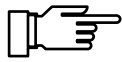
Fig. 63: Design

5.1.3 VGA screen

POS display indicating weight, tare, unit price, selling price, article text.

Automatic switch from POS display to scale display

When entering an article to be weighed at the POS the program switches temporarily from POS display to the scale display.



It depends on the setting made in Pr204 at which point of time the scale display switches to the POS display:

- after moving scale
or
- after approx. 2 sec.

5

Manual switch from POS display to scale display

- ① Key <0>
- ② Key <T>
- ③ Tare
- ④ Weight
- ⑤ PLU text
- ⑥ UNIT PRICE
- ⑦ Selling price
- ⑧ Symbol for: Scale display permanently switched on

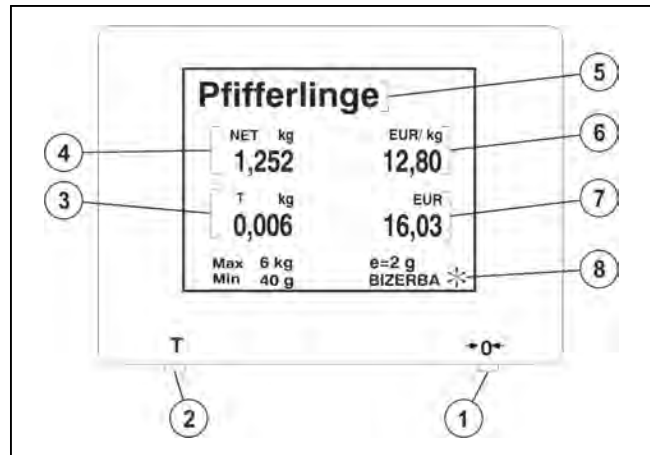


Fig. 64: Example VGA screen

- Press key <T> ② to switch POS display to scale display for approx. 3 sec.
- Press <0> key ① to switch POS display permanently to scale display. Permanent scale display is indicated by * ⑧. After pressing again the <0> key, * is deleted and the scale display switches back to the POS display.

5.2 CS 300 SD (Software Display)

The software module generates the scale display on a screen, e.g. of a POS system.

The weighing results are transmitted from the connected scale to the POS system and displayed on the built-in POS screen.

- ① Unit price
- ② Selling price
- ③ * Symbol for: Scale display permanently switched on
- ④ Weight

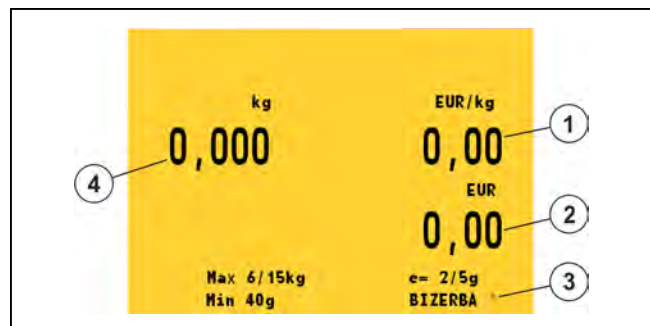


Fig. 65: Software display



This software must only be used in transactions subject to verification, if the valid software ID is displayed.

This should be checked by the operator on a regular basis.

5.2.1 Checking the software

➔ Press the <0> key three times and the <T> once while display test is running (checked pattern on screen).

The displayed values must be identical with those in figure 'Identification'.

- ① Test certificate number: D09-06.43
- ② Version number of the loaded software
- ③ Software ID: CS300-SDV1.00

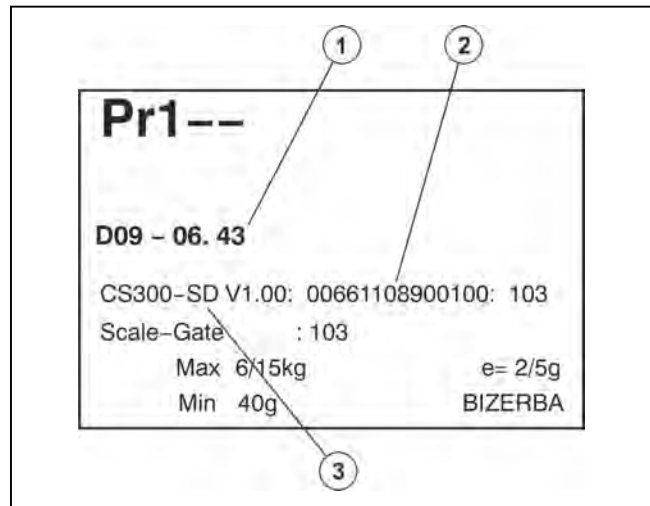


Fig. 66: Identification

Log journal

It is possible to change the software ②. The change of software is recorded in a download logbook. To view the logbook, go to menu Pr 705, see page 7 - 11.

5.3 Keyboard

Overview of function keys

Key	Function (depending on operat. mode)
Key symbol Bizerba display	Switching on/off display Zero setting Programming function
Key symbol Bizerba display	Tare function with menu setting Pr 209 / 00 only
Key symbol scanner MA 94	Programming function

Keyboard designs

5

- ① Key <T>
- ② Key <0>

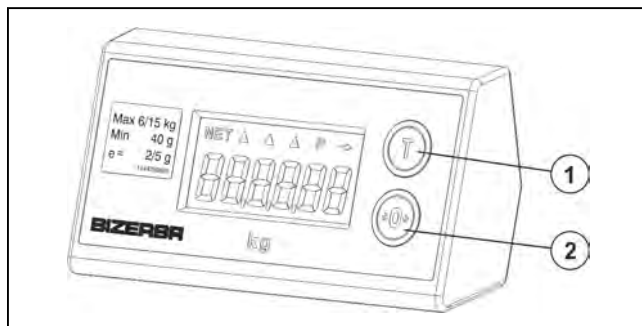


Fig. 67: Keys for WS display

- ① Key <T>
- ② Key <0>

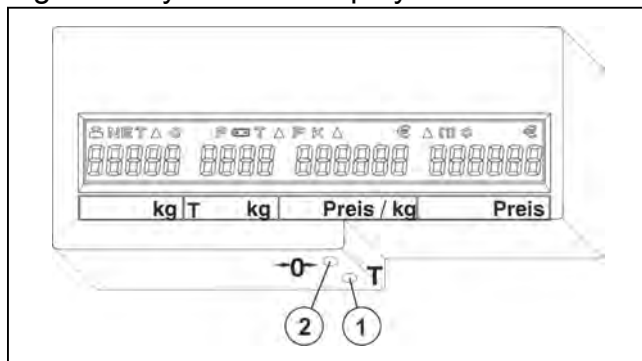


Fig. 68: Keys for P display

- ① Key <T>
- ② Key <0>

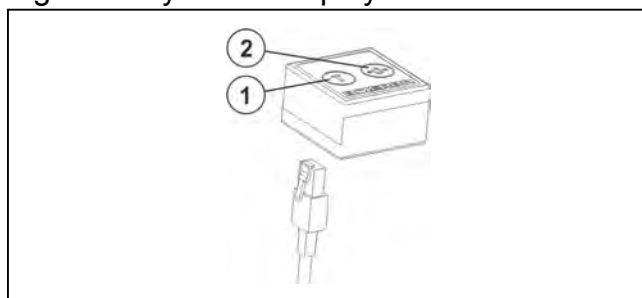


Fig. 69: Remote keys for software display

- ① Key <0>
- ② Key <T>

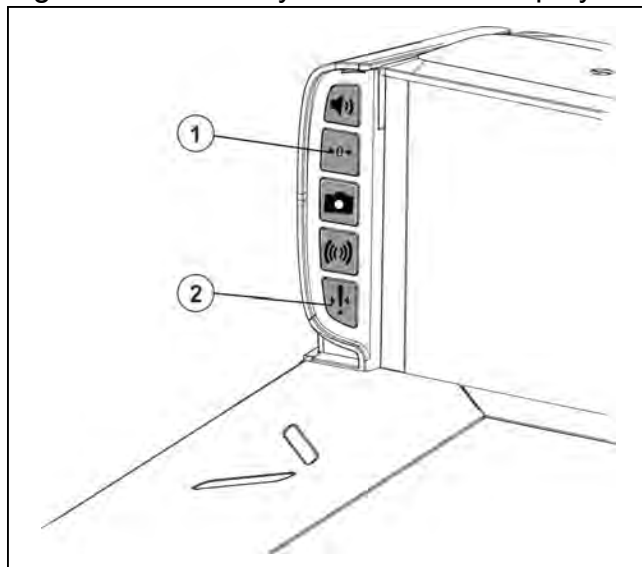
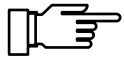


Fig. 70: Keys scanner MA 94

5.4 CS 300 with POSscale (RIK4Checkout)

The POSscale (OEM scale) software runs on the display (window) and weighing software on the host, e.g. a POS system.

The CS 300 can be connected as external load receptor.



- Parallel operation of P, WS, and CS300SD displays is not possible.
- Programming as per chapter 7 is not possible.

5

POSScale display example

Quantity and position of the display fields may deviate from the example.

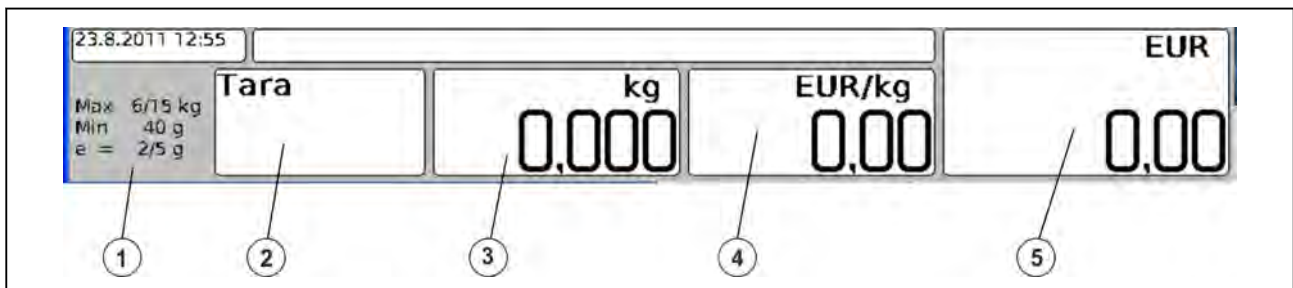


Fig. 71: Display example

- ① Verification field
- ② Tare field
- ③ Weight field
- ④ Unit price field
- ⑤ Selling price field

Operating and setting options

Logbook monitoring

1. Touch verification field ① for approx. 3-5 seconds.

Activation of fine resolution display via Config/WES

The Config dialog is called up via the Config button during logbook control.

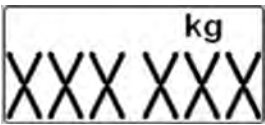
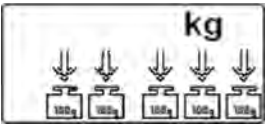
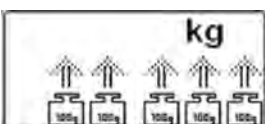
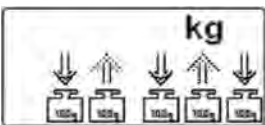
Taring of scale

1. Touch tare field ② for approx. 3-5 seconds.
Function disabled in self-service operation.
2. If remote keys are connected or integrated in the scanner, press the key <T>.
3. Via the third-party software (API) to POSscale.
Declaration on the functions of the software can be found in the documentation of the respective manufacturer.

Zero setting of scale

1. Touch weight field (3) for approx. 3-5 seconds.
Function disabled in self-service operation.
2. If remote keys are connected or integrated in the scanner, press the key <T>.
3. Via the third-party software (API) to POSscale.
Declaration on the functions of the software can be found in the documentation of the respective manufacturer.

Troubleshooting

Fault	Cause	Elimination
	A window of the application software hides a part of the weighing display.	Window must be placed outside weighing display.
	Scale in underload range below zero point.	Fit load platter correctly. Remove objects positioned against the load platter. Remove objects from beneath load platter. Set scale to zero.
	Scale in overload range above maximum load.	Remove objects from load platter. Level scale. Switch device on/off.
	Scale in motion during start-up.	Clean load platter, position correctly and remove objects Level scale. Switch device on/off. Change the location of the scale.

5.5 MA 98 and MA 94 with ScaleSentry

ScaleSentry prevents incorrect positioning of fruit and vegetables on the load platter and thus weighing losses.

Invisible infrared beams ① are used to control the long sides of the load platter.

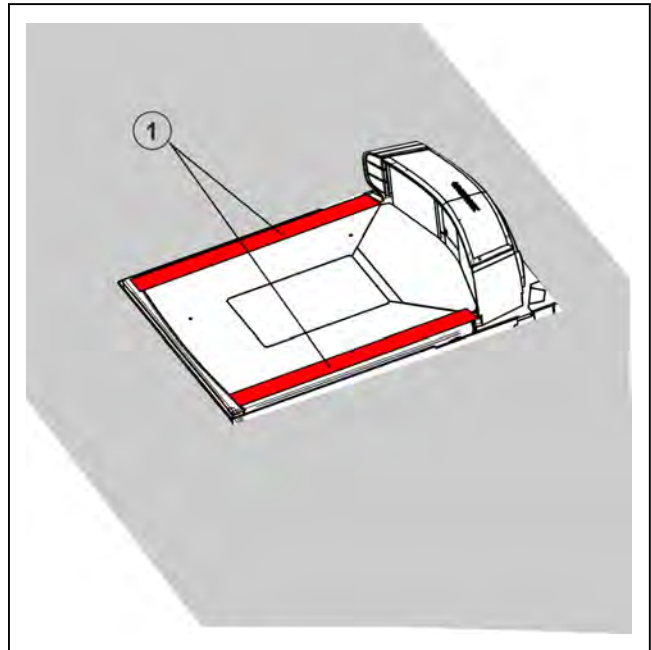


Fig. 72: Example: Infrared beam

If fruit and vegetable are incorrectly positioned, the infrared beam ① is interrupted and no weight value is transmitted to the cash register. A signal that indicates the weighing error is triggered. Only after the operator corrected the position, the weight value will be transmitted to the cash register. See operating instructions provided by scanner manufacturer.

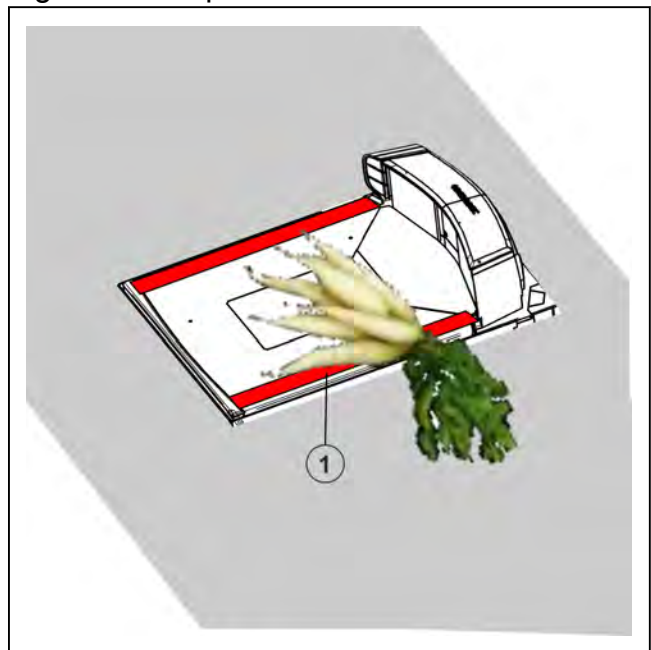


Fig. 73: Example: Avoid weighing losses

5

6 Operation

6.1 Switching device on

The scales should not be loaded.

⇒ Press key <0> once.

The display test occurs automatically. It causes the figure 8 and the symbols to appear at all digit places for approx. 5 seconds.

With a VGA display a checkered pattern is displayed for approx. 5 seconds.

After that the weight display is automatically set to "0.000" kg provided that the scale is unloaded.

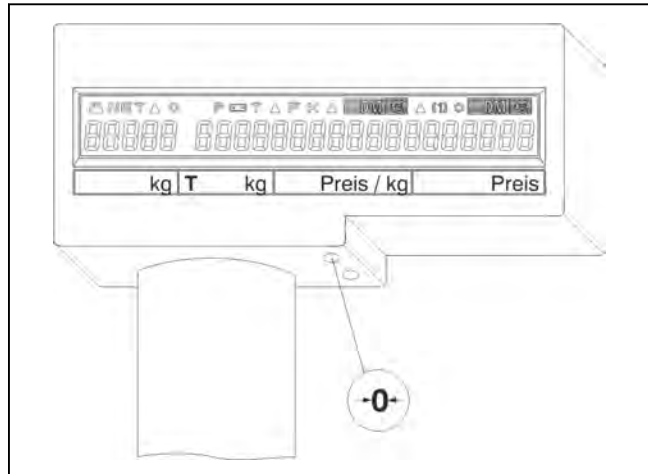


Fig. 74: Display test

6.2 Switching off device

⇒ Press key <0> twice.

The display switches off automatically after a short time.

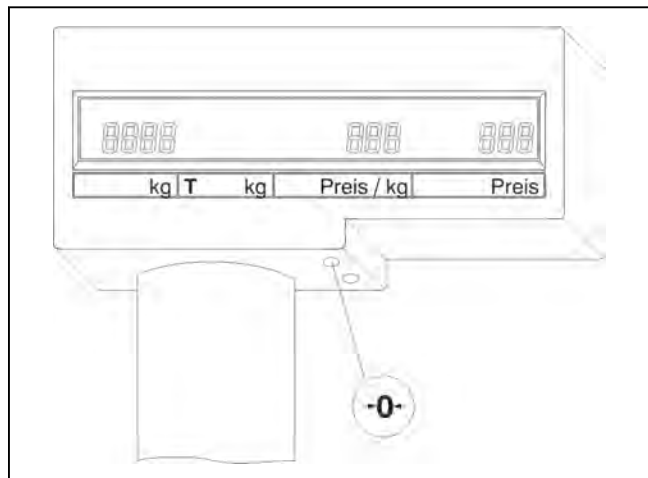


Fig. 75: Weight display

6.3 Resetting the device

After switching on the scale the weight display is automatically set to "0.000" kg provided that the scale is unloaded.

The scale has an automatic reset device, so that minor zero point changes are compensated automatically.

If the weight value display is not zero with the scale being unloaded, it can be reset to zero.

⇒ Press key <0> once.

The weight display is set to zero.

6.4 Tare functions

Tare balancing for unknown tare values

6



An unknown tare (empties) is a non product-related tare, which must be weighed and tared.

- For scales with weighing ranges of up to 10 kg, the entire weighing range can be tared.
- For scales with a weighing range above 10 kg, taring of up to 9.995 kg max (max. 4 digits) is possible (depending on country).
- The tared value is subtracted from the total weighing range.
- The tare command is only directly executed when the weight display is stationary.

6.4.1 Taring with unknown tare

Weigh article in an empty container (tare) whose weight is unknown.

⇒ Place the empty container on the scale.

The weight display ① indicates the weight of the empty container, e.g.: "0.535" kg.

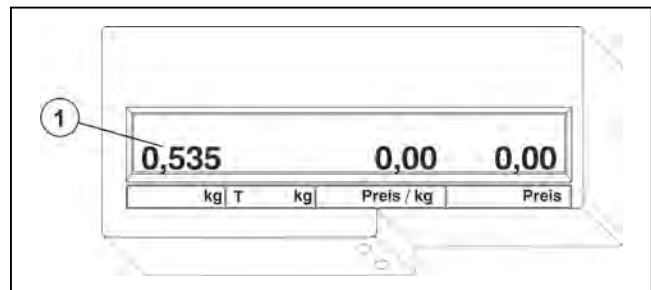


Fig. 76: Weight display

⇒ Press the <T> key.

The tare display ② indicates the weight of the empty container "0.535" kg.
The weight display ① indicates zero.

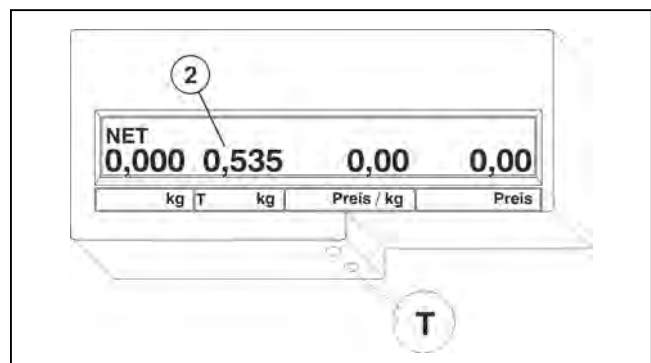


Fig. 77: Tare display

- ➔ Fill container deposit with the article.
 The weight display ① indicates the net weight of the article "2.000" kg.
 The tare display ② indicates the weight of the empty container "0.535" kg.

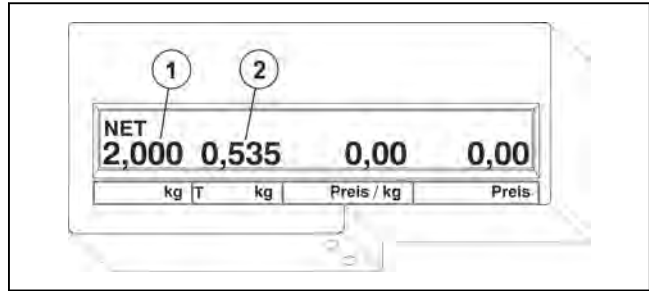


Fig. 78: Net weight

6.4.2 Batch tare (country-dependant)

Determine unknown tare, weigh article, add article weight to tare weight and weigh the next product net.

- ➔ Place the empty container on the scale.
 The weight display ① indicates the weight of the empty container, e.g.: "0.535" kg.

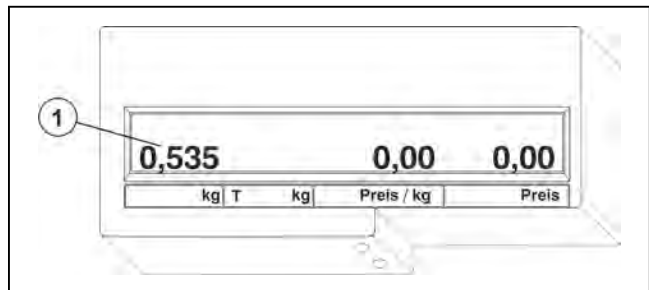


Fig. 79: Weight of empties

- ➔ Press the <T> key.
 The tare display ② indicates the weight of the empty container "0.535" kg.
 The weight display ① indicates zero.

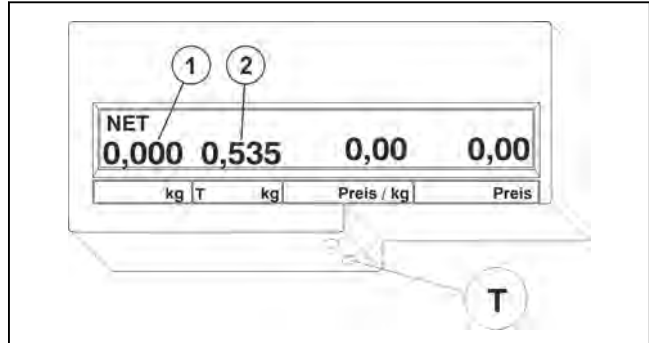


Fig. 80: Tare display

- ➔ Fill container deposit with the article.
 The weight display ① indicates the net weight of the article "0.800" kg.
 The tare display ② indicates the weight of the empty container "0.535" kg.

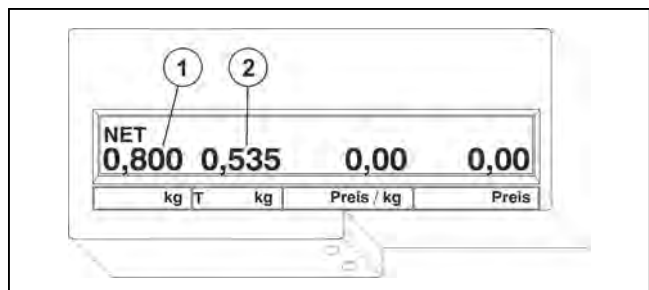


Fig. 81: Net weight display

⇒ Press the <T> key.

The article weight and the weight of the empty container are added to the new tare weight ②.

The weight display ① indicates zero.

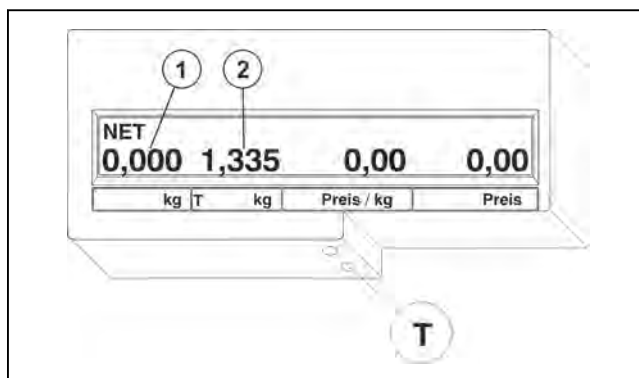


Fig. 82: Batch tare

For scales with weighing ranges up to 10 kg, you can tare the entire weighing range.

6.4.3 Deleting tare



Tare deletion depends on the menu setting made in Pr 209, see page 7 - 5

1 Manual

⇒ Unload scale.

⇒ Press the <T> key.

The display indicates zero.

2. Automatic

⇒ Record the article.

⇒ Unload scale.

The display indicates zero. The unit price is also deleted.

7 Programming

7.1 Key functions in programming mode

- ① Menu
- ② Program number
- ③ Menu setting
- ⓪ Key <0>
- Select (menu, program number, menu setting)
- Ⓣ Key <T>
- Confirm (menu, program number, menu setting)
- 2x <T> = Restart of scale when "Pr1--" appears in the display.

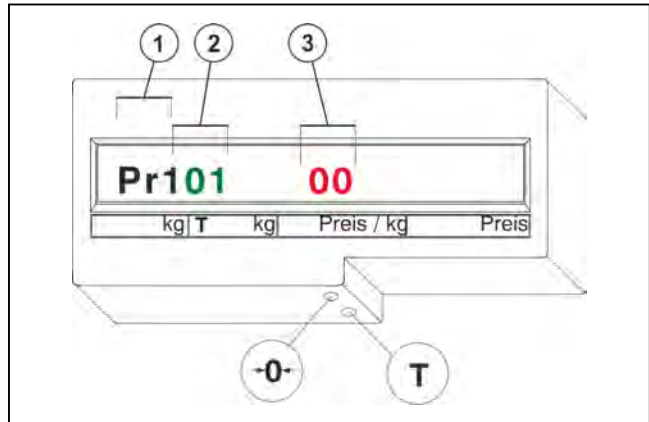


Fig. 83: Programming mode

7.2 Calling up a menu

The menu call-up is carried out during the display test.

Menu call-up

- ➔ Press key <0> three times and key <T> once while display test is running.
- The display indicates "Pr1--" ①.
- The scale is in programming mode.

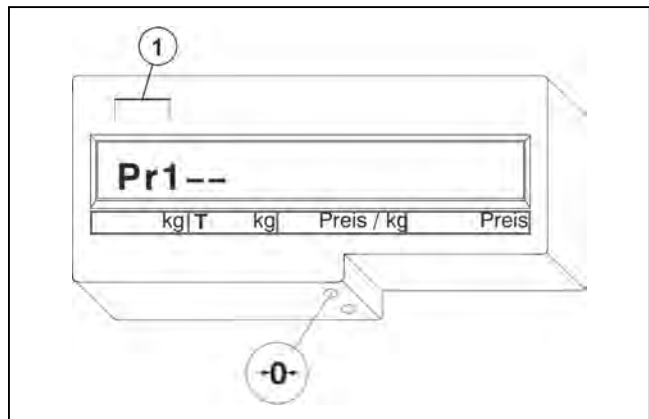


Fig. 84: Calling up a menu

Exit menu

- ⇒ Press <T> twice while "Pr1--" appears on the display.
 The scale runs a display test.
 The scales returns to the weighing mode.

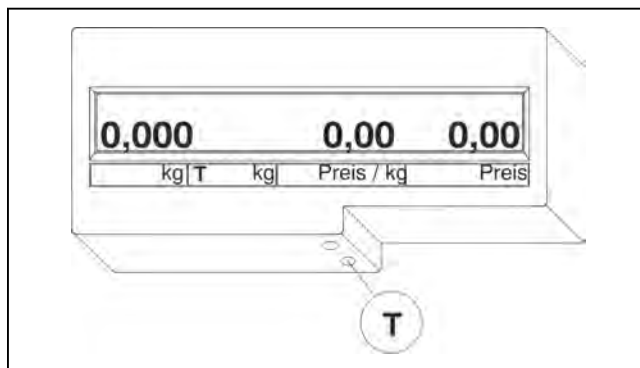
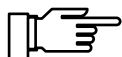


Fig. 85: Exit menu

7

7.3 Menu Pr2--

Checkout dialog	Pr 201
Switching between POS / scale display on 1/4 VGA display	Pr 204
Active zeropoint monitoring	Pr 206
Tare function	Pr 209

7.3.1 Pr 201 Checkout dialog

This setting must be made in order to ensure that the CS functions properly in conjunction with the POS.

As a standard menu setting "06" is already set.

Setting options ③:

- 00 = no checkout dialog
- 01 = Checkout dialog 01
- 02 = Checkout dialog 02
- 03 = Checkout dialog 03
- 04 = Checkout dialog 04
- 05 = Checkout dialog 05
- 06 = Checkout dialog 06 (default setting)**
- 07 = Checkout dialog 07
- 08 = Checkout dialog 08
- 09 = Checkout dialog 09
- 10 = Checkout dialog 10
- 11 = Checkout dialog 11
- 12 = Checkout dialog 12

Example: Menu setting "01"

- ⇒ Press key <0> three times.
- ⇒ Press <T> key.
- ⇒ Press <0> key.
- ⇒ Press <T> key.
- ⇒ Press <T> key.

The first digit starts flashing.

- ⇒ Press <T> key.

The second digit starts flashing.

- ⇒ Press key <0> five times.
- ⇒ Press <T> key.

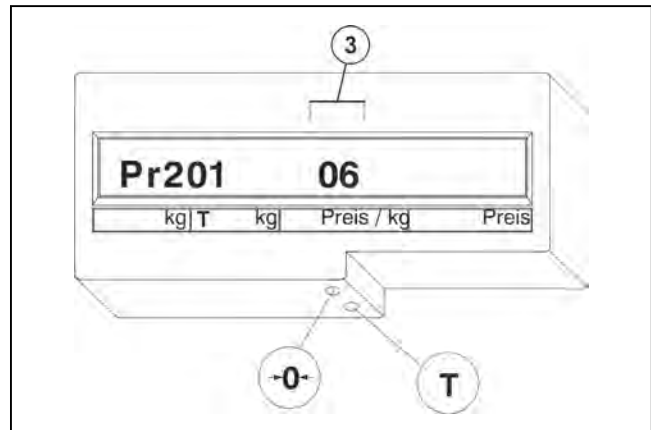
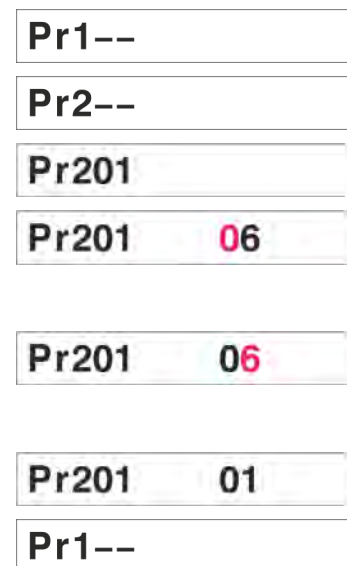


Fig. 86: Pr 201 Default setting



7.3.2 Pr 204 Switching between scale / POS display on 1/4 VGA display and CS 300 SD

When entering an article to be weighed at the POS, the POS display switches to the scale display.

The point of time at which the scale display switches to the POS display depends on the setting made in Pr204:

Setting options ①:

0 = Only after motion on scale, the scale display switches to the POS display.

1 = After approx. 2 seconds the scale display switches to the POS display.

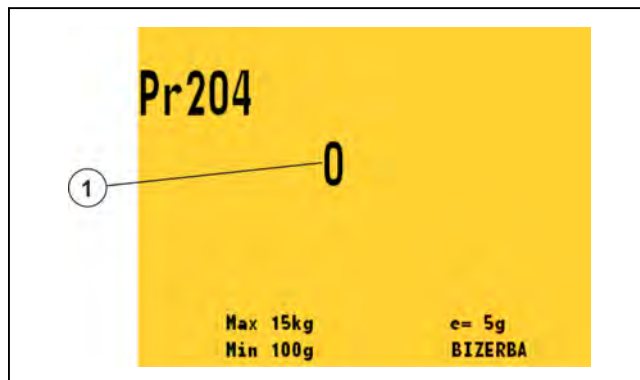


Fig. 87: Pr 204 Standard

7

Example: Menu setting "1":

⇒ Press key <0> three times.

⇒ Press <T> key.

⇒ Press <0> key.

⇒ Press <T> key.

⇒ Press key <0> three times.

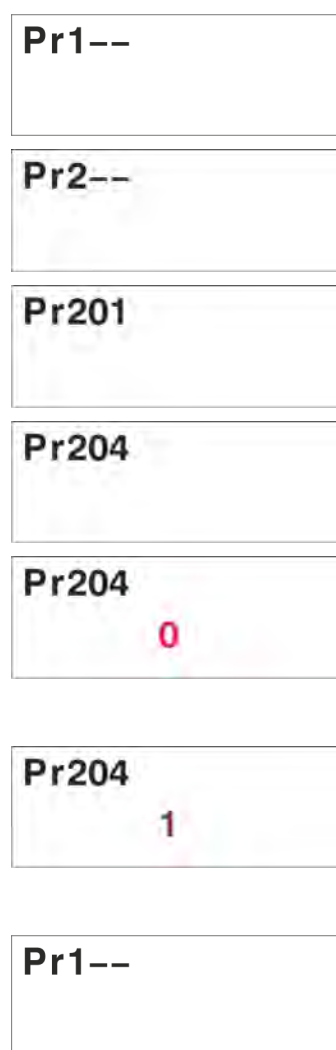
⇒ Press <T> key.

The digit starts flashing.

⇒ Press <0> key.

The digit starts flashing.

⇒ Press <T> key.

**7.3.3 Pr 206 Active zeropoint monitoring**

If the scale is not set to zero, a message occurs on the display approx. every 3 minutes to zeroset the scale.

Setting possibilities:

0 = Passive zeropoint monitoring (default)

1 = Active zeropoint monitoring

Example: Menu setting "1"

➔ Press key <0> three times.

➔ Press <T> key.

➔ Press <0> key.

➔ Press <T> key.

➔ Press key <0> five times.

➔ Press <T> key.

The digit starts flashing.

➔ Press <0> key.

➔ Press <T> key.

Pr1--

Pr2--

Pr201

Pr206

Pr206 0

Pr206 1

Pr1--

7.3.4 Pr 209 tare function

Taring by pressing key <T>.

Setting options: ③

00 = Tare function activated

01 = no tare function (standard)

10 = tare function activated, constant tare (tare will be deleted manually)

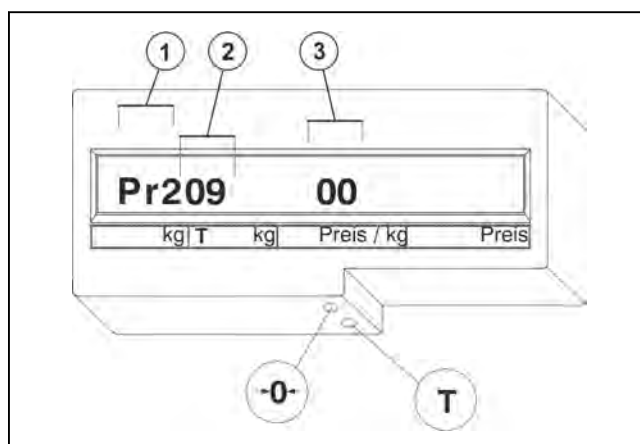


Fig. 88: Pr 209 Standard

Example: Menu setting "01"

Selection of programming mode during display test

➔ Press key <0> three times.

➔ Press <T> key.

Select menu ①

➔ Press <0> key.

➔ Press <T> key.

Pr1--

Pr2--

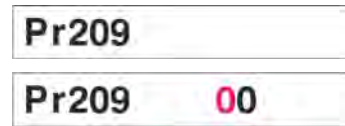
Pr201

Select program number ②

⇒ Press <0> eight times.

⇒ Press <T> key.

The first digit starts flashing.



Menu setting ③

⇒ Press <T> key.

The second digit starts flashing.

⇒ Press key <0>.

⇒ Press <T> key.



7

7.4 Menu Pr 4--

0-LED on scanner

Pr 401

Set display type

Pr 404

7.4.1 Pr 401 0-LED on the scanner

If the scanner has an 0-LED, this can be controlled.

The controlled 0-LED of the scanner starts flashing, if the scale is exactly on zero.

Setting options ③:

0 = LED off with zero

1 = no control

2 = LED on with zero

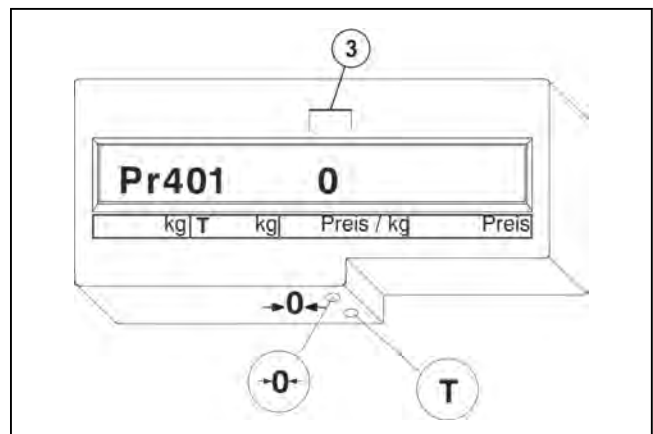


Fig. 89: Pr 401 Standard

Example: Menu setting "1"

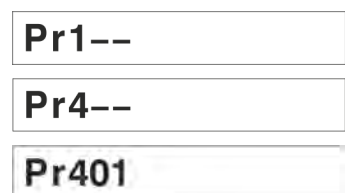
Selection of programming mode during display test

⇒ Press key <0> three times.

⇒ Press <T> key.

⇒ Press key <0> three times.

⇒ Press <T> key.



⇒ Press <T> key.



The digit starts flashing.

⇒ Press key <0>.



⇒ Press <T> key.



7.4.2 Pr 404 Setting display type

Setting options:

0 = Setting according to program number

1 = P/W display (standard Bizerba display with green display)

3 = IBM display

4 = AV display (Arc Vision)

5 = WS display

6 = P/W display (orange Bizerba standard display)

Selection of programming mode during display test

⇒ Press key <0> three times.

⇒ Press <T> key.



⇒ Press key <0> three times.



⇒ Press <T> key.



⇒ Press key <0> three times.



⇒ Press <T> key.



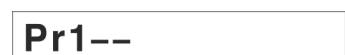
The digit starts flashing.

⇒ Press key <0>.



By pressing key <0> the respective number is increased by 1

⇒ Press <T> key.



The setting is saved.

7.5 Menu Pr 7--

Switching the fine resolution display on

Pr 701

Display load cell type

Pr 703

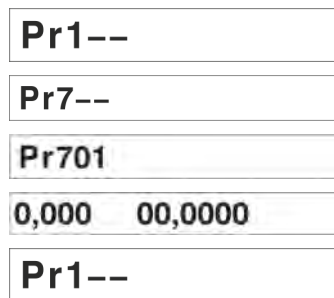
Logbook monitoring

Pr 705

7.5.1 Pr 701 Switching the fine resolution display on

Use the fine resolution display to make settings on the scale (e.g. overload limitation).

- ➔ Press key <0> three times.
- ➔ Press <T> key.
- ➔ Press key <0> six times.
- ➔ Press <T> key.
- ➔ Press <T> key.
- ➔ Press <T> key.



7.5.2 Pr 703 Display load cell type

The display in Pr 703 is used only for control. No entries possible.

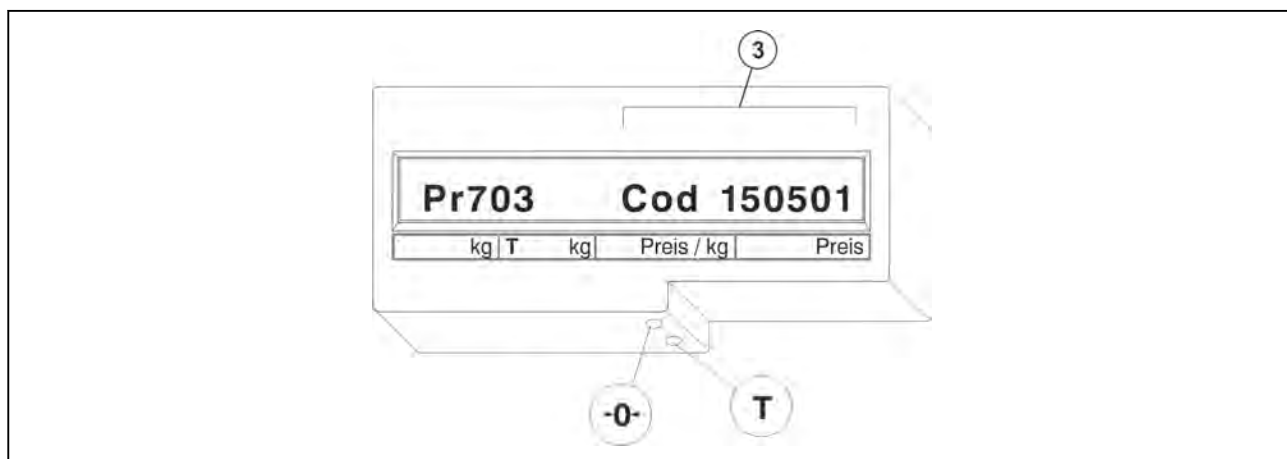


Fig. 90: Pr 703
Display possibilities:

Display ③	Load cell types	Load capacity	Interval
Cod 060201	WS12; WS18; WS22; WS36	6 kg	2 g
Cod 060202	WS12; WS18; WS22	3/6 kg	1/2 g
Cod 060203	WS12	3/6 kg	1/2 g
Cod 060101	WS12; WS18	6 kg	1 g
Cod 150201	WS18; WS36	15 kg	2 g
Cod 150501	WS18; WS22; WS36	15 kg	5 g
Cod 150502	WS18; WP 18; WS22; WS36	6/15 kg	2/5 g

Display ③	Load cell types	Load capacity	Interval
Cod 150503	WS18	6/15 kg	2/5 g
Cod 120201	WS18; WS22; WS36	12 kg	2 g
Cod 151501	WS12; WS 18; WS22	15 lb	0.005 lb
Cod 301111	WS18; WS22; WS36	30 lb	0.01 lb
Cod 301112	WS18; WS22; WS36	15/30 lb	0.005/0.01 lb
Cod 301113	WS18	15/30 lb	0.005/0.01 lb
Cod 301501	WS18; WS22; WS36	30 lb	0.005 lb
Cod 300111	WS36	30 kg	10 g
Cod 300112	WS36	15/30 kg	5/10 g
Cod 300113	WS36	15/30 kg	5/10 g
Cod 300501	WS36	30 kg	5 g
Cod 601211	WS36	60 lb	0.02 lb
Cod 601212	WS36	30/60 lb	0.01/0.02 lb
Cod 601111	WS36	60 lb	0.01 lb
Cod 030011	WS36	30 kg	10 g

Pr 703 Operating procedure

- ➔ Press key <0> three times.
- ➔ Press <T> key.
- ➔ Press key <0> six times.
- ➔ Press <T> key.
- ➔ Press key <0> twice.
- ➔ Press <T> key.
- ➔ Press <T> key.

Pr1--
Pr7--
Pr701
Pr703
Pr703 Cod 150502
Pr1--

7.5.3 Pr 705 Logbook control

Go to menu Pr705 to view logbook information..

Every software download is registered in the logbook.

Overview of logbook information

- Step 1 Software identification number (software ID).
- Step 2 Entries in the logbook.

The display related to step no. 2 is divided in substeps.

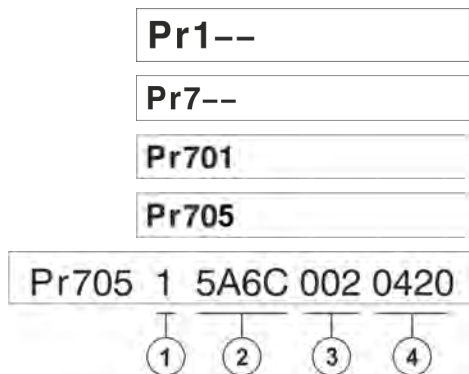
7

Step	Display	
2-1	21	Consecutive number of logbook entry, Department number, Component number.
2-2	22	Software ID, version number of loaded software.
2-3	23	Date and time of download.

Calling up logbook entries with P displays.

Example:

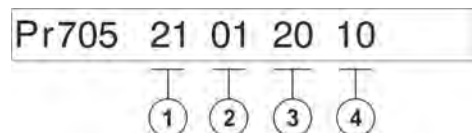
- ➔ Press key <0> three times.
- ➔ Press <T> key.
- ➔ Press key <0> six times.
- ➔ Press <T> key.
- ➔ Press key <0> four times.
- ➔ Press <T> key.



Step 1

- ① Displayed step
- ② Software ID
- ③ Version number of legally relevant part
- ④ Program version CS 300 of legally non-relevant part

- ➔ Press key <0>.

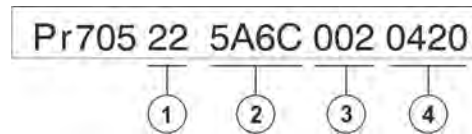


Step 2-1

- ① Displayed step
- ② Consecutive number of logbook entry

- ③ Department no.
- ④ Component number

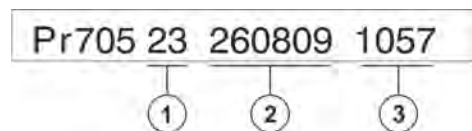
⇒ Press key <0>.



Step 2-2

- ① Displayed step
- ② Software ID
- ③ Version number of legally relevant part
- ④ Program version CS 300 of legally non-relevant part

⇒ Press key <0>.



Step 2-3

- ① Displayed step
- ② Date
- ③ Time

Steps 2-1 to 2-3 are repeated until all logbook entries have been displayed. If all entries have been displayed, the scale returns to the initial menu display.

Calling up logbook entries on CS 300 SD

Select programming mode during display test (checked pattern).

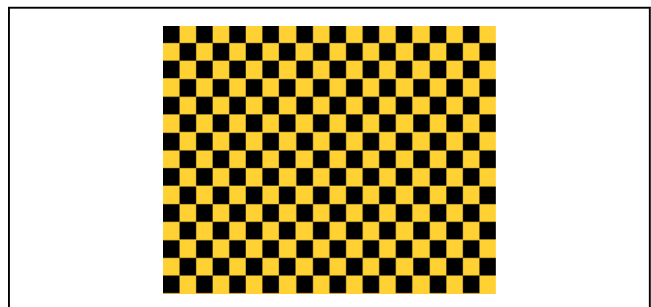
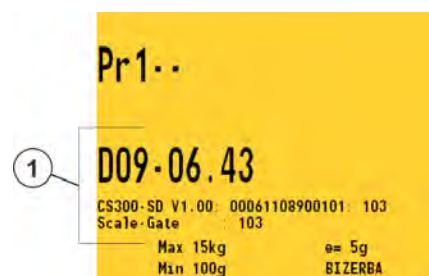


Fig. 91: Screen display

Example:

- ⇒ Press key <0> three times.
- ⇒ Press key <T>.



The data ① for identifying the software display occur for approx. 10 seconds.

7

⇒ Press key <0> six times.



⇒ Press key <T>.



⇒ Press key <0> four times.



Step 1

⇒ Press key <T>.

- ① Displayed step
- ② Software ID
- ③ Version number of legally relevant part
- ④ Program version CS 300 of part which is not legally relevant

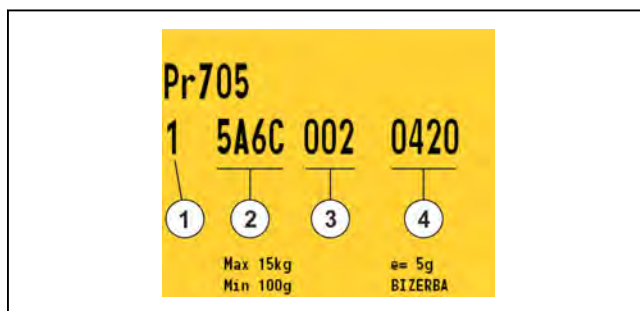


Fig. 92: Step 1

Step 2-1

⇒ Press key <0>.

- ① Displayed step
- ② Consecutive number of logbook entry
- ③ Department number
- ④ Component number

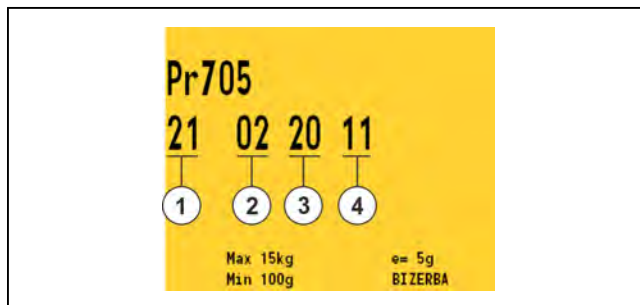


Fig. 93: Step 2-1

Step 2-2

➔ Press key <0>.

- ① Displayed step
- ② Software ID
- ③ Version number of legally relevant part
- ④ Program version CS 300 of part which is not legally relevant

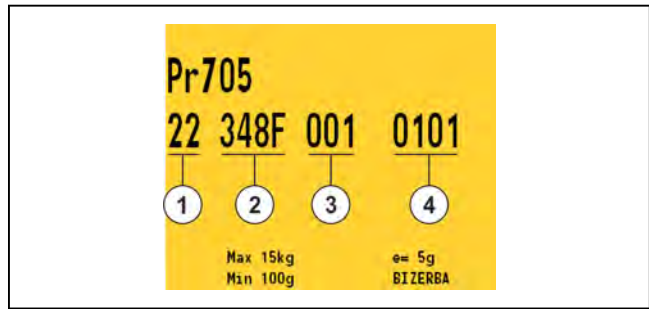


Fig. 94: Step 2-2

Step 2-3

➔ Press key <0>.

- ① Displayed step
- ② Date
- ③ Time

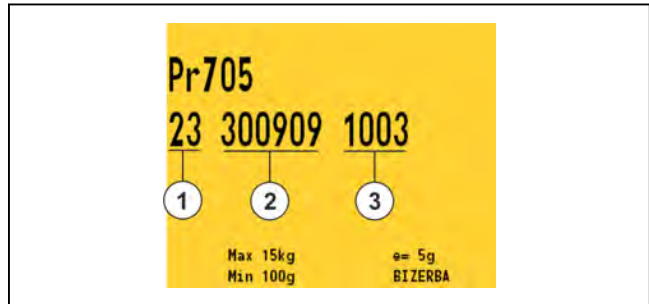


Fig. 95: Step 2-3

Step 2-1

➔ Press key <0>.

- ① Displayed step
- ② Consecutive number of logbook entry
- ③ Department number
- ④ Component number

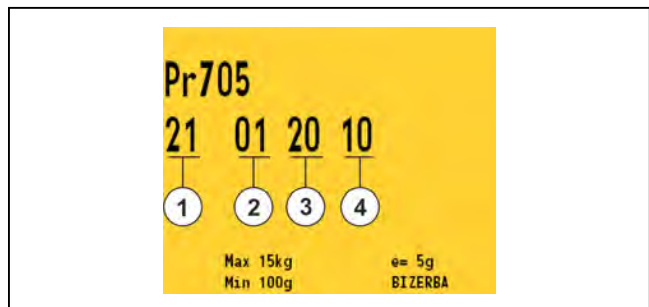


Fig. 96: Step 2-1

Step 2-2

➔ Press key <0>.

- ① Displayed step
- ② Software ID
- ③ Version number of legally relevant part
- ④ Program version CS 300 of part which is not legally relevant

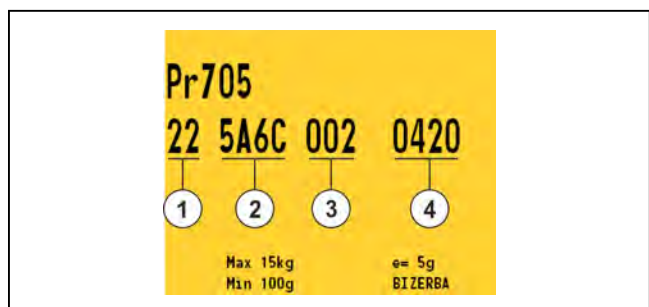


Fig. 97: Step 2-2

Step 2-3

➔ Press key <0>.

- ① Displayed step
- ② Date
- ③ Time

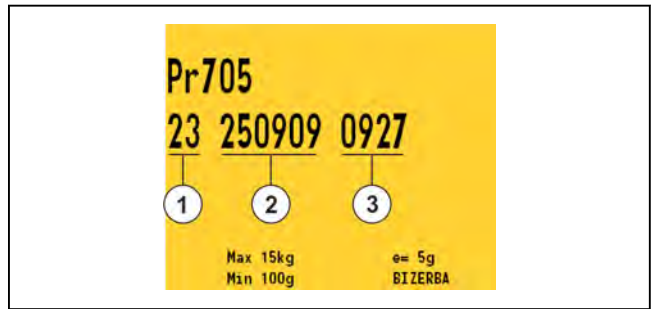


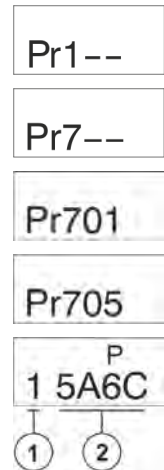
Fig. 98: Step 2-3

7

Steps 2-1 to 2-3 are repeated until all logbook entries have been displayed. If all entries have been displayed, the scale returns to the initial menu display.

Calling up logbook entries with WS display

- ➔ Press key <0> three times.
- ➔ Press <T> key.
- ➔ Press key <0> six times.
- ➔ Press <T> key.
- ➔ Press key <0> four times.
- ➔ Press <T> key.

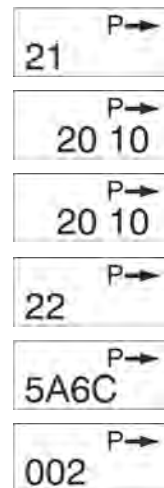


Step 1

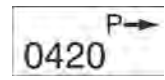
- ① Displayed step
- ② Software ID

Press <0> key or further steps.

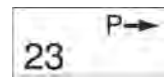
- ① Step 2-1
- ② Consecutive number of logbook entry
- ③ Department number e.g. 20 /component number e.g. 10
- ④ Step 2-2
- ⑤ Software ID
- ⑥ Version number of legally relevant part



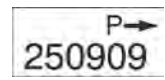
①-0- Program version of legally non-relevant part



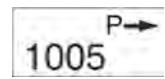
①-0- Step 2-3



①-0- Date of download: 25 Sept. 2009

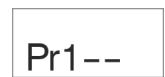


①-0- Time of download: 10:05 a.m.



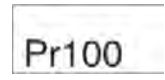
Repeat steps 2-1 to 2-3 until all logbook entries have been displayed. If all entries have been displayed, the scale returns to the initial menu display.

①-0- Press key <0>.

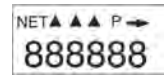


Press <T> key twice to access the weighing mode.

① T



① T



The scale starts the display test.

7.6 Overview of programming

	Setting option Display example		Menu	See page
Checkout dialog	00 ↓ 12	Standard 06	Pr 201	7 - 2
Switching between POS / scale display on 1/4 VGA display	0 1	Switching after motion on scale Switch after approx. 2 sec.	Pr 204	7 - 3
Active zeropoint monitoring	0 1	passive zeropoint monitoring active zero point monitoring	Pr 206	7 - 4
Tare function	00 01 10	Tare function enabled (auto delete) no tare function Tare function enabled (manually delete)	Pr 209	7 - 5
0-LED with scanner	0 1 2	LED off with zero LED is not controlled LED on with zero	Pr 401	7 - 6
Set display type	1 to 6		Pr 404	7 - 7
Fine resolution display		0,000 00,0000	Pr 701	7 - 8
Display load cell type		Pr703 Cod 150502	Pr 703	7 - 8
Logbook monitoring		Pr705 1 5A6C	Pr 705	7 - 9

8 Troubleshooting

The following table lists the most common problems along with their solutions and assists you to solve problems you may encounter by trying the suggested remedies.

In the case of errors which you cannot eliminate yourself and which are not described in these operating instructions, please call your Bizerba customer service point.

Please provide your Bizerba customer service point with the following details:

- Device type (see identification plate)
- Device no. (see identification plate)
- Error description

This will facilitate preparations by customer service staff.

8.1 Fault description

Fault	Cause	Elimination
Display does not illuminate.	No supply voltage	Check the mains/ power supply cable and plug it in.
Weight display not on zero or changing.	Load plate not correctly positioned or objects located on the load plate. Soiling on or beneath the load plate. Scale not leveled.	Clean load plate, position correctly and remove objects. Level scale. Switch scale off/on.

8.2 Messages

Operating errors or faults in the electronic system are indicated by "Cod" and an error code.

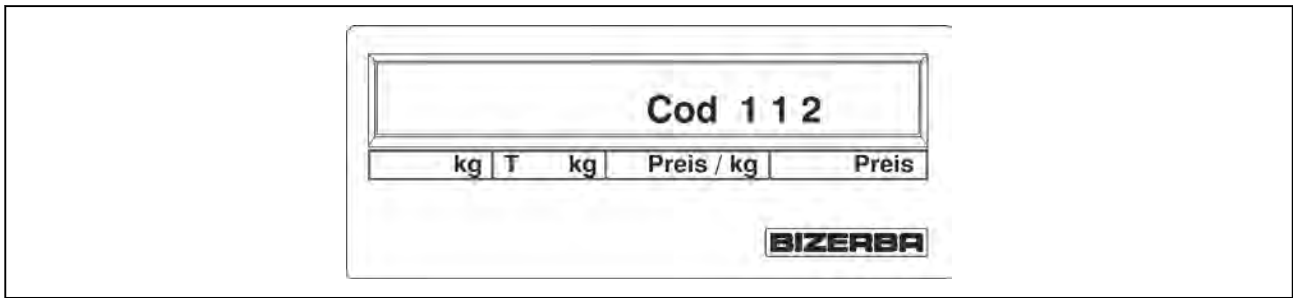


Fig. 99: Display

8

Messages	Cause	Elimination
Cod 112	Movement of the scale during start-up.	Do not move the scale!
Cod 110	Scale loaded during start-up.	Unload scales!
Cod 110	Scale below zero during start-up.	Apply load platter.
Other error code digits	-----	Press key <0>.
→0← (only with VGA display)	Zeropoint monitoring Load was not removed from scale for more than 2 minutes.	Unload scales!

9 Maintenance

9.1 Cleaning

The cleaning instructions must be observed during installation, operation and maintenance.

-
- CAUTION** **Incorrect cleaning agents!**
Damage of device surfaces.
- Do not use spirit, acetone or aggressive cleaning or scouring agents.
-

-
- CAUTION** **Cleaning!**
Damage due to water in the device.
- make sure that no water runs into the device when cleaning.
 - Do not wash device off or spray-wash.
-

9

Use warm water with dish-washing detergent (food safe) for cleaning. Use a soft, non-fraying cloth, moistened lightly. Use a properly wrung-out cloth. The cloth must be nearly dry.

Remove dirt from beneath the load plate.

- Switch device off and remove AC power plug.
- Remove load plate.
- Remove loose dirt with a brush or a vacuum cleaner.
- Position load plate.
- Plug in power pack

9.2 Servicing

Cleaning

Remove loose dirt from beneath the load plate at 4-weekly intervals, see Cleaning.

Testing the weight display

Place two reference weights successively at height of half max. load and read off the display at 15 or 30lb.

This test must be repeated at regular intervals.

10 Technical data

10.1 Dimensions

Scale CS 300 TM

- Ⓛ Length: 340 mm
- ⓑ Width: 275 mm
- ⓗ Construction height: 101 mm

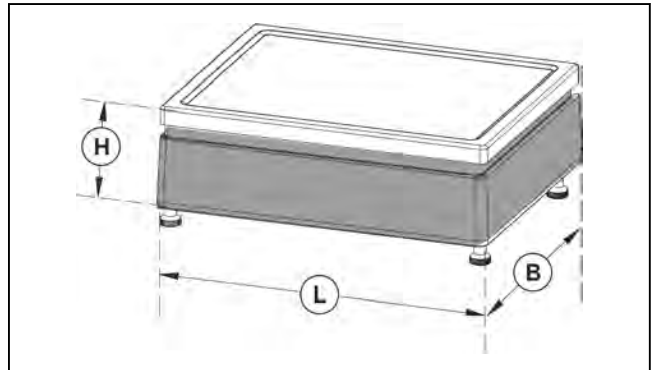


Fig. 100: CS 300 TM

Scale CS 300 TE

- Ⓛ Length: 335 mm
- ⓑ Width: 270 mm
- ⓗ Construction height: 96 mm

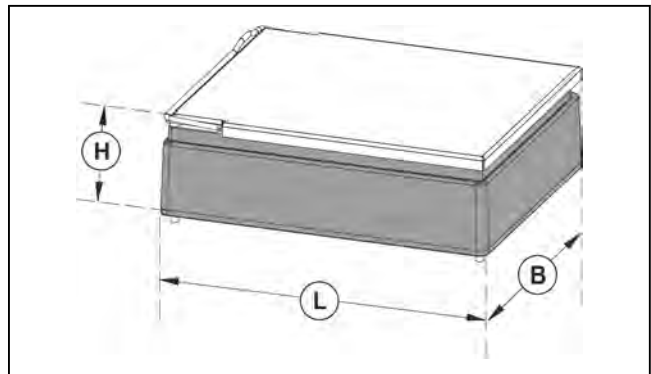


Fig. 101: CS 300 TE

Scale CS 300 ER-K

- Ⓛ₁ Length 1: 330 mm
- Ⓛ₂ Length 2: 350 - 421 mm
dep.on roller conveyor
- ⓑ₁ Width 1: 220 mm
- ⓑ₂ Width 2: 250 - 280 mm
dep.on roller conveyor
- ⓗ Construction height: 39.9 mm

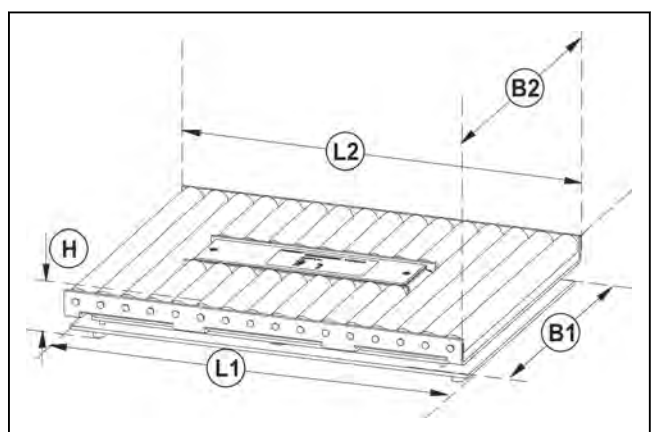


Fig. 102: CS 300 ER

10.2 Dimensions of CS displays

P display on stand

Ⓛ1	Length 1:	210 mm
Ⓛ2	Length 2:	125 mm
Ⓑ1	Width 1:	90 mm
Ⓑ2	Width 2:	52 mm
Ⓜ1	Housing height 1:	91.4 mm
Ⓜ2	Housing height 2:	79 mm
Ⓜ3	Overall height 3:	416mm

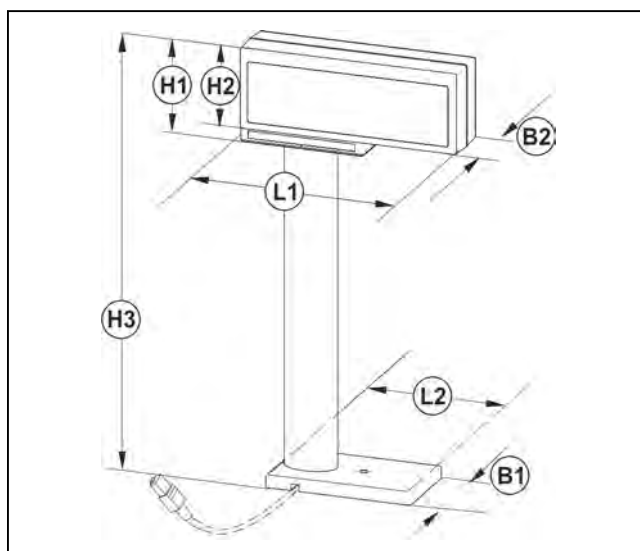


Fig. 103: P display on stand

10

Display P with angle

Ⓛ1	Length:	210.0 mm
Ⓜ1	Housing height:	491.4 mm

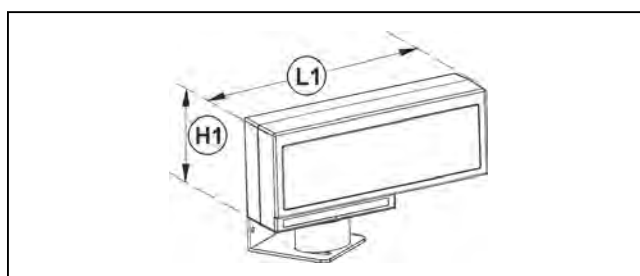


Fig. 104: Display P with angle

WS display

Ⓛ1	Length 1:	163 mm
Ⓛ2	Length 2:	125 mm
Ⓑ1	Width 1:	90 mm
Ⓑ2	Width 2:	55 mm
Ⓜ1	Housing height:	76 mm
Ⓜ2	Overall height:	402 mm

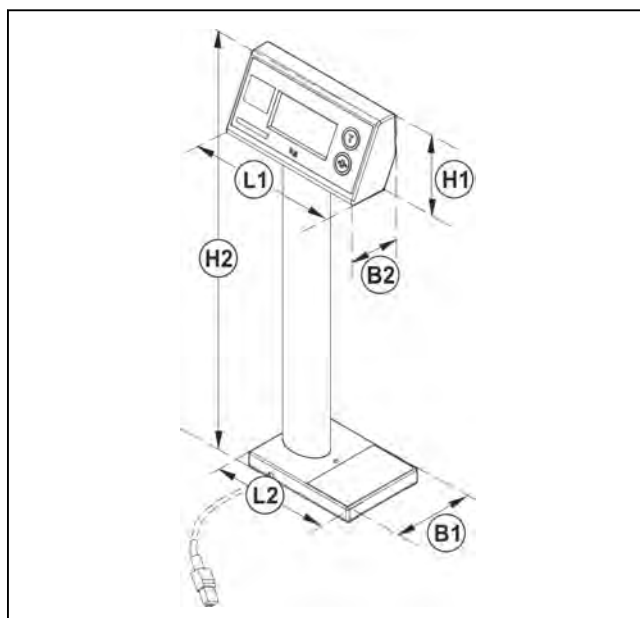


Fig. 105: Display WS on stand

10.3 Power supply

The electrical power supply must comply with the national requirements and tolerances.

Technical data of power supply

Mains supply

Single-phase AC voltage, see data on identification plate.

220 V / 230 V

110 V / 120 V

Permissible mains voltage tolerance (steady-state) normal: +6% to - 10% of nominal value

Mains frequency: 50 (60) Hz

Permissible tolerance of mains frequency: +2 to -2%

Admissible distortion factor of mains voltage: $\leq 5\%$

Leakage current protective conductor max.: 3.5 mA

10

Plug-in transformer unit

Bizerba devices are built according to VDE protection \diamond (extra-low voltage) and must be connected to a plug-in power supply unit with extra-low voltage. Nominal value: 9V DC 500 mA.



For direct plug-in transformer units:

This product is to be power-supplied via a listed plug-in transformer unit with identification class 2 and the electric nominal values 9V DC, 500mA.

10.4 Ambient conditions

Strictly adhere to the following requirements when applying electronic retail scales weighing and EDP systems, recording units and similar devices, device combinations and spare parts.

For other manufacturers' equipment included in Bizerba's scope of supply, the respective manufacturer's regulations take preference if they deviate from Bizerba's conditions.

Limit values

Device family	Protection class as per IP	Temperature °C Celsius (degF Fahrenheit)				Relative air humidity %			
		Operation		Storage		Operation		Storage	
		min.	max.	min.	max.	min.	max.	min.	max. ¹
EDP systems:	20	+15 (+60)	+30 (+87)	-10 (+14)	+43 (+109)	8	80	20	80
Retail scales	20	-10 (+14)	+40 (+104)	-20 (-4)	+60 (+140)		90		90
External devices	The limit values of the respective manufacturers apply								

10

¹ Moisture condensation of equipment not permissible

Subject index

A

Air humidity, 10 - 4

C

Check, 4 - 4

Check freedom of movement, 4 - 4

Checkout dialog, 7 - 2

Cleaning, 9 - 1

Connection

CS 300 ER-K, 4 - 12

CS 300 MA 84, 4 - 18

CS 300 TE, 4 - 9

CS 300 TM, 4 - 6

D

device

switch on, 6 - 1

Device

Switch-off, 6 - 1

Device types, 2 - 1

Dimensions, 10 - 1

CS 300 MA 84, 4 - 17

CS 300 MA 94, 4 - 23

CS 300 MA 98, 4 - 28

CS 300 TM, 4 - 5

Display, 5 - 1

Design, 5 - 3

Types, 5 - 2

VGA display, 5 - 3

Disposal, 2 - 8

E

Error code, 8 - 1

F

Fine resolution display, 7 - 8

G

Guidelines, 2 - 6

I

Identification plate, 2 - 2

Installation

CS 300 MA 84, 4 - 16

CS 300 MA 94, 4 - 22

CS 300 MA 98, 4 - 28

CS 300 SD, 4 - 30

CS 300 TE, 4 - 7

CS 300 TM, 4 - 5

Installation requirements, 4 - 2

Interference suppression, 2 - 7

L

Log journal, 5 - 7

Logbook, 7 - 9

M

Mains connection AC, 2 - 7

Mains supply, 10 - 3

Mounting, 4 - 5

CS 300 ER-K, 4 - 9, 4 - 10

CS 300 MA 84, 4 - 12

CS 300 MA 94, 4 - 18

CS 300 TE, 4 - 7

O

Operating conditions, 2 - 7

P

Place of installation, 4 - 2

Plates, 3 - 2

Plug-in transformer unit, 10 - 3

POSScale, 5 - 7

Power supply, 2 - 7

Protection type, 10 - 4

S

Servicing, 9 - 1

Significance of, 1 - 2

11 **Software display, 4 - 30**

Standards, 2 - 6

Start-up, 4 - 3

Storage

Device, 4 - 1

Switch on, 4 - 3, 6 - 1

Switch-off, 6 - 1

Symbols used, 1 - 2

T

Tare, 6 - 2

Functions, 7 - 5

Temperature, 10 - 4

Transport, 4 - 1

W

Warnings, 1 - 3, 3 - 1

Warranty, 2 - 8

Appendix

Declaration of conformity CS 300

Hauptverwaltung Balingen
P.O. Box 10 01 64, 72301 Balingen
Wilhelm-Kraut-Straße 65
72336 Balingen, Germany

BIZERBA



Declaration of conformity

valid until 4/19/2016

We herewith declare that the design of the non-automatic scales indicated hereafter

Designation:	Retail scale
Type:	CS 300...
No. of EC type approval:	D99-09-007
No. of appointed body for the EC type approval:	0102 (PTB)

conforms to the assembly described in the type approval as well as the valid requirements in the following EC guidelines:

EC Scale Directive	2009/23/EC
Electromagnetic Compatibility Directive (EMC)	2004/108/EC
EC Low Voltage Guideline	2006/95/EC

Harmonized standards and technical specifications applied:

Metrology:	DIN EN 45501 (OIML R76-1, 2006)
EMC:	DIN EN 61000-6-1/ 2007-10; DIN EN 55022/ 2011-12
Safety:	DIN EN 60950-1

The Declaration of Conformity only applies with regard to the EC Scales Guideline in conjunction with a conformity certification from an appointed body.

This sentence is omitted when the conformity evaluation has been carried out by Bizerba.

The basis for the declaration of conformity is the contract documents (Bizerba purchase order documents). This declaration will lose its validity in the event of modifications to the above-described device type which have not been agreed with Bizerba or performed by Bizerba.

Date: 10/22/2014

Signature of manufacturer:

By proxy

Title of signatory:

Dr. Christian Tölg
Director Global Retail Systems Technology
Bizerba GmbH & Co. KG