

Accessories MF

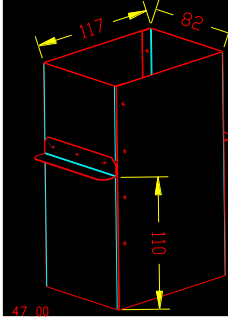


Side ice spout
for MF46-56-66

SCKIC046ICC0000



Stainless steel
Ice chute
junction for
MF66 with bin



SCKITCONVMF6600



Ice chute for MF 46-56
cm 150 complete of
flanges and ice sensor

SCKITCONVMF4656



Kit ice sensor connection with
MF

SCKITINTERFAC00

Accessories MF



Kit UV lamp for
MF46/56

SCKITUVLAMPMF01



Kit UV lamp for
MF66
(double lamp)

SCKITUVLAMPMF02



Filter / Softener by
polyphosphates
Chillit Immuno

SCDECALCH180000



Recovery powder charge for
Chillit Immuno
Kit 2 buste

SCDECALCH55SALT

Accessories MF



Condensing unit for MF58Split
HP 1,40
R452A - 400V/50/3N

SCUR058SPLX2600



Condensing unit for MF68Split
HP 2,50
R448A/R449A - 400V/50/3N

SCUR068SPLI2600



Condensing unit for MF88Split
MFNS88Split R448A/R449A
HP 6,00 400V/50/3N

SCUR208SPLX2600



max. load 2 x 120Kg

Kit brackets for condensing
unit wall installation

SCURBRACKETS000

Accessories MAR



Cover for ice chute; completed
with inspection window for
MAR56/76/106/126
MAR78/108/128

SCCOVERMARS0000



Cover for ice chute; completed
with inspection window for
MAR206/306
MAR208/308

SCCOVERMARL0001



Modular ice
chute in ABS
cm. 90

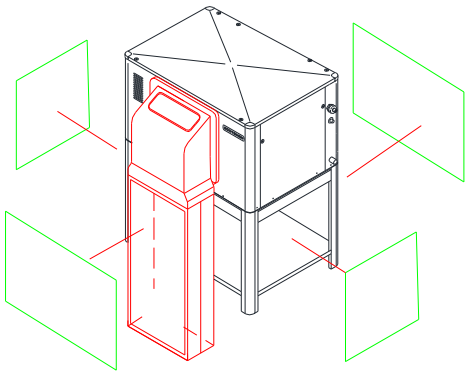
SCKICMAREXT0001



Double ice chute Y in ABS cm. 65

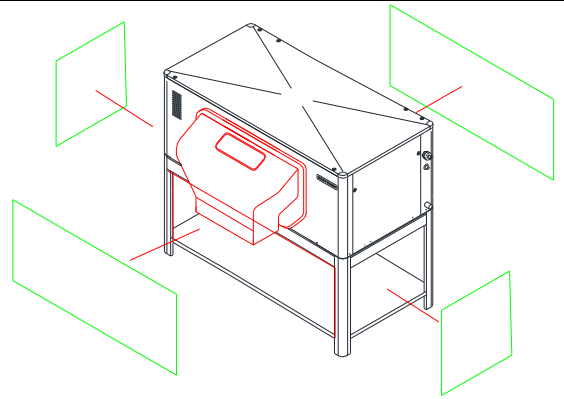
SCURBRACKETS000

Accessories MAR



Stainless steel side panels for
MAR56/76/106/126

KITPANNMAR1050



Stainless steel side panels for
MAR206/306

KITPANNMAR3050



Condensing unit for MAR78Split
HP 2,00 R448A/R449A -
400V/50/3N

SCURMAR078SPLI2600



Condensing unit for MAR108Split
HP 3,50 R448A/R449A -
400V/50/3N

SCURMAR108SPLI2600

Accessories MAR



Condensing unit for MAR128Split
HP 4,00
R448A/R449A - 400V/50/3N

SCUR128SPLI2600



Condensing unit for MAR208Split
HP 6,00
R448A/R449A - 400V/50/3N

SCUR208SPLX2600



Condensing unit for MAR308Split
HP 14,00
R448A/R449A 400V/50/3N

SCUR308SPLX2600



max. load 2 x 120Kg

Kit brackets for condensing
unit wall installation

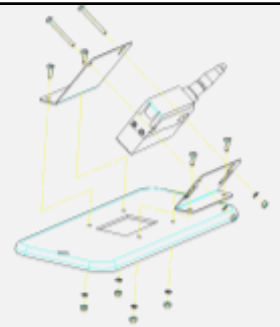
SCURBRACKETS000

Accessories MF/MAR



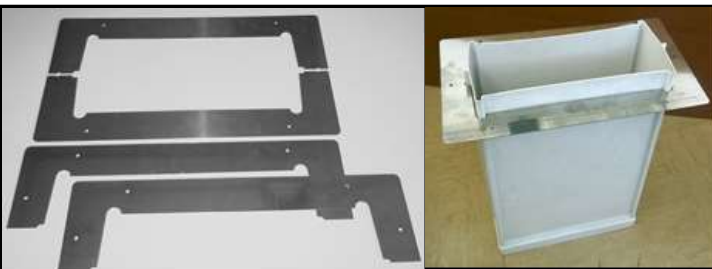
Kit weekly timer
(ON/OFF/Day/Hours)

SCKITTIMERSET01



Unidirectional infrared ice sensor
(set up from 0 to 200 cm.)

SCICESENSOR0004



Kit flanges to seal pass through
ice chute (standard supplied with
COVERMARS and COVERMARL)

SCKICMAREXTHOLE



S/S frame (to be assembled)
119(L)x99(P)x111(H) cm
To support ice machine and
recover RBC carts

SCRBCSTANDM0010

Accessories MF/MAR



Polyethylene foodsafe Cart 400 liters (200Kg ice average) dimensions 70x94x86h cm.

SCRBC4000000000



Insulated polyethylene foodsafe Cart 200 liters (100Kg ice average) dimensions 83x74x74h cm.

SCRBC2000000000



Insulated polyethylene foodsafe Cart 300 liters (150Kg ice average) 84x74x99h cm.

SCRBC3000000000



Insulated polyethylene foodsafe Cart 500 liters (250Kg ice average) 128x98x91h cm.

SCRBC5000000000

Accessories MF/MAR



Polyethylene ice shovel
cm. 112

SCSHOVELLARGE00



Kit *XSafe* – powerful UV light bulb creates a highly-reactive enriched oxygen mixture (O₃)

SCXSAFEXR30000



Polyethylene ice paddle for bin
with cart cm. 120

SCITSPADDLE000

