



## PRODUCT LIST 2017

1. PROFESSIONAL KITCHEN WORKTABLES
2. OTHER TABLES AND STANDS
3. DISHWASHING EQUIPMENT
4. SHELVES AND CUPBOARDS
5. TROLLEYS
6. EXHAUST HOODS
7. BAR EQUIPMENT
- 8. SERVING LINE EQUIPMENT**
9. COOLING COUNTERS AND HEATED EQUIPMENT
10. MODULAR TABLES

**YOUR RELIABLE PARTNER**

Novameta is the largest and most advanced manufacturer of stainless steel commercial kitchen equipment in Baltic and Scandinavian countries. Extensive 16-year experience, attention to details along with an innovative mindset are the key factors which have enabled Novameta to establish trust in 18 markets throughout Europe.

A wide range of hot, cold and neutral standard equipment, precisely engineered and crafted non-standard products combined with a short, typically 2-4 week lead time is what makes us stand out of the crowd. What is more, our experienced team is all set to provide professional support and technical advice, enabling our clients to turn their ideas to tailor made turnkey solutions.

All of our products are marketed through a professional network of distributors throughout Europe. We are proud to provide an all-round assistance to our dealers, helping them to excel in the things they do best - planning, taking care of supply, installation and service to fulfil the needs of catering, bakery and retail industries.

Our main objectives are to maintain solid positions in Europe through sustaining partnership relationships with our clients, whilst at the same time expanding into new markets worldwide. Experienced and ambitious sales team, application of up-to-date 3D CAD software in our in-house design department, employment of latest production technologies and LEAN quality management based on ISO 9001:2000 standard, have determined the rapid expansion of our sales markets and therefore the consequent quick growth of the company.

Currently, over 165 employees work in the enterprise and the production area covers 5000 m<sup>2</sup>. Novameta manufactures over 180 different items every day, more than 1000 projects yearly!



**Novameta**  
 Draugystės g. 15D, LT-51227 Kaunas, Lithuania  
 + 370 37 30 23 30  
 novameta@novameta.lt  
 www.novameta.lt

**Novameta UK**  
 1210 Parkview, Arlington Business Park, Thrale, Reading, Berkshire RG7 4TY, UK  
 +44 118 965 4098  
 +44 791 874 0027  
 sales@novameta.co.uk  
 www.novameta.co.uk

**CONTENTS**

	<b>Z-EPC-PLV</b>	SERVING LINE MODULE .....	8.6
	<b>Z-EPP-PRV</b>	BUFFET .....	8.8
	<b>Z-EPS-PRV</b>	ISLAND BUFFET .....	8.8
	<b>LPH1</b>	SINGLE HEATED SHELF FOR SERVING LINE .....	8.10
	<b>LPH2</b>	DOUBLE HEATED SHELF FOR SERVING LINE .....	8.10
	<b>LPHC1</b>	HEATED SHELF FOR BUFFET .....	8.12
	<b>LPE1</b>	SINGLE NEUTRAL SHELF FOR SERVING LINE .....	8.14
	<b>LPEC1</b>	NEUTRAL SHELF FOR BUFFET .....	8.16
	<b>UNB1</b>	DROP-IN DISPENSER FOR DISHWASHER BASKETS .....	8.18
	<b>UNT1</b>	DROP-IN DISPENSER FOR TRAYS .....	8.18
	<b>UNL1</b>	NEUTRAL DROP-IN DISPENSER FOR PLATES .....	8.20
	<b>UWL1</b>	HEATED DROP-IN DISPENSER FOR PLATES .....	8.20
	<b>VTBD1</b>	DISPENSER TROLLEY FOR DISHWASHER BASKETS .....	8.22
	<b>VTTD1</b>	DISPENSER TROLLEY FOR TRAYS .....	8.22
	<b>VTLD2</b>	NEUTRAL DISPENSER TROLLEY FOR PLATES .....	8.24
	<b>VTLW2</b>	HEATED DISPENSER TROLLEY FOR PLATES .....	8.24
	<b>K-ETS</b>	HEATED DROP-IN SOUP WELL .....	8.26
	<b>UCG</b>	DROP-IN STATIC COOLING COLD BASIN .....	8.28
	<b>UCGV</b>	DROP-IN VENTILATED COLD BASIN .....	8.30
	<b>UWM</b>	DROP-IN BAIN MARIE BASIN .....	8.32
	<b>UCP</b>	DROP-IN COLD SURFACE .....	8.34
	<b>UWP1</b>	DROP-IN HEATED SURFACE .....	8.36
	<b>Z-UWPS1</b>	BUILT-IN HEATED GLASS SURFACE .....	8.38
	<b>UCV</b>	DROP-IN DISPLAY-COUNTER .....	8.40
		ADDITIONAL ACCESSORIES .....	8.42
		TERMS AND CONDITIONS .....	8.44
		REFERENCES AND EXAMPLES OF CUSTOMISED EQUIPMENT .....	8.46

**LAMINATE BUFFETS AT A GLANCE**

**HOW IT WORKS?**



3-4 week lead time



Detailed 3D drawings



Orders made on time



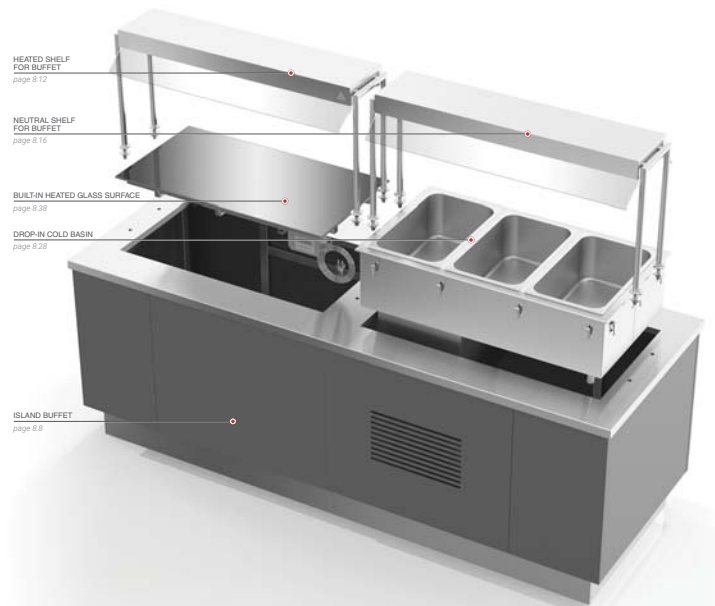
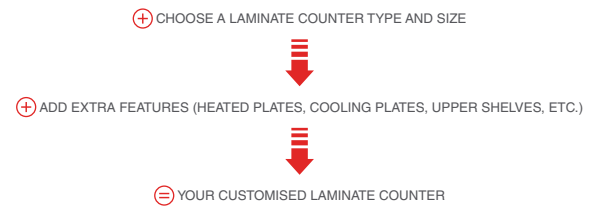
Wide range of different modules



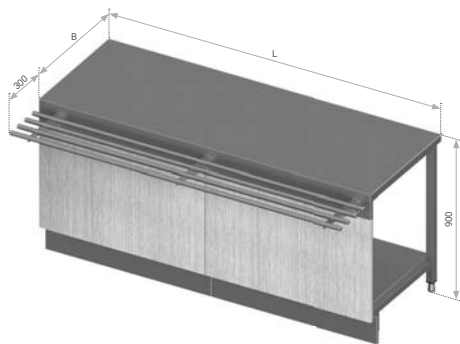
Flexibility in non-standard solutions



High-quality materials and sturdy construction



Designing costs apply



More accessories on page 8.42.  
Different dimensions and configurations are available on request. Examples on page 8.46.

Length L, mm	Width B, mm		Sections
	700 Model	800 Model	
600	Z-EPC-PLV-60/70/90	Z-EPC-PLV-60/80/90	1
700	Z-EPC-PLV-70/70/90	Z-EPC-PLV-70/80/90	1
800	Z-EPC-PLV-80/70/90	Z-EPC-PLV-80/80/90	1
900	Z-EPC-PLV-90/70/90	Z-EPC-PLV-90/80/90	1
1000	Z-EPC-PLV-100/70/90	Z-EPC-PLV-100/80/90	1
1100	Z-EPC-PLV-110/70/90	Z-EPC-PLV-110/80/90	1
1200	Z-EPC-PLV-120/70/90	Z-EPC-PLV-120/80/90	1
1300	Z-EPC-PLV-130/70/90	Z-EPC-PLV-130/80/90	1
1400	Z-EPC-PLV-140/70/90	Z-EPC-PLV-140/80/90	1
1500	Z-EPC-PLV-150/70/90	Z-EPC-PLV-150/80/90	1
1600	Z-EPC-PLV-160/70/90	Z-EPC-PLV-160/80/90	1
1700	Z-EPC-PLV-170/70/90	Z-EPC-PLV-170/80/90	1
1800	Z-EPC-PLV-180/70/90	Z-EPC-PLV-180/80/90	1
1900	Z-EPC-PLV-190/70/90	Z-EPC-PLV-190/80/90	1
2000	Z-EPC-PLV-200/70/90	Z-EPC-PLV-200/80/90	1
2100	Z-EPC-PLV-210/70/90	Z-EPC-PLV-210/80/90	2
2200	Z-EPC-PLV-220/70/90	Z-EPC-PLV-220/80/90	2
2300	Z-EPC-PLV-230/70/90	Z-EPC-PLV-230/80/90	2
2400	Z-EPC-PLV-240/70/90	Z-EPC-PLV-240/80/90	2
2500	Z-EPC-PLV-250/70/90	Z-EPC-PLV-250/80/90	2
2600	Z-EPC-PLV-260/70/90	Z-EPC-PLV-260/80/90	2
2700	Z-EPC-PLV-270/70/90	Z-EPC-PLV-270/80/90	2
2800	Z-EPC-PLV-280/70/90	Z-EPC-PLV-280/80/90	2
2900	Z-EPC-PLV-290/70/90	Z-EPC-PLV-290/80/90	2
3000	Z-EPC-PLV-300/70/90	Z-EPC-PLV-300/80/90	2
3100	Z-EPC-PLV-310/70/90	Z-EPC-PLV-310/80/90	2
3200	Z-EPC-PLV-320/70/90	Z-EPC-PLV-320/80/90	2
3300	Z-EPC-PLV-330/70/90	Z-EPC-PLV-330/80/90	2
3400	Z-EPC-PLV-340/70/90	Z-EPC-PLV-340/80/90	2
3500	Z-EPC-PLV-350/70/90	Z-EPC-PLV-350/80/90	2
3600	Z-EPC-PLV-360/70/90	Z-EPC-PLV-360/80/90	3
3700	Z-EPC-PLV-370/70/90	Z-EPC-PLV-370/80/90	3
3800	Z-EPC-PLV-380/70/90	Z-EPC-PLV-380/80/90	3
3900	Z-EPC-PLV-390/70/90	Z-EPC-PLV-390/80/90	3
4000	Z-EPC-PLV-400/70/90	Z-EPC-PLV-400/80/90	3

STANDARD FEATURES

**STAINLESS STEEL TRAY RAILS 300 mm**

- High front of table top (height 145 mm)
- High removable socle (height 160 mm)
- Welded frame  
Legs made of stainless steel tube 40 x 40 mm  
Max loading 120 kg/shelf (uniform layout)

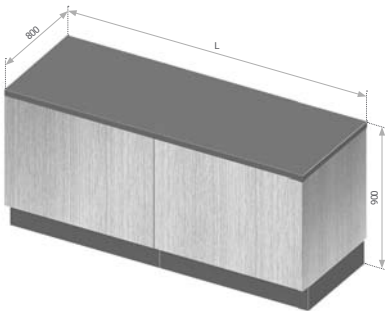
Standard laminate panel (all options on page 8.43)

OPTIONAL FEATURES

- Cut out for equipment**  
Code: Z-CUT
- Cut out for equipment**  
Code: Z-CUT-OPEN
- Side laminate panel**  
Code: Z-SIDE-LAM
- Additional shelf**  
Code: Z-L2
- Stainless steel ventilation grid**  
Code: Z-GRID
- Stainless steel tray rails**  
Code: Z-SPT  
Note: max length 2800 mm per piece
- Stainless steel shutting doors**  
Code: Z-VLU
- Stainless steel drawers**  
All options on page 8.44
- Non standard laminate panel**  
Code: Z-LAM  
Note: all options on page 8.43

## BUFFET

**NEW**



NEXT TO THE WALL - OPEN BACK SIDE

*f* Different dimensions and configurations are available on request. Examples on page 8.46.

Length L, mm	Width B, mm		Sections
	800	Model	
1500	Z-EPP-PRV-150/80/90		1
2000	Z-EPP-PRV-200/80/90		1
2500	Z-EPP-PRV-250/80/90		2
3000	Z-EPP-PRV-300/80/90		2

## STANDARD FEATURES

### HEAVY DUTY, LOW NOISE PRESSED SANDWICH CONSTRUCTION TABLE TOP (max loading 120 kg uniform layout)

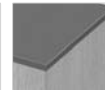
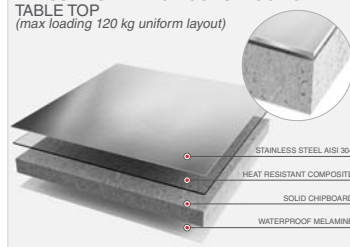
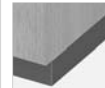
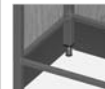


Table top height 40 mm



High removable socle (height 160 mm)



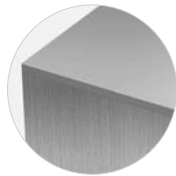
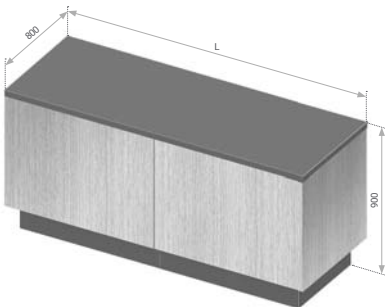
Welded frame  
Legs made of stainless steel tube 40 x 40 mm  
Frame made of stainless steel tube 25 x 25 mm



Standard laminate panel (all options on page 8.43)

## ISLAND BUFFET

**NEW**



FREE STANDING - ALL SIDES CLOSED

*f* Different dimensions and configurations are available on request. Examples on page 8.46.

Length L, mm	Width B, mm		Sections
	800	Model	
1500	Z-EPS-PRV-150/80/90		1
2000	Z-EPS-PRV-200/80/90		1
2500	Z-EPS-PRV-250/80/90		2
3000	Z-EPS-PRV-300/80/90		2

## OPTIONAL FEATURES



Set of galvanized wheels Ø125 mm (4 pcs),  
2 pcs with brakes  
Code: K-RAX125-157NCG



Set of stainless steel wheels Ø125mm (4 pcs),  
2 pcs with brakes  
Code: K-RAX125-157NNG



Stainless steel tube tray rails  
Code: Z-STT



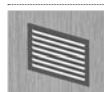
Stainless steel plain tray rails  
Code: Z-SPT  
Note: max length 2800 mm per piece



Foldable stainless steel tray rails  
Code: Z-FOLD



Niche for plates  
Code: Z-NICHE



Stainless steel ventilation grid  
Code: Z-GRID

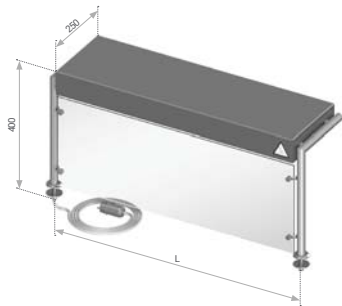


Shutting doors  
(laminated or stainless steel available)  
Code: Z-DOORS



Non standard laminate panel  
Code: Z-LAM  
Note: all options on page 8.43

## SINGLE HEATED SHELF FOR SERVING LINE

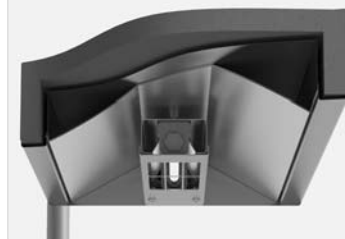


Designed for standard DROP-IN UWM units. Different dimensions and configurations are available on request. Examples on page 8.46.

Length L, mm	Model	Light bulbs	Max temperature, °C	Input	Max Power	Shelf dimension
795	LPH1-80/25/40	2 x 300 W	+60	2.6 A	600 W	2 GN1/1
1135	LPH1-114/25/40	2 x 300 W	+60	2.6 A	600 W	3 GN1/1
1480	LPH1-148/25/40	3 x 300 W	+60	3.9 A	900 W	4 GN1/1

### STANDARD FEATURES

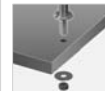
#### SHELF WITH INFRARED LIGHT BULBS 300 W AND THERMAL INSULATION



Adjustable temperature up to +60 °C



Tempered 6 mm glass



Frame made of round tube. Easy to assemble

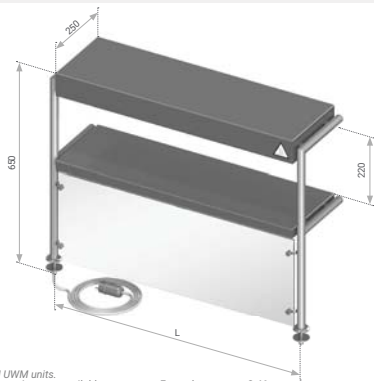


### OPTIONAL FEATURES



Light bulbs (500 W)  
Code: K-ELI-500W

## DOUBLE HEATED SHELF FOR SERVING LINE

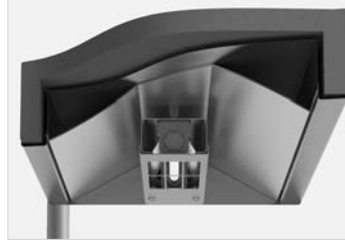


Designed for standard DROP-IN UWM units. Different dimensions and configurations are available on request. Examples on page 8.46.

Length L, mm	Model	Light bulbs	Max temperature, °C	Input	Max Power	Shelf dimension
795	LPH2-80/25/65	2 x 300 W	+60	2.6 A	600 W	2 GN1/1
1135	LPH2-114/25/65	2 x 300 W	+60	2.6 A	600 W	3 GN1/1
1480	LPH2-148/25/65	3 x 300 W	+60	3.9 A	900 W	4 GN1/1

### STANDARD FEATURES

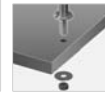
#### SHELF WITH INFRARED LIGHT BULBS 300 W AND THERMAL INSULATION



Adjustable temperature up to +60 °C



Tempered 6 mm glass



Frame made of round tube. Easy to assemble



### OPTIONAL FEATURES

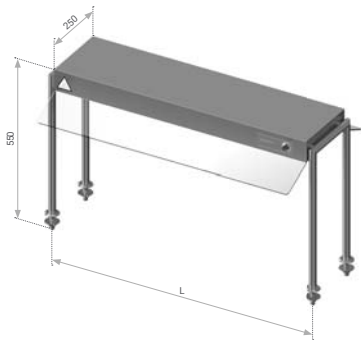


Light bulbs (500 W)  
Code: K-ELI-500W

## HEATED SHELF FOR BUFFET



NEW

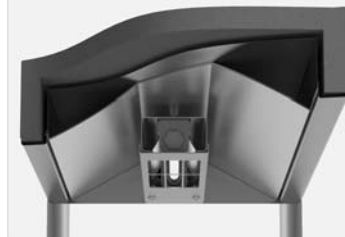


Designed for standard DROP-IN UWM units. Different dimensions and configurations are available on request. Examples on page 8.46.

Length L, mm	Model	Light bulbs	Max temperature, °C	Input	Max Power	Shelf dimension
795	LPHC1-80/25/55	2 x 300 W	+60	2,6 A	600 W	2 GN1/1
1135	LPHC1-114/25/55	2 x 300 W	+60	2,6 A	600 W	3 GN1/1
1480	LPHC1-148/25/55	3 x 300 W	+60	3,9 A	900 W	4 GN1/1

CE

### SHELF WITH INFRARED LIGHT BULBS 300 W AND THERMAL INSULATION



#### STANDARD FEATURES



Adjustable temperature up to +60 °C



Acrylic glass 4 mm on both sides



Frame made of round tube. Easy to assemble



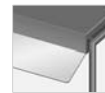
Max loading 10 kg/shelf (uniform layout)

#### OPTIONAL FEATURES



Without glass

Code: A-LPHC1-0S



Glass on one side

Code: A-LPHC1-1S



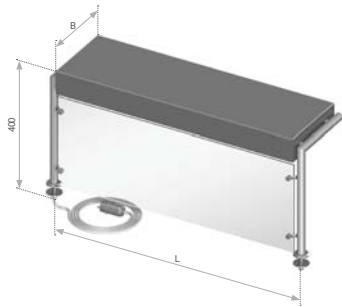
Light bulbs (500 W)

Code: K-ELI-500W

## SINGLE NEUTRAL SHELF FOR SERVING LINE



### STANDARD FEATURES



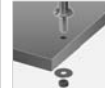
HEAVY DUTY CONSTRUCTION



LED lighting



Tempered 6 mm glass



Frame made of round tube. Easy to assemble



Max loading 10 kg/shelf (uniform layout)



*f* Different dimensions and configurations are available on request. Examples on page 8.46.

Length L, mm	Width B, mm			
	250	300	350	400
	Model	Model	Model	Model
1000	LPE1-100/25/40	LPE1-100/30/40	LPE1-100/35/40	LPE1-100/40/40
1100	LPE1-110/25/40	LPE1-110/30/40	LPE1-110/35/40	LPE1-110/40/40
1200	LPE1-120/25/40	LPE1-120/30/40	LPE1-120/35/40	LPE1-120/40/40
1300	LPE1-130/25/40	LPE1-130/30/40	LPE1-130/35/40	LPE1-130/40/40
1400	LPE1-140/25/40	LPE1-140/30/40	LPE1-140/35/40	LPE1-140/40/40
1500	LPE1-150/25/40	LPE1-150/30/40	LPE1-150/35/40	LPE1-150/40/40
1600	LPE1-160/25/40	LPE1-160/30/40	LPE1-160/35/40	LPE1-160/40/40
1700	LPE1-170/25/40	LPE1-170/30/40	LPE1-170/35/40	LPE1-170/40/40
1800	LPE1-180/25/40	LPE1-180/30/40	LPE1-180/35/40	LPE1-180/40/40
1900	LPE1-190/25/40	LPE1-190/30/40	LPE1-190/35/40	LPE1-190/40/40
2000	LPE1-200/25/40	LPE1-200/30/40	LPE1-200/35/40	LPE1-200/40/40

*f* Designed for standard DROP-IN units UCG, UCGV, UCP and UWM.

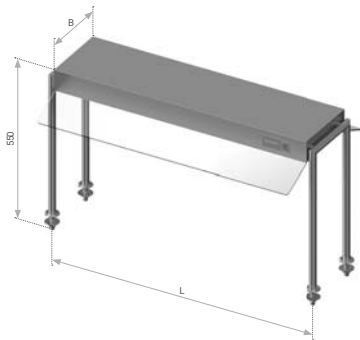
Length L, mm	Width B, mm				Shelf dimension
	250	300	350	400	
	Model	Model	Model	Model	
795	LPE1-80/25/40	LPE1-80/30/40	LPE1-80/35/40	LPE1-80/40/40	2 GN1/1
1135	LPE1-114/25/40	LPE1-114/30/40	LPE1-114/35/40	LPE1-114/40/40	3 GN1/1
1480	LPE1-148/25/40	LPE1-148/30/40	LPE1-148/35/40	LPE1-148/40/40	4 GN1/1
1820	LPE1-182/25/40	LPE1-182/30/40	LPE1-182/35/40	LPE1-182/40/40	5 GN1/1
2160	LPE1-216/25/40	LPE1-216/30/40	LPE1-216/35/40	LPE1-216/40/40	6 GN1/1



# NEUTRAL SHELF FOR BUFFET



**NEW**



*f* Different dimensions and configurations are available on request. Examples on page 8.46.

Length L, mm	Width B, mm			
	250 Model	300 Model	350 Model	400 Model
1000	LPEC1-100/25/55	LPEC1-100/30/55	LPEC1-100/35/55	LPEC1-100/40/55
1100	LPEC1-110/25/55	LPEC1-110/30/55	LPEC1-110/35/55	LPEC1-110/40/55
1200	LPEC1-120/25/55	LPEC1-120/30/55	LPEC1-120/35/55	LPEC1-120/40/55
1300	LPEC1-130/25/55	LPEC1-130/30/55	LPEC1-130/35/55	LPEC1-130/40/55
1400	LPEC1-140/25/55	LPEC1-140/30/55	LPEC1-140/35/55	LPEC1-140/40/55
1500	LPEC1-150/25/55	LPEC1-150/30/55	LPEC1-150/35/55	LPEC1-150/40/55
1600	LPEC1-160/25/55	LPEC1-160/30/55	LPEC1-160/35/55	LPEC1-160/40/55
1700	LPEC1-170/25/55	LPEC1-170/30/55	LPEC1-170/35/55	LPEC1-170/40/55
1800	LPEC1-180/25/55	LPEC1-180/30/55	LPEC1-180/35/55	LPEC1-180/40/55
1900	LPEC1-190/25/55	LPEC1-190/30/55	LPEC1-190/35/55	LPEC1-190/40/55
2000	LPEC1-200/25/55	LPEC1-200/30/55	LPEC1-200/35/55	LPEC1-200/40/55

*f* Designed for standard DROP-IN units UCG, UCGV, UCP and UWM.

Length L, mm	Width B, mm				Shelf dimension
	250 Model	300 Model	350 Model	400 Model	
795	LPEC1-80/25/55	LPEC1-80/30/55	LPEC1-80/35/55	LPEC1-80/55/55	2 GN1/1
1135	LPEC1-114/25/55	LPEC1-114/30/55	LPEC1-114/35/55	LPEC1-114/55/55	3 GN1/1
1480	LPEC1-148/25/55	LPEC1-148/30/55	LPEC1-148/35/55	LPEC1-148/55/55	4 GN1/1
1820	LPEC1-182/25/55	LPEC1-182/30/55	LPEC1-182/35/55	LPEC1-182/55/55	5 GN1/1
2160	LPEC1-216/25/55	LPEC1-216/30/55	LPEC1-216/35/55	LPEC1-216/55/55	6 GN1/1

CE

## HEAVY DUTY CONSTRUCTION



LED lighting



Acrylic glass 4 mm on both sides



Frame made of round tube. Easy to assemble



Max loading 10 kg/shelf (uniform layout)

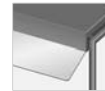
## STANDARD FEATURES

## OPTIONAL FEATURES



Without glass

Code: A-LPEC1-0S



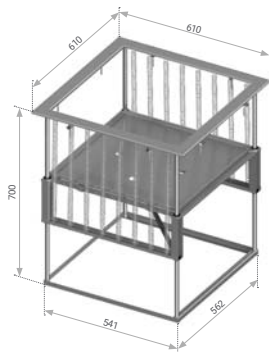
Glass on one side

Code: A-LPEC1-1S

## DROP-IN DISPENSER FOR DISHWASHER BASKETS



### STANDARD FEATURES



DROP-IN (easily fits on table top)



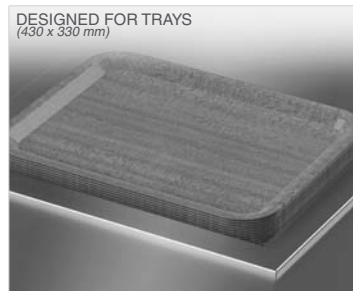
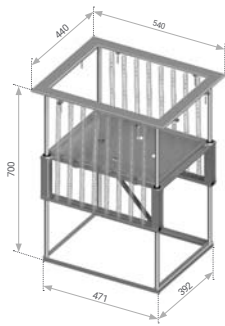
Self adjustable to weight of dishwasher baskets

*Different dimensions and configurations are available on request. Examples on page 8.46.*

Model	Cut out (mm)	Basket dimensions (mm)	Amount of baskets	Max load (kg)
UNB1-61/61/70	580 x 580	500 x 500 x 100	5	50

## DROP-IN DISPENSER FOR TRAYS

### STANDARD FEATURES



DROP-IN (easily fits on table top)



Self adjustable to weight of trays

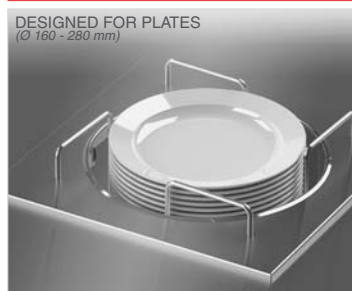
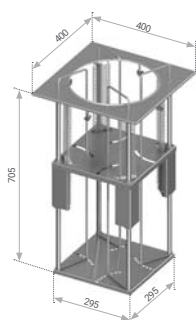
*Different dimensions and configurations are available on request. Examples on page 8.46.*

Model	Cut out (mm)	Tray dimensions (mm)	Amount of trays	Max load (kg)
UNT1-54/44/70	510 x 410	430 x 330	100	50

## NEUTRAL DROP-IN DISPENSER FOR PLATES



### STANDARD FEATURES



DROP-IN (easily fits on table top)



Self adjustable to weight of the plates



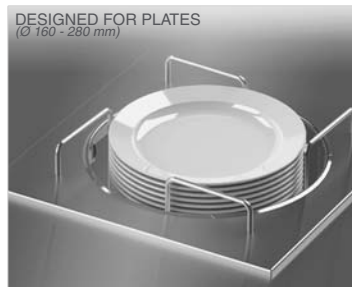
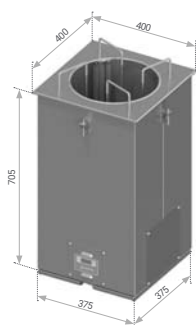
Suitable for plates of different size

Different dimensions and configurations are available on request. Examples on page 8.46.

Model	Cut out (mm)	Diameter of plates (mm)	Amount of plates	Max load (kg)
UNL1-40/40/71	350 x 350	160 - 280	50 - 70	35

## HEATED DROP-IN DISPENSER FOR PLATES

### STANDARD FEATURES



DROP-IN (easily fits on table top)



Self adjustable to weight of the plates



Suitable for plates of different size



Remote control  
Easy-to-clean digital controller with adjustable temperature (+30 ... +85 °C)

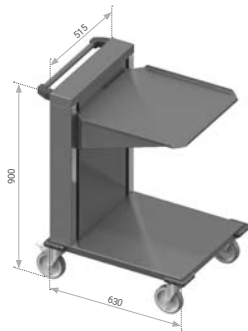


Double-wall construction with thermal insulation

Different dimensions and configurations are available on request. Examples on page 8.46.

Model	Cut out (mm)	Diameter of plates (mm)	Amount of plates	Max load (kg)	°C	Input	Power
UWL1-40/40/71	380x380	160 - 280	50 - 70	35	+30 ... +85	8,7 A	2000 W

## DISPENSER TROLLEY FOR DISHWASHER BASKETS

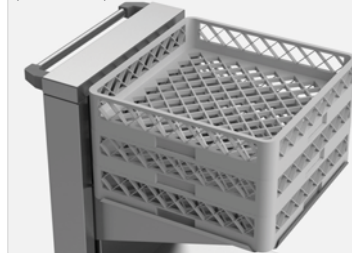


*Different dimensions and configurations are available on request. Examples on page 8.46.*

Model	Dimensions of baskets, mm	Amount of baskets	Max load, kg
VTB01-52/63/90	500 x 500 x 100	5	50

### STANDARD FEATURES

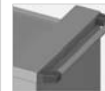
DESIGNED FOR DISHWASHER BASKETS  
(500 x 500 mm)



Set of galvanized wheels Ø125 mm (4 pcs),  
2 pcs with brakes, plastic protecting bumpers

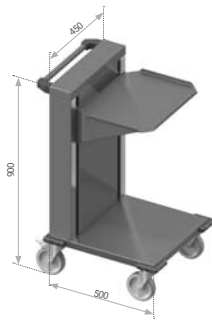


Easily removable back panel for spring adjustment



Ergonomic stainless steel handle

## DISPENSER TROLLEY FOR TRAYS



*Different dimensions and configurations are available on request. Examples on page 8.46.*

Model	Dimensions of tray, mm	Amount of trays	Max load, kg
VTTD1-45/50/90	430 x 330	100	50

### STANDARD FEATURES

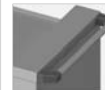
DESIGNED FOR TRAYS  
(430 x 330 mm)



Set of galvanized wheels Ø125 mm (4 pcs),  
2 pcs with brakes, plastic protecting bumpers

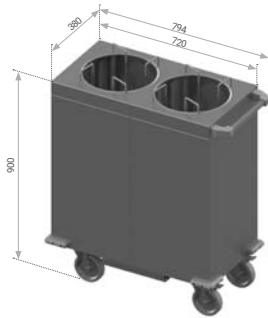


Easily removable back panel for spring adjustment



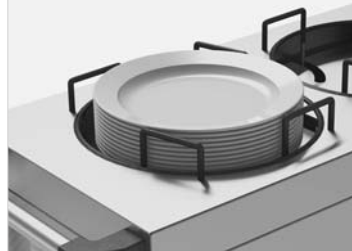
Ergonomic stainless steel handle

## NEUTRAL DISPENSER TROLLEY FOR PLATES



### STANDARD FEATURES

DESIGNED FOR PLATES  
(Ø 160 - 280 mm)



Waste tray



Self adjustable to weight of the plates

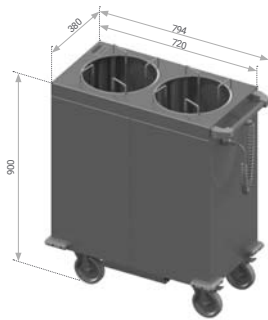


Set of galvanized wheels Ø125 mm (4 pcs),  
2 pcs with brakes, plastic protecting bumpers

*Different dimensions and configurations are available on request. Examples on page 8.46.*

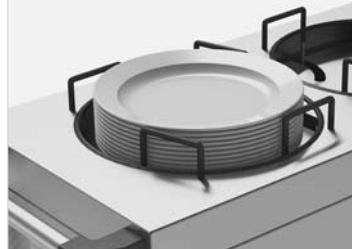
Model	Diameter of plates, mm	Amount of plates	Max load, kg
VTLD2-38/72/90	160 - 280	2 x 55	2 x 35

## HEATED DISPENSER TROLLEY FOR PLATES



### STANDARD FEATURES

DESIGNED FOR PLATES  
(Ø 160 - 280 mm)



Waste tray



Self adjustable to weight of the plates



Set of galvanized wheels Ø125 mm (4 pcs),  
2 pcs with brakes, plastic protecting bumpers



Easy-to-clean digital controller with adjustable temperature (+30 ... +85 °C)



Double-wall construction with thermal insulation

*Different dimensions and configurations are available on request. Examples on page 8.46.*

Model	Diameter of plates, mm	Amount of plates	Max load, kg	Temperature, °C	Input	Power
VTLW2-38/72/90	160 - 280	2 x 55	2 x 35	+30 ... +85	8,7 A	2000 W

## HEATED DROP-IN SOUP WELL



### STANDARD FEATURES



Remote control and removable well



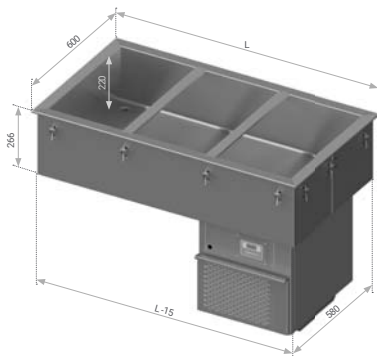
Adjustable temperature

*†* Different dimensions and configurations are available on request. Examples on page 8.46.

CE

Model	Height (mm)	Diameter (mm)	Cut out Ø (mm)	Capacity (l)	Input	Power
KETS	410	312	280	10	1.5 A	350 W

## DROP-IN STATIC COOLING COLD BASIN

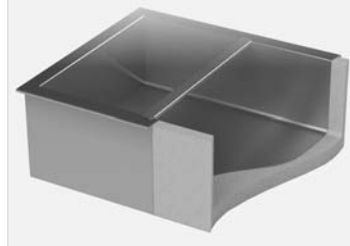


*i* Different dimensions and configurations are available on request. Examples on page 8.46.

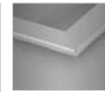
Length L, mm	Model	Cut out (mm)	Basin dimension	Temperature, °C	Input	Power
395	UCG1-40/60/56	380 x 580	1 GN1/1	+2 ... +8	1,6 A	360 W
740	UCG2-74/60/56	725 x 580	2 GN1/1	+2 ... +8	1,6 A	360 W
1080	UCG3-108/60/56	1065 x 580	3 GN1/1	+2 ... +8	2,3 A	530 W
1425	UCG4-143/60/56	1410 x 580	4 GN1/1	+2 ... +8	2,6 A	590 W

CE

### EFFICIENT THERMAL INSULATION CONSTRUCTION



### STANDARD FEATURES



DROP-IN (easily fits on table top)



Remote control  
Easy-to-clean digital controller with adjustable temperature (+2 ... +8 °C)

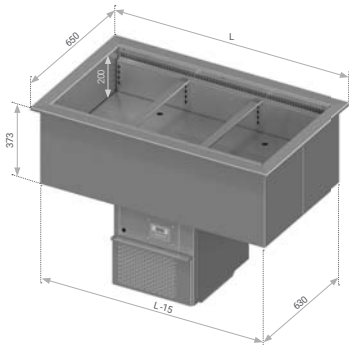


Drain valve (internal thread G1/2)

## DROP-IN VENTILATED COLD BASIN



NEW

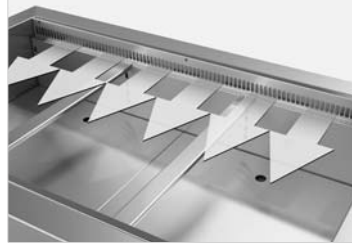


*f* Different dimensions and configurations are available on request. Examples on page 8.46.

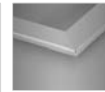
Length L, mm	Model	Cut out (mm)	Basin dimension	Temperature, °C	Input	Power
495	UCGV1-50/65/37	490 x 630	1 GN1/1	+2 ... +8	1,5 A	341 W
740	UCGV2-74/65/37	725 x 630	2 GN1/1	+2 ... +8	2,9 A	663 W
1080	UCGV3-108/65/37	1065 x 630	3 GN1/1	+2 ... +8	3,7 A	854 W

CE

EFFECTIVE AIR DISTRIBUTION SYSTEM FOR UNIFORMITY OF TEMPERATURE



### STANDARD FEATURES



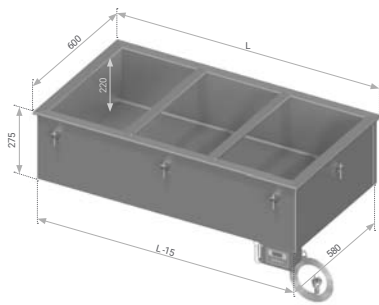
DROP-IN (easily fits on table top)



Remote control  
Easy-to-clean digital controller with adjustable temperature (+2 ... +8 °C)



## DROP-IN BAIN MARIE BASIN

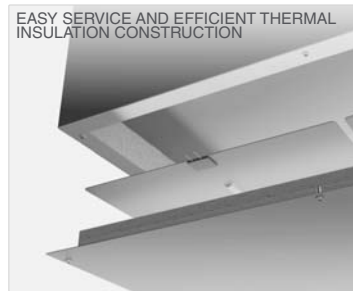


*f* Different dimensions and configurations are available on request. Examples on page 8.46.

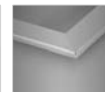
Length L, mm	Model	Cut out (mm)	Basin dimension	Temperature, °C	Input	Power
395	UWM1-40/60/28	380 x 580	1 GN1/1	+30 ... +85	3,3 A	750 W
740	UWM2-74/60/28	725 x 580	2 GN1/1	+30 ... +85	6,5 A	1500 W
1080	UWM3-108/60/28	1065 x 580	3 GN1/1	+30 ... +85	9,8 A	2250 W
1425	UWM4-143/60/28	1410 x 580	4 GN1/1	+30 ... +85	13 A	3000 W

CE

### STANDARD FEATURES



EASY SERVICE AND EFFICIENT THERMAL INSULATION CONSTRUCTION



DROP-IN (easily fits on table top)



Remote control  
Easy-to-clean digital controller with adjustable temperature (+30 ... +85 °C)



Drain valve (internal thread G1/2)

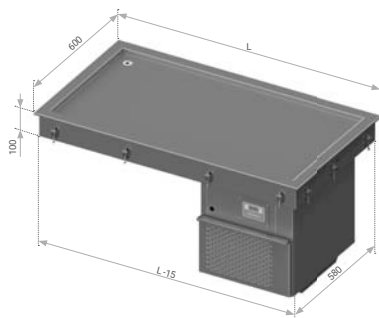
### OPTIONAL FEATURES



**Automatic water supply**

Code: Z-UWM-SUPPLY

## DROP-IN COLD SURFACE



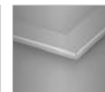
*f* Different dimensions and configurations are available on request. Examples on page 8.46.

Length L, mm	Model	Cut out (mm)	Surface dimension	Temperature, °C	Input	Power
395	UCP1-40/60/37	380 x 580	1 GN1/1	-5	1,6 A	360 W
740	UCP2-74/60/37	725 x 580	2 GN1/1	-5	1,6 A	360 W
1080	UCP3-108/60/37	1065 x 580	3 GN1/1	-5	2,3 A	530 W
1425	UCP4-142/60/37	1410 x 580	4 GN1/1	-5	2,6 A	590 W
1765	UCP5-177/60/37	1750 x 580	5 GN1/1	-5	2,6 A	590 W
2105	UCP6-210/60/37	2090 x 580	6 GN1/1	-5	3,1 A	661 W

CE

### STANDARD FEATURES

EFFICIENT COOLING SYSTEM, FROSTED SURFACE WITH TEMPERATURE -5 °C



DROP-IN (easily fits on table top)

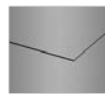


Remote control  
Easy-to-clean digital controller with adjustable temperature (down to -5 °C)



Drain valve (internal thread G1/2)

### OPTIONAL FEATURES



**BUILT-IN (flush with the table top)**

Code: Z-UCP-FLUSH

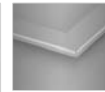
## DROP-IN HEATED SURFACE



### STANDARD FEATURES



EASY SERVICE AND EFFICIENT THERMAL INSULATION CONSTRUCTION



DROP-IN (easily fits on table top)



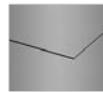
Remote control  
Easy-to-clean digital controller with adjustable temperature (+30 ... +85 °C)

*f* Different dimensions and configurations are available on request. Examples on page 8.46.

CE

Length L, mm	Model	Cut out (mm)	Temperature, °C	Input	Power
400	UWP1-40/60/14	320 x 520	+30 ... +85	3.3 A	730 W
500	UWP1-50/60/14	420 x 520	+30 ... +85	3.3 A	750 W
600	UWP1-60/60/14	520 x 520	+30 ... +85	3.3 A	750 W
700	UWP1-70/60/14	620 x 520	+30 ... +85	6.5 A	1500 W
800	UWP1-80/60/14	720 x 520	+30 ... +85	6.5 A	1500 W
900	UWP1-90/60/14	820 x 520	+30 ... +85	6.5 A	1500 W
1000	UWP1-100/60/14	920 x 520	+30 ... +85	9.8 A	2250 W
1100	UWP1-110/60/14	1020 x 520	+30 ... +85	9.8 A	2250 W
1200	UWP1-120/60/14	1120 x 520	+30 ... +85	9.8 A	2250 W
1300	UWP1-130/60/14	1220 x 520	+30 ... +85	13 A	3000 W
1400	UWP1-140/60/14	1320 x 520	+30 ... +85	13 A	3000 W
1500	UWP1-150/60/14	1420 x 520	+30 ... +85	13 A	3000 W

### OPTIONAL FEATURES



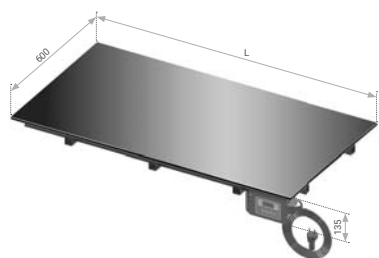
**BUILT-IN (flush with the table top)**

Code: Z-UWP-FLUSH

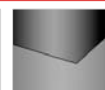
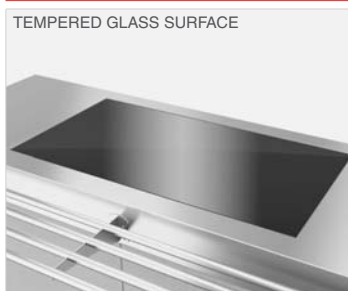
## BUILT-IN HEATED GLASS SURFACE



NEW



### STANDARD FEATURES



BUILT-IN (flush with the table top)

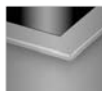


Remote control  
Easy-to-clean digital controller with adjustable temperature (+30 ... +85 °C)

*f* Different dimensions and configurations are available on request. Examples on page 8.46.

CE

### OPTIONAL FEATURES

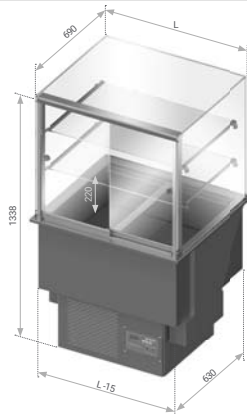


**DROP-IN (stainless steel frame)**

Code: Z-UWPS-FRAME

Length L, mm	Model	Temperature, °C	Input	Power
400	Z-UWPS1-40/60/14	+30 ... +85	3,3 A	750 W
500	Z-UWPS1-50/60/14	+30 ... +85	3,3 A	750 W
600	Z-UWPS1-60/60/14	+30 ... +85	3,3 A	750 W
700	Z-UWPS1-70/60/14	+30 ... +85	6,5 A	1500 W
800	Z-UWPS1-80/60/14	+30 ... +85	6,5 A	1500 W
900	Z-UWPS1-90/60/14	+30 ... +85	6,5 A	1500 W
1000	Z-UWPS1-100/60/14	+30 ... +85	9,8 A	2250 W
1100	Z-UWPS1-110/60/14	+30 ... +85	9,8 A	2250 W
1200	Z-UWPS1-120/60/14	+30 ... +85	9,8 A	2250 W
1300	Z-UWPS1-130/60/14	+30 ... +85	13 A	3000 W
1400	Z-UWPS1-140/60/14	+30 ... +85	13 A	3000 W
1500	Z-UWPS1-150/60/14	+30 ... +85	13 A	3000 W

## DROP-IN DISPLAY-COUNTER



Different dimensions and configurations are available on request. Examples on page 8.46.

Length L, mm	Model	Cut out (mm)	Basin dimension	Temperature, °C	Input	Power
775	UCV2-78/69/134	760 x 630	2 GN1/1	+2 ... +8	2,9 A	663 W
1115	UCV3-112/69/134	1110 x 630	3 GN1/1	+2 ... +8	3,7 A	854 W

### STANDARD FEATURES



TEMPERED GLASS  
(case 8 mm, shelves 6 mm, doors 5 mm)



LED lighting



Remote control (adjustable temperature +2 ... +8 °C)



Sliding doors on kitchen side



### OPTIONAL FEATURES



Front doors

Code: UCV-21.00 SB



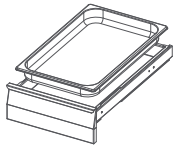
Sliding doors on both sides

Code: UCV-22.00 SB

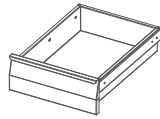
ADDITIONAL ACCESSORIES



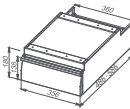
**DRAWERS**



Y-SGN (for GN 1/1, containers are not included)



Y-STP (plain)

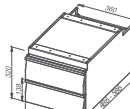


Single drawer: plain/frame for GN 1/1 container

Code: Y-STP1/Y-SGN1

Single drawer with closed back: plain/frame for GN 1/1 container

Code: Y-STPU1/Y-SGNU1

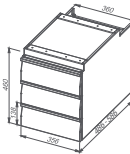


Double drawer block: plain/frame for GN 1/1 container

Code: Y-STP2/Y-SGN2

Double drawer block with closed back: plain/frame for GN 1/1 container

Code: Y-STPU2/Y-SGNU2



Triple drawer block: plain/frame for GN 1/1 container

Code: Y-STP3/Y-SGN3

Triple drawer block with closed back: plain/frame for GN 1/1 container

Code: Y-STPU3/Y-SGNU3



Quadruple drawer block: plain/frame for GN 1/1 container

Code: Y-STP4/Y-SGN4

Quadruple drawer block with closed back: plain/frame for GN 1/1 container

Code: Y-STPU4/Y-SGNU4

**STANDARD COLOUR LAMINATE - FORMICA**



F2255 Polar White K1040 Alpino F2296 Sno White F7938 Glacier F7927 Folkestone K1097 Citadel

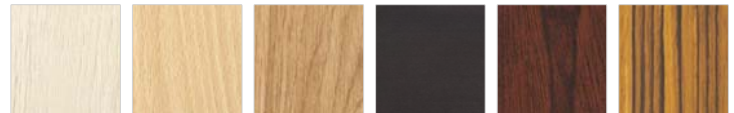


F7928 Mouse F7912 Storm F2297 Terril F2253 Diamond Black F7845 Spectrum Red K1394 Tahiti



F6907 Amarena K3210 Levante F7913 Indian Smoke F7433 Marina

**NON STANDARD WOOD LAMINATE - FORMICA**



F3188 Almond Oak F2726 Natural Beech F5374 Elegant Oak F1614 Punga Wood F7008 Acajou Mahogany F9011 Zebrano



F9012 Ebony F6210 Couture Wood

Other colours are also available

## TERMS AND CONDITIONS



### NOVAMETA STANDARD TERMS

#### Applicability

These Standard Terms ("Terms") apply to all products supplied directly by Novameta to its distributors.

#### Validity of quotations

Quotations are valid for 90 days unless otherwise explicitly stated in the individual quotation. Not responsible for misprints.

#### Delivery terms

Provided in the proforma invoice.  
In case of ex-works (INCOTERMS 2010) Novameta shall not be liable for delays and the distributor shall not be permitted to terminate the purchase due to delays unless agreed to in writing.

#### Payment terms

Provided in the proforma invoice.  
If a higher credit limit is necessary, security is mandatory. Novameta may reduce a credit limit at any time if considered appropriate by Novameta.

#### Storage terms

Provided in the proforma invoice.

#### Retention of Title

Novameta shall retain title in all products and components sold to the distributor until the distributor has paid for the products in full (including transportation and packaging costs).

#### Warranty terms

Novameta provides a Manufacturer's warranty for all of the equipment against defects in materials and workmanship for a period of 1 year from the date of invoicing of the defective product or component to the distributor. Manufacturer undertakes to replace all inferior parts to proper quality parts or materials. In case of a fault, a properly filled claim is required and must contain all essential information relative to the fault. Faulty parts shall be returned to Manufacturer for further inspection.

#### Extended warranty

The extended warranty is solely applicable to certain equipment (indicated in the price list). The extended warranty costs extra of the item's list price. Standard warranty terms apply.

#### Warranty exclusions and limitations of liability

The warranty in these Terms shall be the distributor's exclusive remedy for defective products and components towards Novameta. Novameta shall not be liable for any costs, expenses, losses or claims (whether direct, indirect, consequential or otherwise) relating to defective products or components unless otherwise explicitly stated herein or agreed in writing. Any expenses in connection with the installation or costs of making adjustments (including service procedures, travel time costs) on the equipment to comply with the supply at the point of installation are not covered by this warranty.  
The producer does not take any responsibility for damages that occur due to ignorance of cautions, improper maintenance or mechanical damages of the unit, including those, caused during the delivery. This warranty is not effective if damage occurs from improper installation, misuse, incorrect voltage supply, wear and tear from normal usage, accidental breakage, damage or if the equipment is operated contrary to the user instructions. The warranty does not cover if the damage occurs due to natural disasters, fire, if repair service was made by unauthorized person.  
In case of a failure not covered by the warranty, we provide a possibility to purchase spare parts.

### NOVAMETA STANDARD TERMS

#### Procedure for repair or replacement under the warranty

The distributor shall, at its own costs, make all reasonable attempts to repair any defective component or product.

If such repair is not possible for the distributor, the distributor shall contact Novameta in writing immediately (within 3 working days) upon suspicion of any defects that may be covered by the warranty. If Novameta is not contacted immediately (within 3 working days) in such cases, the distributor shall have no remedies.  
Distributor's contact shall include specific information as to the suspected defect the relevant order number and a copy of the relevant invoice.

After timely receipt of the above, Novameta will decide if there is a defect, whether the claim is covered by the warranty, and whether the product or component is to be replaced.

In cases where Novameta decides to replace defective products or components with new ones, the distributor will be billed the full amount for the goods when they are sent. This amount will then be credited when the defective product or components is returned to Novameta and it is established that the defective product or component is covered by the warranty.  
With regard to the transport of products and components, Novameta will pay the freight of new or repaired products and components, while the distributor will pay the freight for defective goods that are returned (and any other costs related to the return of the goods). The warranty does not cover expenses of the service procedures performed. Novameta does not provide service.

Unless otherwise agreed in writing, the defective product or component should always be returned to Novameta: Draugystės g. 15D, LT-51227 Kaunas, Lithuania.

#### Cancellations

If an order cancellation request is made after confirmation of drawing and proforma invoice, adjustments are not possible and production cannot be stopped. In case of cancellation product will be charged in full.

#### Shipping and packing

Novameta will pack products for shipment in Novameta standard packaging. If the distributor has other requirements as to packing, the distributor shall contact Novameta to make special arrangements.

#### Delivery recommendations

Upon receipt, inspect units immediately for any shipping damage and notify carrier immediately if damage is found. It must be reported immediately (upon delivery) in writing in the CMR. Otherwise neither the Manufacturer nor the carrier can take responsibility for transport damage. All items are thoroughly inspected and carefully packed before leaving our factory, thus Novameta cannot accept responsibility for any shipping damage, however Novameta will assist in filing a claim.

#### Liability and Product liability

Novameta shall only be liable for defects and product liability to the extent set out herein (see particularly warranty terms). In addition to the aforesaid all liability is capped at the invoiced price of the defective product. All other liability is hereby excluded.

#### Choice of law and Venue

These Terms and the cooperation between Novameta and its distributors, including any disputes relating thereto, shall be governed by Lithuanian law.  
Any disputes shall be settled before the Lithuanian courts, which shall have exclusive jurisdiction.

Company No. 235886490, VAT Reg. No. LT 358864917  
Reg. No. 048959, Centre of Registers  
IBAN: LT227300010071982293, Swedbank, AB

REFERENCES AND EXAMPLES OF CUSTOMISED EQUIPMENT



REFERENCES

COMPANY CANTEENS

- Booking.com Headquarters*  
Amsterdam, Netherlands
- Novo Nordisk Pharmaceutical Company*  
Bagsvaerd, Denmark
- Google Office*  
Copenhagen, Denmark
- Michael Kors Distribution Centre*  
Venlo, Netherlands
- Samsung Electronics Benelux Office*  
Amsterdam, Netherlands
- Nordea Bank Headquarters*  
Oslo, Norway
- ING Bank Office*  
Amsterdam, Netherlands
- Rabobank Bank*  
Eindhoven, Netherlands
- KLM Catering Services Office*  
Amsterdam, Netherlands



EDUCATIONAL INSTITUTIONS

- University of Wolverhampton*  
Wolverhampton, United Kingdom
- Copenhagen International School*  
Copenhagen, Denmark
- Farmen Barnehage Kindergarten*  
Levanger, Norway



HOTELS

- Ramada Resort Hadera Beach Hotel*  
Hadera, Israel
- Hilton Slussen Hotel*  
Stockholm, Sweden
- Kempinski Hotel Cathedral Square*  
Vilnius, Lithuania
- Thon Hotel Chain*  
Norway
- Tallink City Hotel*  
Tallinn, Estonia



LEISURE AND LARGE VENUES

- Royal Theatre Carré*  
Amsterdam, Netherlands
- LEGOLAND Amusement Park*  
Billund, Denmark
- The Well Spa Centre*  
Oslo, Norway



REFERENCES

RESTAURANTS AND BARS

- TGI Fridays Bar & Restaurant*  
Sweden
- Chateau Motel Nightclub*  
Copenhagen, Denmark
- Happy Italy Restaurants*  
Netherlands
- Milu Bar & Restaurant*  
The Hague, Netherlands
- Easy Wine Bar*  
Riga, Latvia
- Flammen Restaurants*  
Denmark
- Bierhuis Restaurant*  
Uppsala, Sweden
- Hotcha Restaurant*  
Liverpool, United Kingdom

GOVERNMENT & PUBLIC SERVICES

- Ministry of Economic Affairs*  
The Hague, Netherlands
- Embassy of Hungary*  
Stockholm, Sweden
- Statsfængslet Nordfalster Prison*  
Nordtalster, Denmark

HEALTHCARE

- Mare Klinikum Medical Diagnostic Centre*  
Kiel, Germany
- Wexham Park Hospital*  
Slough, United Kingdom
- Zaans Medical Centre*  
Zaandam, Netherlands
- Rikshospitalet Hospital*  
Oslo, Norway
- Syrenparken Psychiatric Hospital*  
Birkop, Denmark

SHOPS AND SUPERMARKETS

- ICA Supermarkets*  
Sweden
- IKEA Stores*  
Netherlands, Lithuania
- Coop Supermarkets*  
Norway
- Hema Supermarkets*  
Netherlands





#### DISHWASHING EQUIPMENT

Wide range of inlet and outlet tables to dishwasher and various customised solutions for sorting lines

#### PROFESSIONAL KITCHEN WORKTABLES

Huge variety of standard and customised worktables for creating an ergonomic and functional workspace for every chef

#### EXHAUST HOODS

Many different configurations of highly efficient hoods featuring cutting-edge technologies of cyclonic filtration, induction jets and laminar flow air supply

#### SHELVES AND CUPBOARDS

Numerous types of wall and upper shelves, wall cabinets, cupboards and shelving systems

#### TROLLEYS

More than 60 types of standard trolleys as well as many more customised variations

#### COOLING COUNTERS AND HEATED EQUIPMENT

More than 1000 models of standard cooling counters, different heated cupboards and upper shelves

#### BAR EQUIPMENT

Unlimited flexibility in unique coffee-station and bar solutions

#### OTHER TABLES AND STANDS

Different stands for all kinds of equipment, hand-wash basins and bakery or food processing tables with cutting boards

#### SERVING LINE EQUIPMENT

Various types of heating and cooling drop-in units, dispensers and shelving together with robust and elegant buffets and counters