

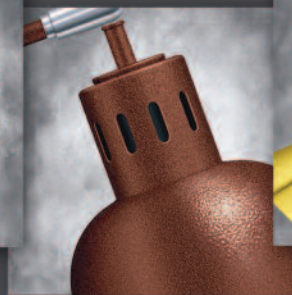
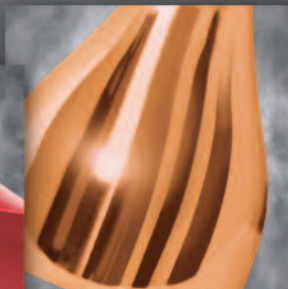


DECORATIVE LAMPS



[CHOICES]

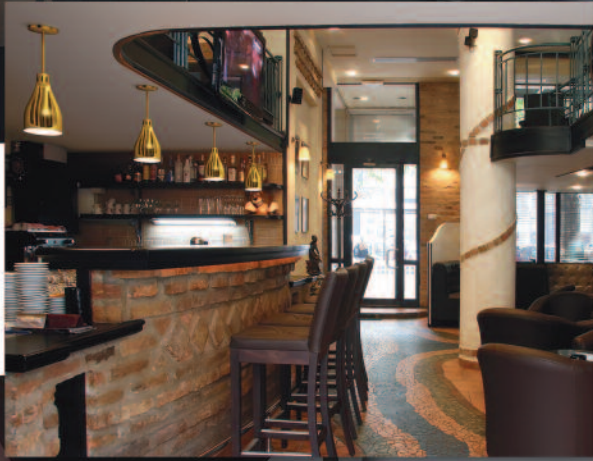
...THROUGH CUSTOMERIZATION



Unique Needs, Exact Solutions.

EXPERIENCE FUNCTION & FASHION

IN A WHOLE NEW LIGHT



DECORATIVE LAMPS/ LUMINAIRES

Now you can have the two-fold benefits of foodwarming and attractive presentation with Hatco Decorative Lamps. Versatile enough for any location, from pick-up station to buffet lines, the range of lights are available with a selection of personalizing choices – shade styles, colors, switch locations and mounting arrangements. Configurations for lighting (Luminaire) as well as foodwarming.

- Decorative Lamps available in nine shade styles
- Eight different mounting arrangements
- Four power switch options:
 - Upper (on canopy)
 - Lower (at stem)
 - Remote
 - None

800.558.0607
www.hatcocorp.com



There's no need to choose between aesthetics and function when it comes to equipping your location with Hatco Decorative Lamps. You'll find these trendy display lights are designed to serve you two different ways: To hold food warm in serving areas, or to stylishly complement your décor in lighting applications. One cost-effective product, two flexible functions. The choice is yours.

DESIGNER COLORS



GLOSS FINISHES



PLATED FINISHES



*Special processing and extended lead times required.



Now you can develop your own Hatco Decorative Lamp solutions with our online lamp configurator.

Visit www.hatcocorp.com and click on "Build a Lamp" to get started.

Various cord lengths available, starting at 17" (432 mm) to desired length; Rigid Stem Mounts range from 17" to 71" (432-1803 mm).

Black cord standard, optional in white or rigid stem (in unit color except for Radiant Red, Brilliant Blue and Clear Brushed Metal Finish).

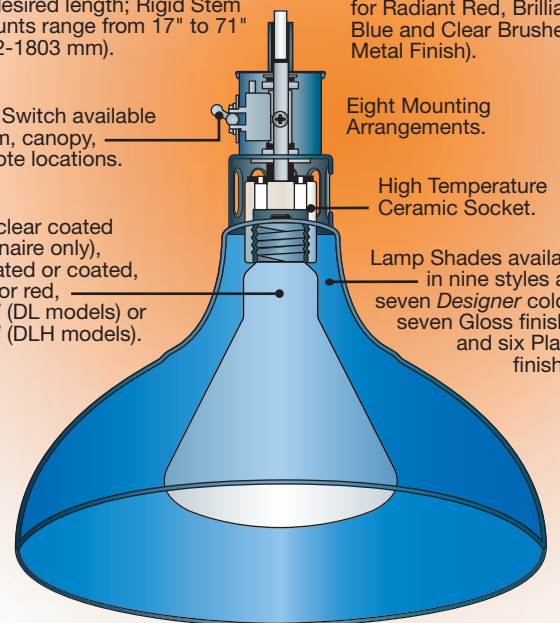
Toggle Switch available on stem, canopy, or remote locations.

Eight Mounting Arrangements.

60W clear coated (Luminaire only), uncoated or coated, clear or red, 250W (DL models) or 375W (DLH models).

High Temperature Ceramic Socket.

Lamp Shades available in nine styles and seven Designer colors, seven Gloss finishes and six Plated finishes.

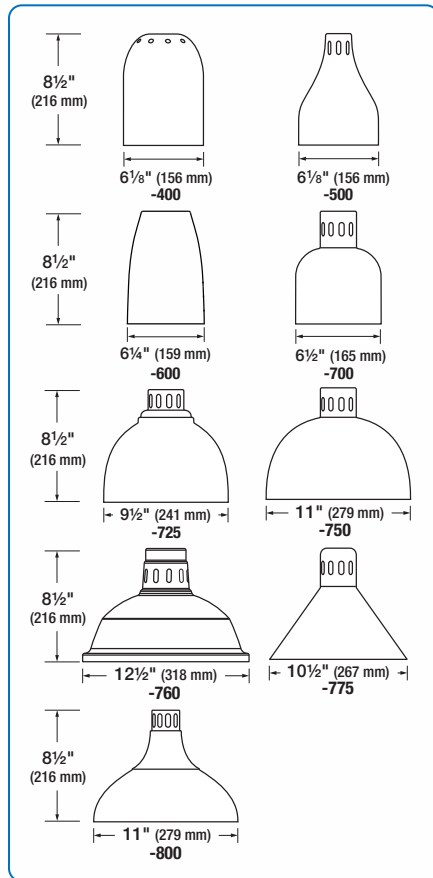


Unique Needs, Exact Solutions.

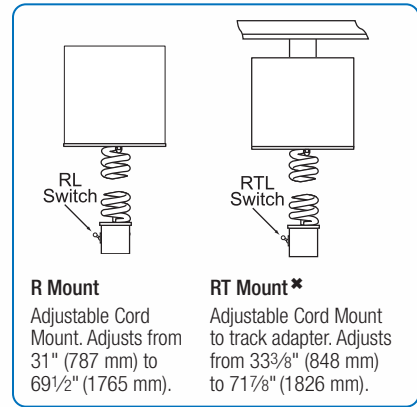
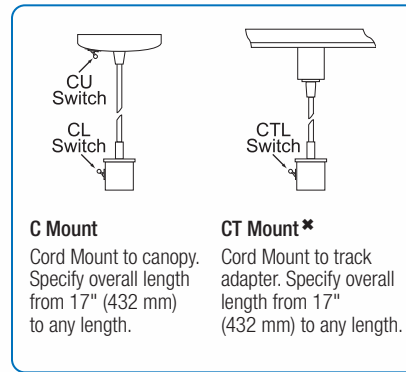


SPECIFICATIONS

SHADE STYLES

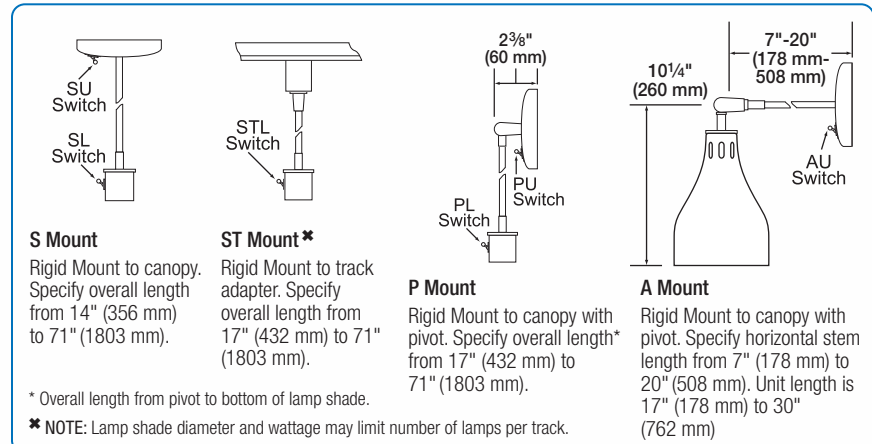


MOUNTING STYLES



Cord Mounted

Adjustable Cord Mounted



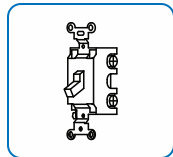
Rigid Stem Mounted (Knock down shipping on S and P units)

SWITCH LOCATIONS



Upper Switch

Lower Switch

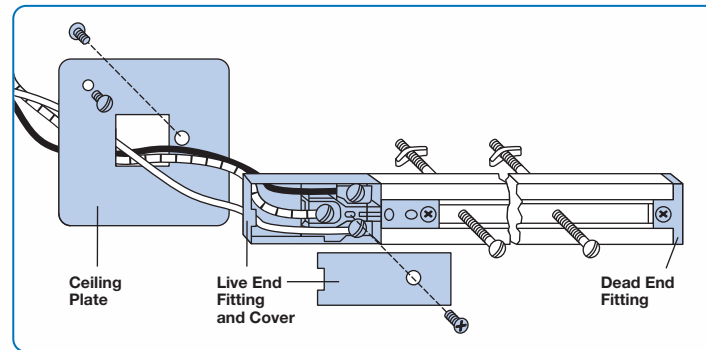


Remote Switch
(Accommodates 16 amps)

- U – Upper ▽~
- L – Lower ▽▼
- R – Remote ♦
- N – None (supplied by installer)

- ▽ Not available on high watt models.
- ~ Not available on track mounts or R mounting style.
- Not available on A mounting style.
- ♦ Up to seven 250W lamps, or five 375W lamps maximum per remote switch.

TRACK INSTALLATION AND MODIFICATION KIT - Highlighted Components (For Cutting Track Length into Multiple Sections)



"Customize" Your Hatco Decorative Lamps Even Further:

- **Luminaire option** for lighting only applications. 200W bulb maximum (not included).
- **High-watt models** available when extra heat is needed – 50% more wattage than the competition!
- Mix and match **nine lampshade styles** with any of **eight mounting options**.
- **Bulb choices:** 60W clear coated (Luminaire only), uncoated or coated, clear or red, 250W (DL models) or 375W (DLH models).

NOTE: Decorative Lamps and Luminaires are non-returnable.



Unique Needs, Exact Solutions.

At Hatco we look, listen, and bring our full experience to your operation. "Customization" is our brand promise...providing you with foodservice innovations that build your profits. That's Hatco, and that's always good for business. **Contact us today for all of your foodservice equipment needs.**

Nothing less than the best.™
P.O. Box 340500
Milwaukee, WI 53234-0500 U.S.A.
(800) 558-0607 (414) 671-6350
www.hatcocorp.com
E-mail: equipsales@hatcocorp.com

