



# 2018



## TROLLEYS CATALOGUE

373 81 Kamenný Újezd  
Zemědělská 500, Czechia  
sales@gastro.cz

**GASTRO PRODUCTION**  
[www.gastro.cz](http://www.gastro.cz)

0401 - Serving trolleys	3
0402 - GN trolleys	6
0403 - Trolleys for baskets	13
0404 - Baking trolleys	16
0405 - Trolleys for trays	20
0406 - Special trolleys	21

## Renders &amp; Drawings



## Configuration Table

Shelves	Handle	Wheels Dia.	Wheels hard.	Brakes	Load	Accessories	Accessories	Length	Width	Height								
1	1x	H1	With 1 handle	065	ø 65 mm	SS	Super soft	B	2 Wheels	L	Light	F	Upper frame	X	Without	Variable	Variable	Variable
2	2x	H2	With 2 handles	075	ø 75 mm	SP	Special	F	Fully braked	H	Heavy	X	Without					
3	3x	H0	No handles	100	ø 100 mm	ST	Standard	W	Without									
...				125	ø 125 mm													
n	n shelves			150	ø 150 mm													

## Configuration Example

Standard configuration example of cabinet.

**0401-3H2125SSBL-0530x1050x1070**

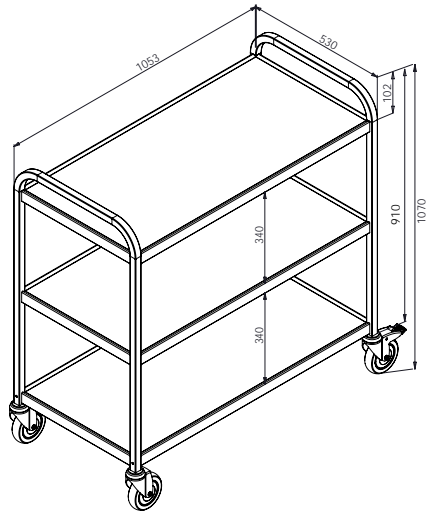
- 3 - Amount of shelves: 3x
- H2 - 2 handles
- 125 - Wheels Diameter: 125mm
- SS - Wheels hardness: Super soft
- B - Brakes: 2 wheels
- L - Load: light
- 0530x1050x1070 - Dimensions (Length x Width x Height)

## Standard products

Code	Description
0401-3H2125STBL	1905-3, 3x shelves, 2x handle - 125mm
0401-2H2125STBL	1905-2, 2x shelves, 2x handle - 125mm
0401-3H1125STBL	1904-3, 3x shelves, 1x handle - 125mm
0401-2H1125STBL	1904-2, 2x shelves, 1x handle - 125mm
0401-3H0100STBL	1903-3, 3x shelves - 100mm
0401-2H0100STBL	1903-2, 2x shelves - 100mm
0401-3H0125STBL	1902-3, 3x shelves - 125mm
0401-2H0125STBL	1902-2, 2x shelves - 125mm
<b>Supersoft wheels</b>	
0401-2H0150SSBL	1903-2, 150 mm supersoft wheels
0401-2H0125SSBL	1903-2, 125 mm supersoft wheels
0401-3H0150SSBL	1903-3, 150 mm supersoft wheels
0401-3H0125SSBL	1903-3, 125 mm supersoft wheels
0401-2H0150SSBL	1902-2, 2x shelves, ø 150 mm supersoft wheels
0401-2H0125SSBL	1902-2, 2x shelves, ø 125 mm supersoft wheels
0401-3H0150SSBL	1902-3, 3x shelves, ø 150 mm supersoft wheels
0401-2H0125SSBL	1902-3, 3x shelves, ø 125 mm supersoft wheels
0401-2H1150SSBL	1904-2, 2x shelves, 1x handle, ø 150 mm supersoft wheels
0401-2H1125SSBL	1904-2, 2x shelves, 1x handle, ø 125 mm supersoft wheels
0401-3H1150SSBL	1904-3, 3x shelves, 1x handle, ø 150 mm supersoft wheels
0401-3H1125SSBL	1904-3, 3x shelves, 1x handle, ø 125 mm supersoft wheels
0401-2H2150SSBL	1905-2, 2x shelves, 2x handle, ø 150 mm supersoft wheels
0401-2H2125SSBL	1905-2, 2x shelves, 2x handle, ø 125 mm supersoft wheels
0401-3H2150SSBL	1905-3, 3x shelves, 2x handle, ø 150 mm supersoft wheels
0401-3H2125SSBL	1905-3, 3x shelves, 2x handle, ø 125 mm supersoft wheels

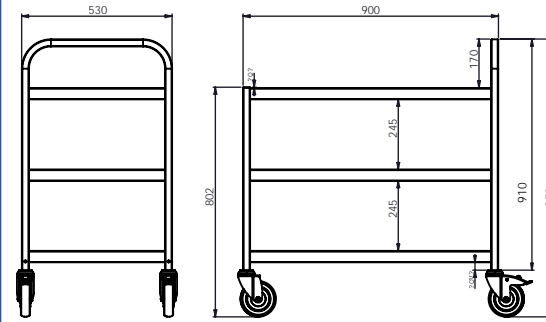
Serving trolley 1905-3

Code and Type		Length	Width	Height	Price
0401-3H2125STBL	1905-3, wheels ø125mm	1055	0530	1070	



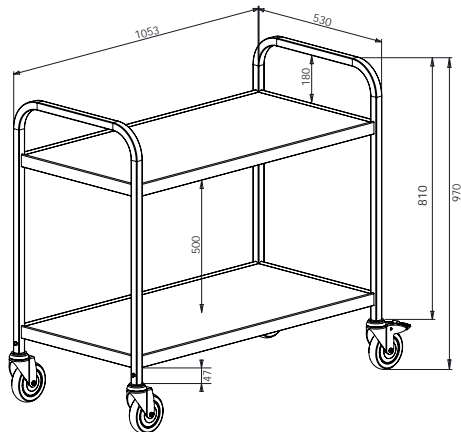
Serving trolley 1904-3

Code and Type		Length	Width	Height	Price
0401-3H1125STBL	1904-3, wheels ø125mm	1050	0530	0970	



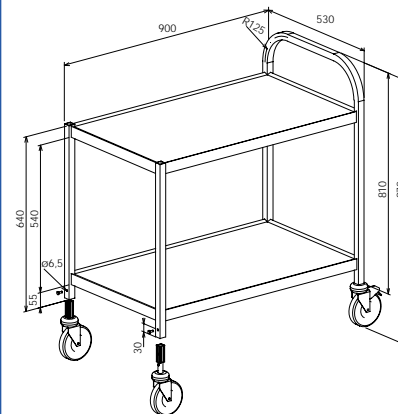
Serving trolley 1905-2

Code and Type		Length	Width	Height	Price
0401-2H2125STBL	1905-2, wheels ø 125mm	1050	0530	0970	



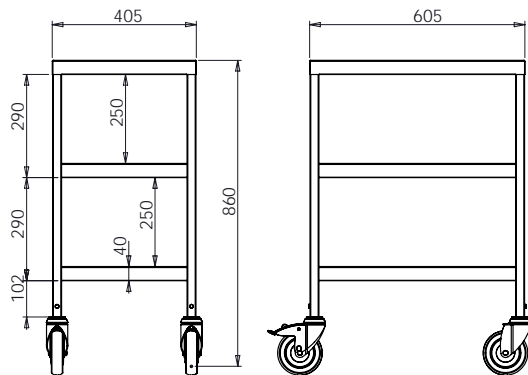
Serving trolley 1904-2

Code and Type		Length	Width	Height	Price
0401-2H1125STBL	1904-2, wheels SS ø125mm	0900	0530	0970	



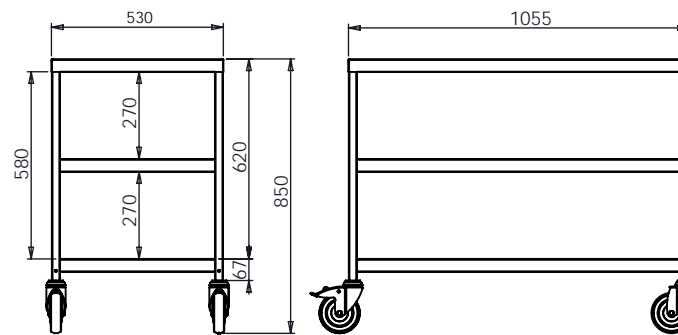
Serving trolley 1903-3

Code and Type		Length	Width	Height	Price
0401-3H0100STBL	1903-3, wheels ø100mm	0605	0405	0860	



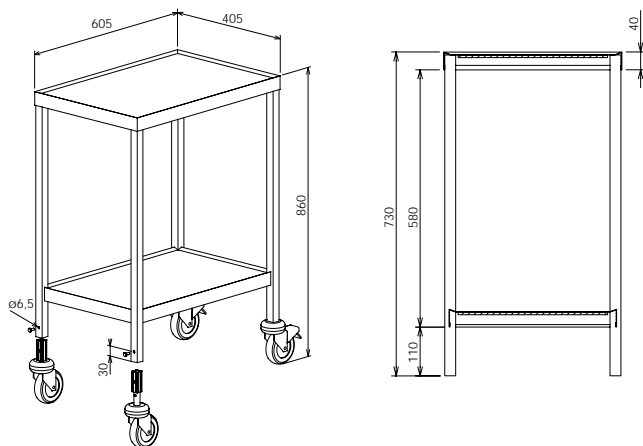
Serving trolley 1902-3

Code and Type		Length	Width	Height	Price
0401-3H0125STBL	1902-3, wheels ø125mm	1055	0530	0850	



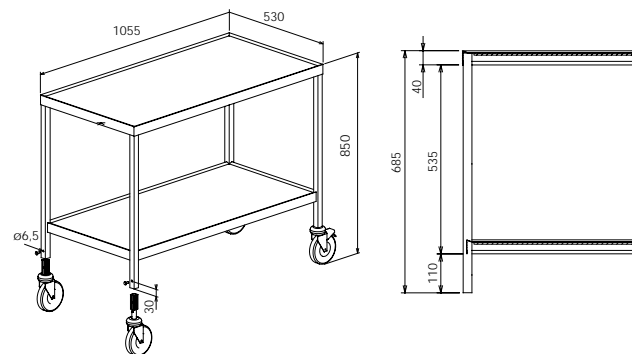
Serving trolley 1903-2

Code and Type		Length	Width	Height	Price
0401-2H0100STBL	1903-2, wheels ø100mm	0605	0405	0860	



Serving trolley 1902-2

Code and Type		Length	Width	Height	Price
0401-2H0125STBL	1902-2, wheels ø125mm	1055	0530	0850	



Renders & Drawings



Configuration Example

Standard configuration example of cabinet.  
**0402 - 10G11H1100STBL - 0530x1050x1070**

- 10 - Amount of shelves: 10x
- G11 - Type of GN: GN 1/1
- H - Construction: H
- 125 - Wheels Diameter: 125mm
- ST - Wheels Hardness: Standard
- B - Brakes: 2 wheels
- L - Load: light
- 0530x1050x1070 - Dimensions (Length x Width x Height)

Configuration Table

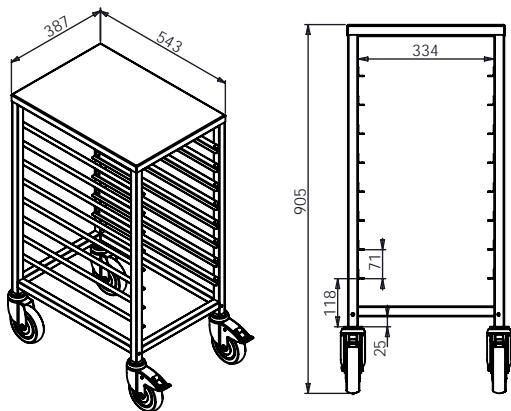
Amount GN	Type of GN	Construction	Wheels Dia.	Wheels Hard.	Brakes	Load	Accessories	Accessories	Length	Width	Height	
1	1x	G11 GN 1/1	H1 H Design	065 ø 65 mm	SS Supersoft	B 2 Wheels	L Light	C Cladding	X No acc.	Variable	Variable	Variable
2	2x	G13 GN 1/1+1/3	Z1 Z Design	075 ø 75 mm	SP Special	F Fully braked	H Heavy	B Barrier 1x	P Cover			
3	3x	G21 GN 2/1	C1 C design	100 ø 100 mm	ST Standard	W Without brakes		D Barrier 2x				
...			H2 H DUO design	125 ø 125 mm				P Cover				
n	n GN's		Z2 Z DUO design	150 ø 150 mm				X No acc.				
			C2 C DUO design									

Standard products

Code and Type	Description
0402-08G11C1125STBLP	GN 1906-8 SE-D 125mm wheels
0402-08G11Z1125STBL	GN 1906-8Z SE 125mm wheels
0402-18G11Z1125STBL	GN 1906-18Z SE 125mm wheels
0402-10G11H1100STBL	GN 1906-10H 100mm wheels
0402-10G11Z1100STBL	GN 1906-10Z 100mm wheels
0402-12G11Z1100STBL	GN 1906-12Z 100mm wheels
0402-12G11H1100STBL	GN 1906-12H 100mm wheels
0402-14G11H1100STBL	GN 1906-14H 100mm wheels
0402-14G11Z1100STBL	GN 1906-14Z 100mm wheels
0402-16G11H1100STBL	GN 1906-16H 100mm wheels
0402-16G11Z1100STBL	GN 1906-16Z 100mm wheels
0402-18G11H1100STBL	GN 1906-18H 100mm wheels
0402-18G11Z1100STBL	GN 1906-18Z 100mm wheels
0402-20G11H1100STBL	GN 1922-20H 100mm wheels
0402-20G11Z1100STBL	GN 1922-20Z 100mm wheels
0402-10G21H1100STBL	GN 1926-10H 100mm wheels
0402-12G21H1100STBL	GN 1926-12H 100mm wheels
0402-18G21H1100STBL	GN 1926-18H 100mm wheels
0402-18G21Z1100STBL	GN 1926-18Z 100mm wheels
0402-12G21Z1100STBL	GN 1926-12Z 100mm wheels
0402-10G21Z1100STBL	GN 1926-10Z 100mm wheels
0402-18G11H2100STBL	GN 1906-18H DUO 100mm wheels

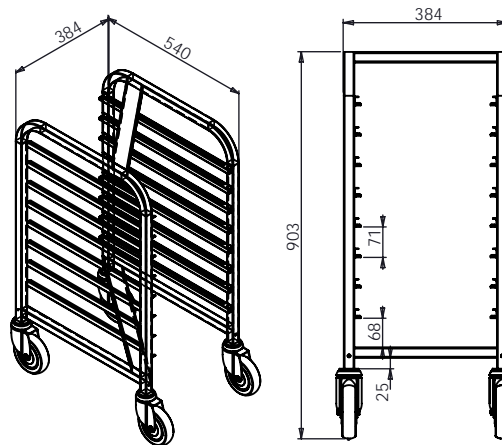
GN 1906-8 SE-D, 125mm wheels

Code and Type	X [mm]	Y [mm]	Z [mm]	Price
0402-08G11C1125STBLP GN 1906-8 SE-D	0384	0540	905	



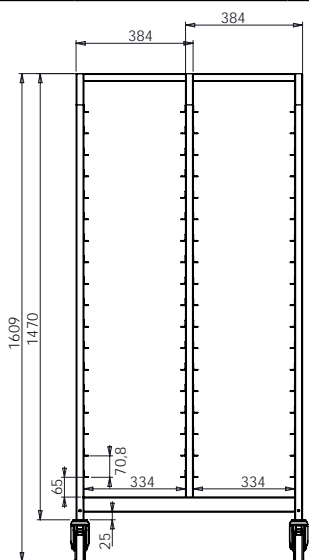
GN 1906-8Z SE, 125mm wheels

Code and Type	X [mm]	Y [mm]	Z [mm]	Price
0402-08G11Z1125STBL GN 1906-8Z SE	0384	0540	903	



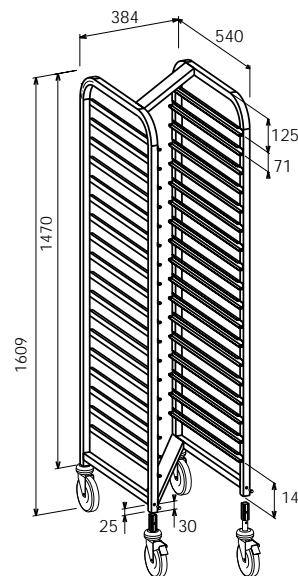
GN 1906-18H DUO, 100mm wheels

Code and Type	X [mm]	Y [mm]	Z [mm]	Price
0402-18G11H2100STBL GN 1906-18H DUO	0743	0540	1609	



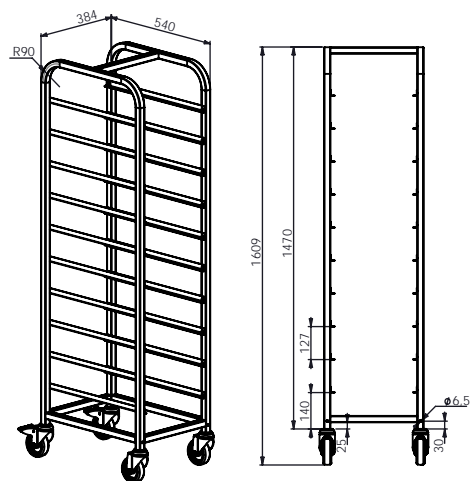
GN 1906-18Z SE, 125mm wheels

Code and Type	X [mm]	Y [mm]	Z [mm]	Price
0402-18G11Z1125STBL GN 1906-18Z SE	0384	0540	1609	



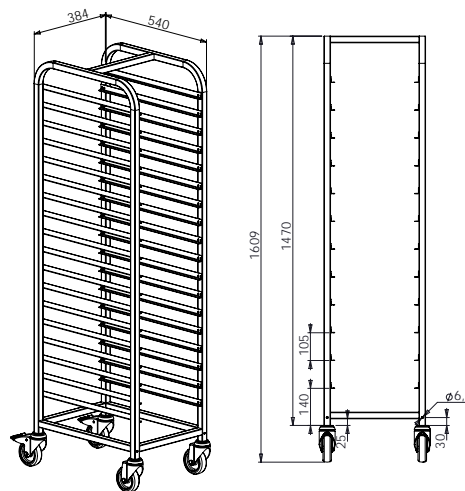
GN 1906-10H, 100mm wheels

Code and Type	X [mm]	Y [mm]	Z [mm]	Price
0402-10G11H1100STBL GN 1906-10H	0384	0540	1609	



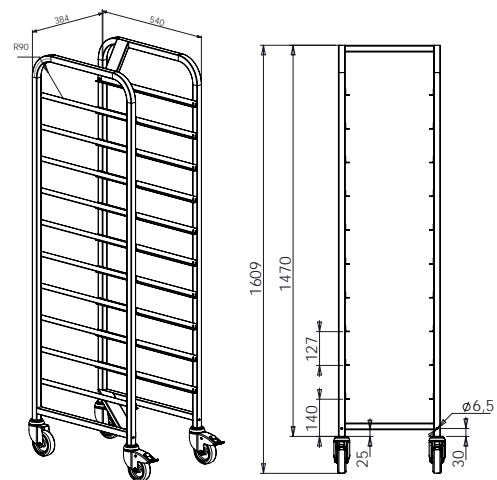
GN 1906-12H, 100mm wheels

Code and Type	X [mm]	Y [mm]	Z [mm]	Price
0402-12G11H1100STBL GN 1906-12H	0384	0540	1609	



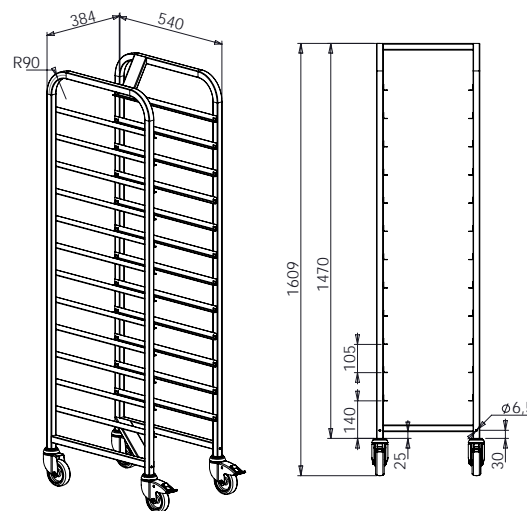
GN 1906-10Z, 100mm wheels

Code and Type	X [mm]	Y [mm]	Z [mm]	Price
0402-10G11Z1100STBL GN 1906-10Z	0384	0540	1609	



GN 1906-12Z, 100mm wheels

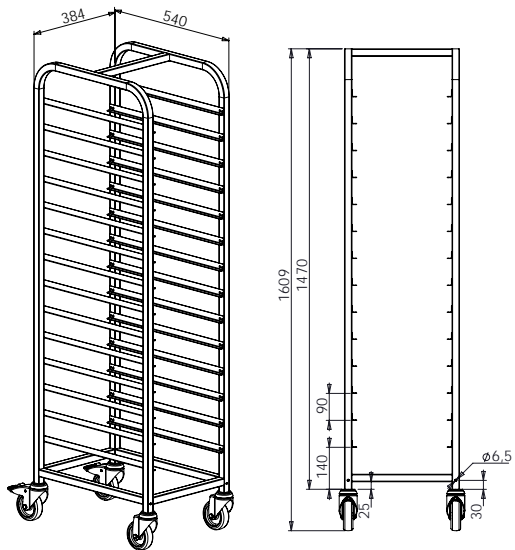
Code and Type	X [mm]	Y [mm]	Z [mm]	Price
0402-12G11Z1100STBL GN 1906-12Z	0384	0540	1609	





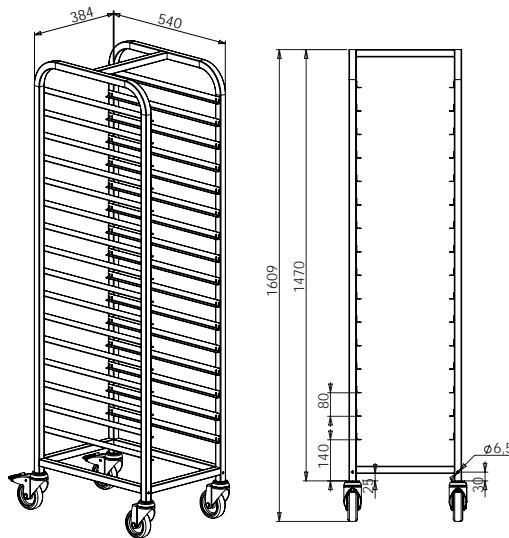
GN 1906-14H, 100mm wheels

Code and Type	X [mm]	Y [mm]	Z [mm]	Price
0402-14G11H1100STBL GN 1906-14H	0384	0540	1609	



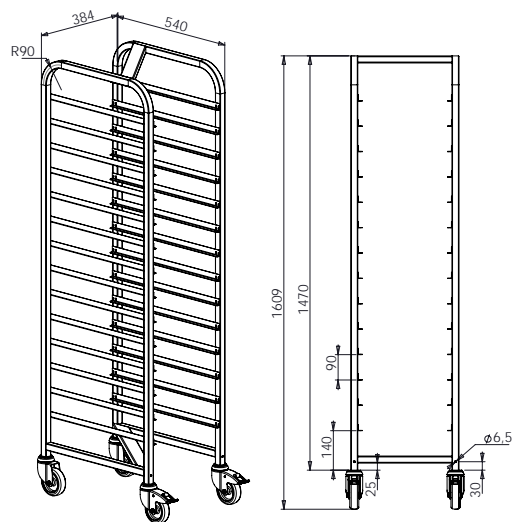
GN 1906-16H, 100mm wheels

Code and Type	X [mm]	Y [mm]	Z [mm]	Price
0402-16G11H1100STBL GN 1906-16H	0384	0540	1609	



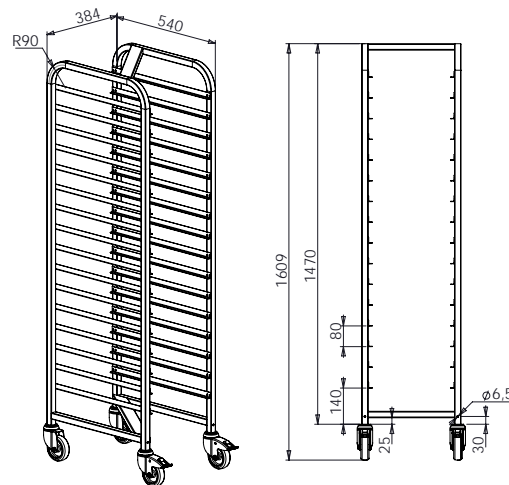
GN 1906-14Z, 100mm wheels

Code and Type	X [mm]	Y [mm]	Z [mm]	Price
0402-14G11Z1100STBL GN 1906-14Z	0384	0540	1609	



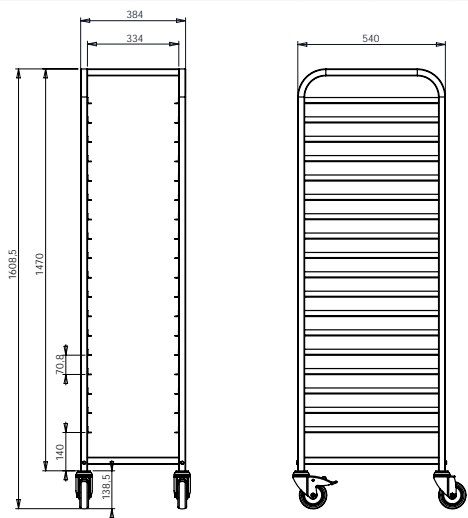
GN 1906-16Z, 100mm wheels

Code and Type	X [mm]	Y [mm]	Z [mm]	Price
0402-16G11Z1100STBL GN 1906-16Z	0384	0540	1609	



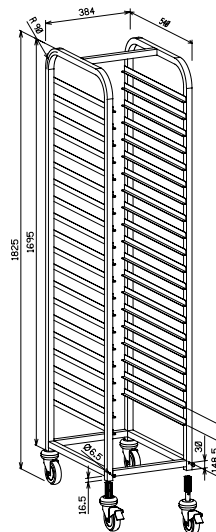
GN 1906-18H, 100mm wheels

Code and Type		X [mm]	Y [mm]	Z [mm]	Price
0402-18G11H1100STBL	GN 1906-18H	0384	0540	1609	
0402-18G11H1100STBLB	GN 1906-18H 1x barrier	0384	0540	1609	
0402-18G11H1100STBLD	GN 1906-18H 2x barrier	0384	0540	1609	



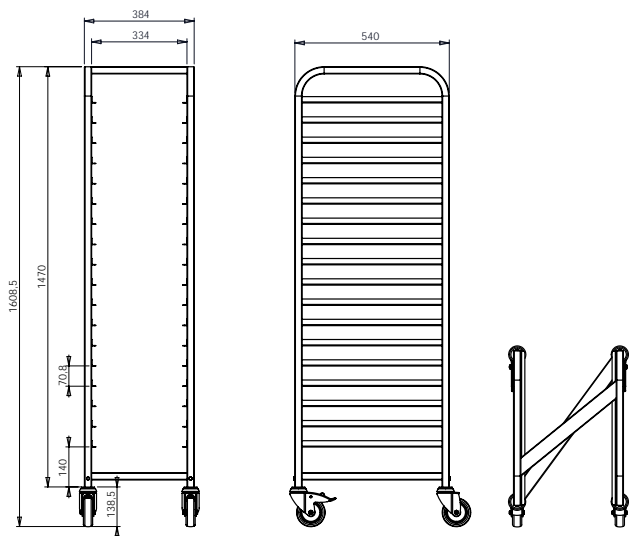
GN 1922-20H, 100mm wheels

Code and Type		X [mm]	Y [mm]	Z [mm]	Price
0402-20G11H1100STBL	GN 1922-20H	0384	0540	1825	



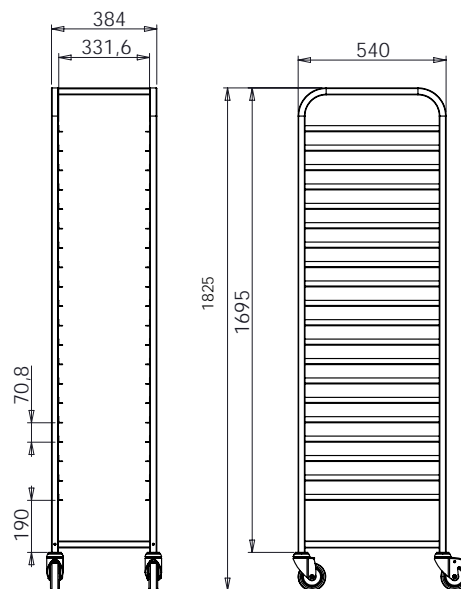
GN 1906-18Z, 100mm wheels

Code and Type		X [mm]	Y [mm]	Z [mm]	Price
0402-18G11Z1100STBL	GN 1906-18Z	0384	0540	1609	
0402-18G11Z1100STBLB	GN 1906-18Z 1x barrier	0384	0540	1609	
0402-18G11Z1100STBLD	GN 1906-18Z 2x barrier	0384	0540	1609	



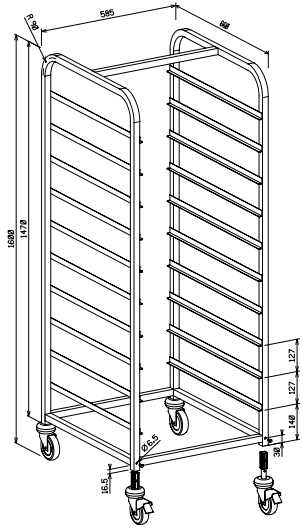
GN 1922-20Z, 100mm wheels

Code and Type		X [mm]	Y [mm]	Z [mm]	Price
0402-20G11Z1100STBL	GN 1922-20Z	0384	0540	1825	



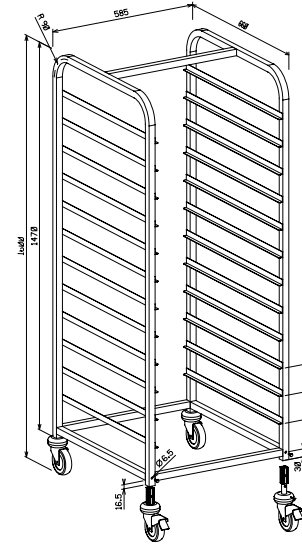
GN 1926-10H, 100mm wheels

Code and Type	X [mm]	Y [mm]	Z [mm]	Price
0402-10G21H1100STBL GN 1926-10H	0585	0660	1600	



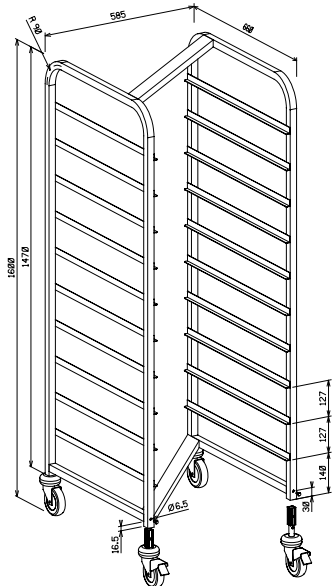
GN 1926-12H, 100mm wheels

Code and Type	X [mm]	Y [mm]	Z [mm]	Price
0402-12G21H1100STBL GN 1926-12H	0585	0660	1600	



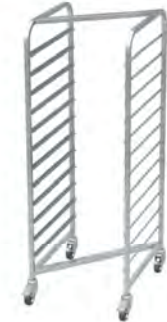
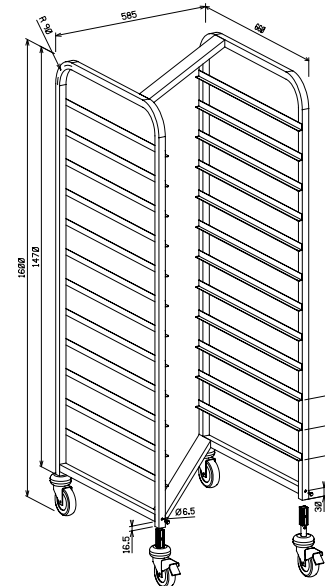
GN 1926-10Z, 100mm wheels

Code and Type	X [mm]	Y [mm]	Z [mm]	Price
0402-10G21Z1100STBL GN 1926-10Z	0585	0660	1600	



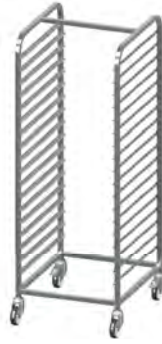
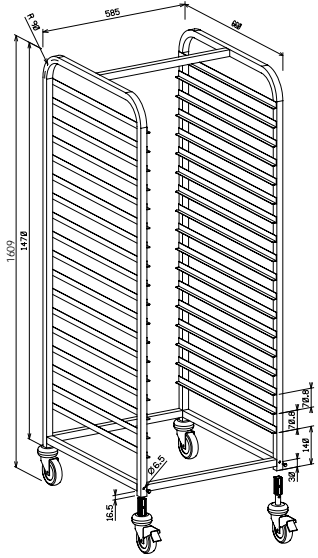
GN 1926-12Z, 100mm wheels

Code and Type	X [mm]	Y [mm]	Z [mm]	Price
0402-12G21Z1100STBL GN 1926-12Z	0585	0660	1600	



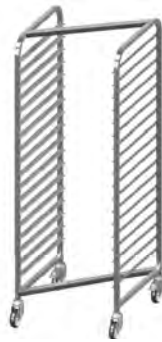
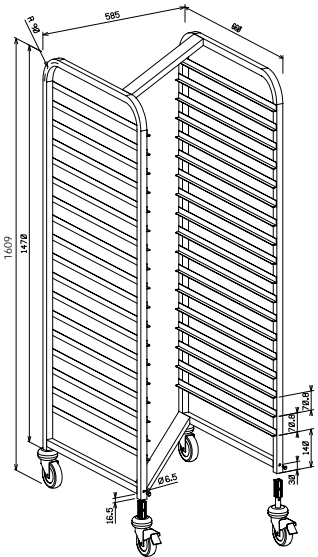
## GN 1926-18H, 100mm wheels

Code and Type	X [mm]	Y [mm]	Z [mm]	Price
0402-18G21H1100STBL GN 1926-18H	0585	0660	1609	



## GN 1926-18Z, 100mm wheels

Code and Type	X [mm]	Y [mm]	Z [mm]	Price
0402-18G21Z1100STBL GN 1926-18Z	0585	0660	1609	



## Renders &amp; Drawings



## Configuration Table

Amount of baskets	Construction	Wheels Dia.	Wheels Hard.	Brakes	Load	Accessories	Accessories	Length	Width	Height
1	1x H1 H design	065 ø 65 mm	SS Supersoft	B 2 Wheels	L Light	F Upper frame	F Upper frame	Variable	Variable	Variable
2	2x Z1 Z design	075 ø 75 mm	SP Special	F Fully braked	H Heavy	X Without acc.	X Without acc.			
3	3x S1 S design	100 ø 100 mm	ST Standard	W Without brakes						
...	H2 H duo design	125 ø 125 mm								
n	n baskets Z2 Z duo design	150 ø 150 mm								
	S2 S duo design									

## Configuration Example

Standard configuration example of cabinet.

**0403 - 3H1125STBL - 0530x1050x1070**

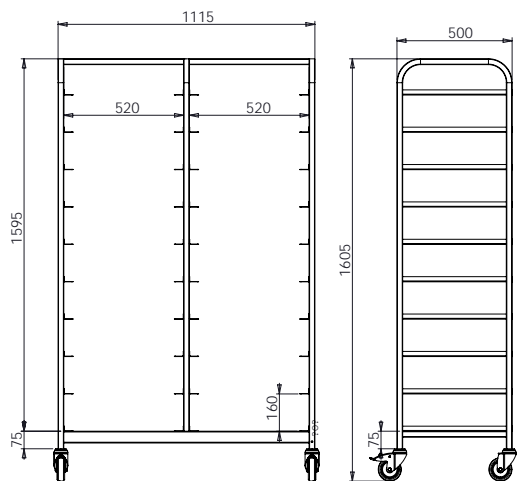
- 3 - Amount of baskets: 3
- H1 - Construction: H1
- 125 - Wheels Diameter: 125mm
- ST - Wheels Hardness: Standard
- B - Brakes: 2 wheels
- L - Load: light
- 0530x1050x1070 - Dimensions (Length x Width x Height)

## Standard products

Code and Type	Description
0403-10H2100STBL	1919-10 DUO 100mm wheels
0403-10H1100STBL	1919-10 H 100mm wheels
0403-05H1100STBL	1920-5 H 100mm wheels
0403-06H1100STBL	1920-6 H 100mm wheels
0403-08H1100STBL	1920-8 H 100mm wheels

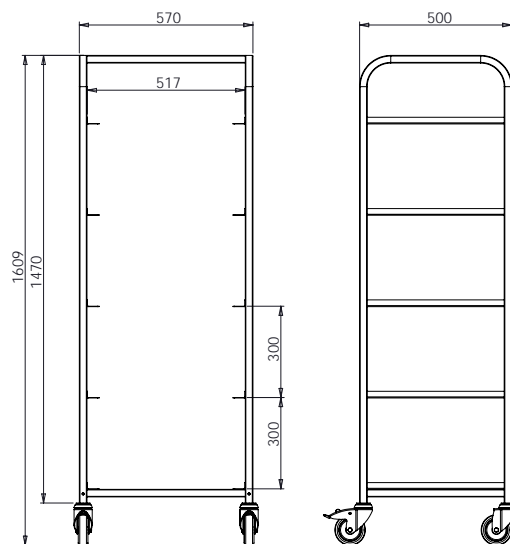
### 1919-10 DUO

Code and Type	Length	Width	Height	Price
0403-10H2100STBL 1919-10 DUO	1115	0500	1595	



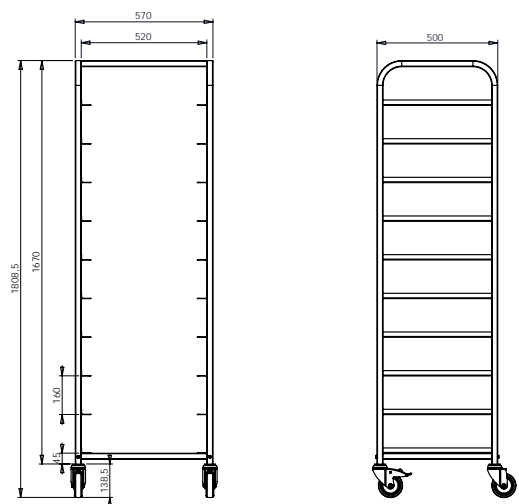
### 1920-5 H

Code and Type	Length	Width	Height	Price
0403-05H1100STBL 1920-5 H	0570	0500	1609	



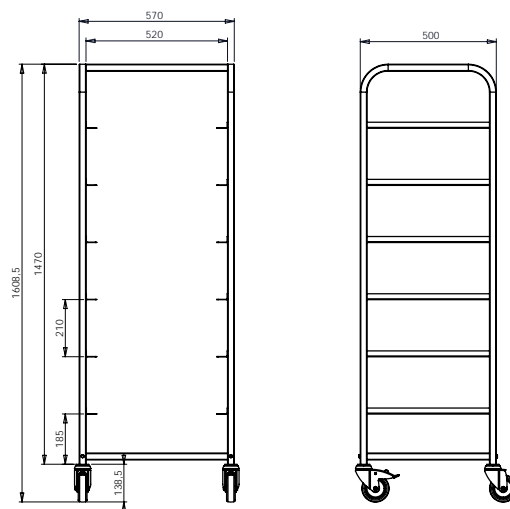
### 1919-10 H

Code and Type	Length	Width	Height	Price
0403-10H1100STBL 1919-10 H	0570	0500	1809	



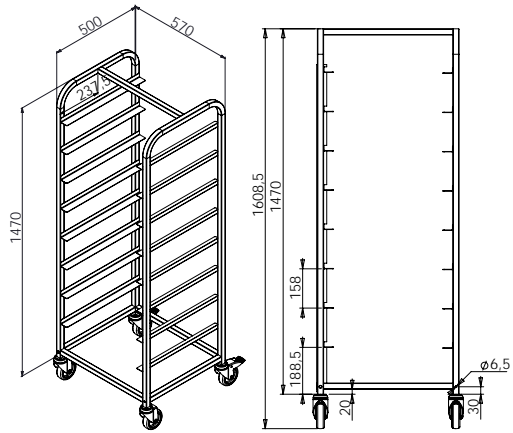
### 1920-6 H

Code and Type	Length	Width	Height	Price
0403-06H1100STBL 1920-6 H	0570	0500	1609	



## 1920-8 H

Code and Type	Length	Width	Height	Price
0403-08H1100STBL	1920-8 H	0570	0500	1609



Renders & Drawings



Configuration Table

Amount of plates	Construction	Oven type	Wheels Dia.	Wheels Hard.	Brakes	Load	Accessories	Length	Width	Height							
1 2 3 ...	H1 Z1 S1 H2 Z2 S2	H design Z design S design H duo design Z duo design S duo design	R B	Revent Bagoline	065 075 100 125 150	ø 65 mm ø 75 mm ø 100 mm ø 125 mm ø 150 mm	SS SP ST	Supersoft Special Standard	B F W	2 Wheels Fully braked Without brakes	L H	Light Heavy	X	Without	Variable	Variable	Variable

Configuration Example

Standard configuration example of cabinet.

**0404-3H1125STBL-0530x1050x1070**

- 3 - Amount of plates: 3
- H1 - Construction: H1
- 125 - Wheels Diameter: 125mm
- ST - Wheels Hardness: Standard
- B - Brakes: 2 wheels
- L - Load: light
- 0530x1050x1070 - Dimensions (Length x Width x Height)

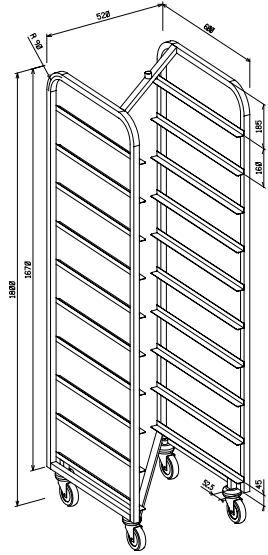
Standard products

Type		Description
0404-10ZR1100STBL	1909-10Z	100mm wheels
0404-12ZR1100STBL	1909-12Z	100mm wheels
0404-14ZR1100STBL	1909-14Z	100mm wheels
0404-16ZR1100STBL	1909-16Z	100mm wheels
0404-18ZR1100STBL	1909-18Z	100mm wheels
0404-40ZR1100STBL	1909-40Z	100mm wheels
0404-10ZB1100STBL	1918-10Z	100mm wheels
0404-12ZB1100STBL	1918-12Z	100mm wheels
0404-14ZB1100STBL	1918-14Z	100mm wheels
0404-16ZB1100STBL	1918-16Z	100mm wheels
0404-18ZB1100STBL	1918-18Z	100mm wheels
0404-40ZB1100STBL	1918-40Z	100mm wheels



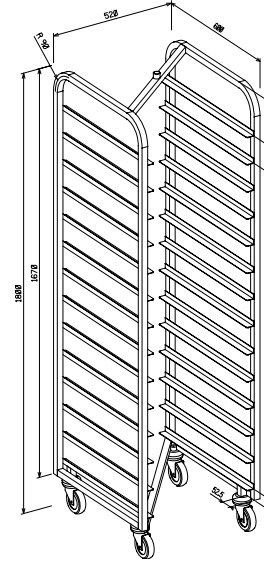
Baking trolley 1909-10Z

Code and Type	X [mm]	Y [mm]	Z [mm]	Price
0404-10ZR1100STBL 1909-10	0520	0600	1800	



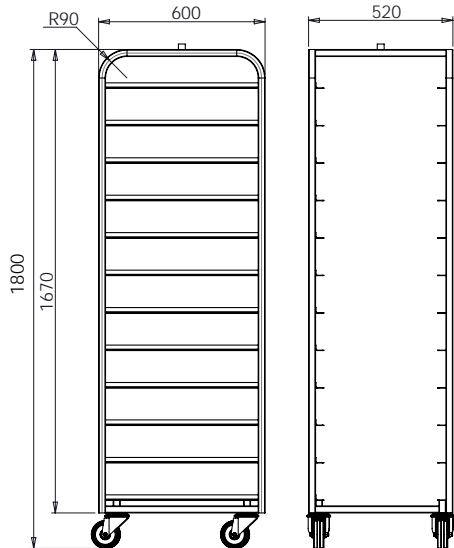
Baking trolley 1909-14Z

Code and Type	X [mm]	Y [mm]	Z [mm]	Price
0404-14ZR1100STBL 1909-14	0520	0600	1800	



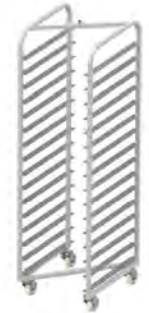
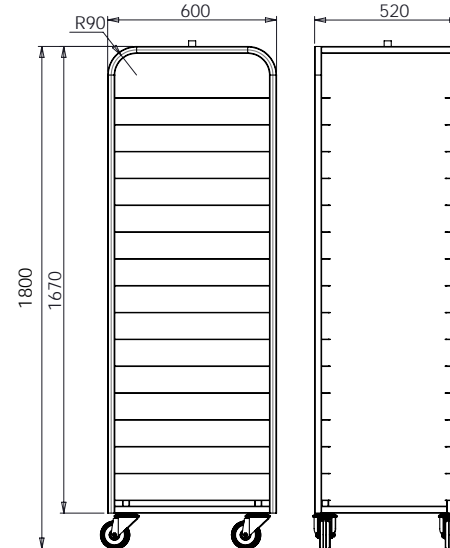
Baking trolley 1909-12Z

Code and Type	X [mm]	Y [mm]	Z [mm]	Price
0404-12ZR1100STBL 1909-12	0520	0600	1800	



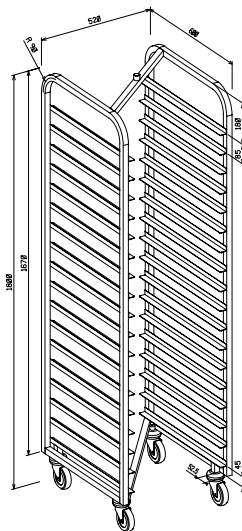
Baking trolley 1909-16Z

Code and Type	X [mm]	Y [mm]	Z [mm]	Price
0404-16ZR1100STBL 1909-16	0520	0600	1800	



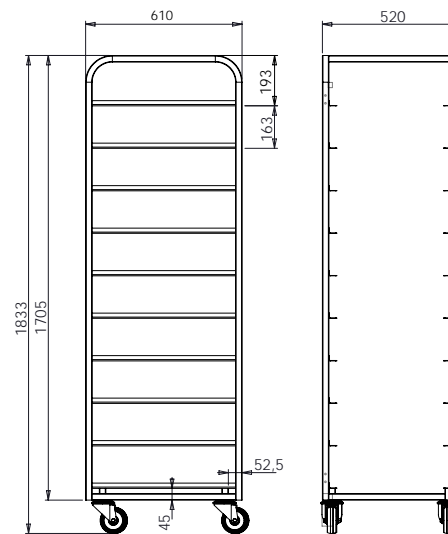
### Baking trolley 1909-18Z

Code and Type	X [mm]	Y [mm]	Z [mm]	Price
0404-18ZR1100STBL 1909-18	0520	0600	1800	



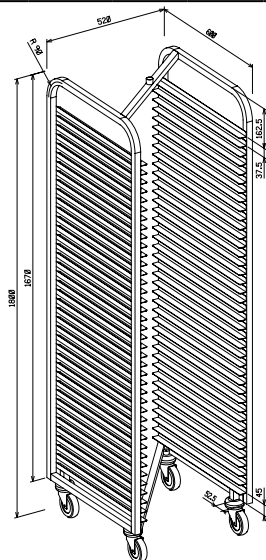
### Baking trolley 1918-10Z

Code and Type	X [mm]	Y [mm]	Z [mm]	Price
0404-10ZB1100STBL 1918-10	0520	0610	1833	



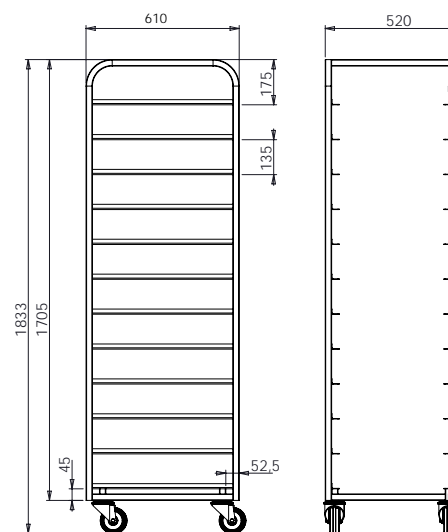
### Baking trolley 1909-40Z

Code and Type	X [mm]	Y [mm]	Z [mm]	Price
0404-40ZR1100STBL 1909-40	0520	0600	1800	



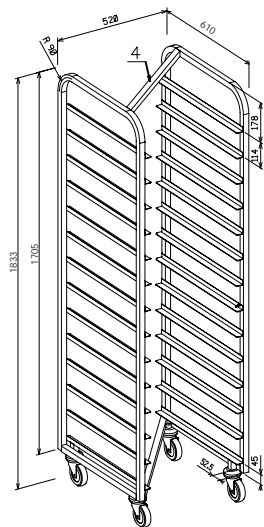
### Baking trolley 1918-12Z

Code and Type	X [mm]	Y [mm]	Z [mm]	Price
0404-10ZB1100STBL 1918-12	0520	0610	1833	



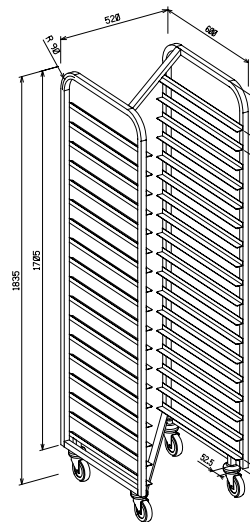
### Baking trolley 1918-14Z

Code and Type	X [mm]	Y [mm]	Z [mm]	Price
0404-14ZB1100STBL 1918-14	0520	0610	1833	



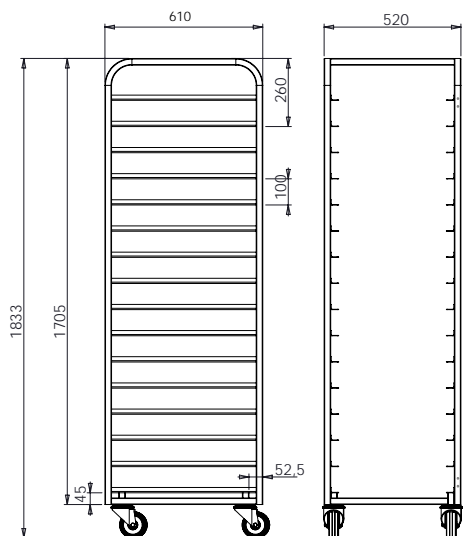
### Baking trolley 1918-18Z

Code and Type	X [mm]	Y [mm]	Z [mm]	Price
0404-18ZB1100STBL 1918-18Z	0520	0600	1835	



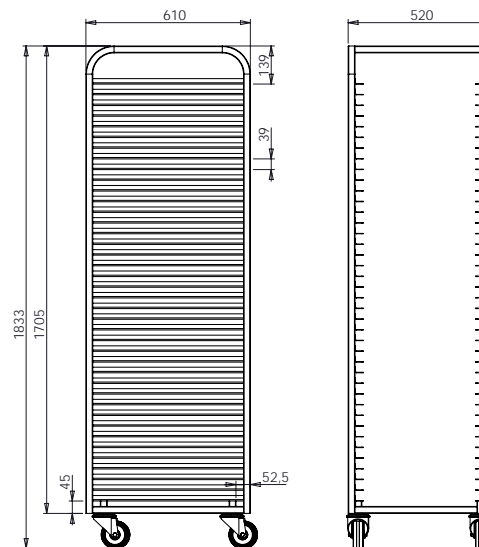
### Baking trolley 1918-16Z

Code and Type	X [mm]	Y [mm]	Z [mm]	Price
0404-16ZB1100STBL 1918-16	0520	0610	1833	



### Baking trolley 1918-40Z

Code and Type	X [mm]	Y [mm]	Z [mm]	Price
0404-40ZB1100STBL 1918-40	0520	0610	1833	



### Renders & Drawings



### Configuration Table

Amount of plates	Construction	Wheels Dia.	Wheels Hard.	Brakes	Load	Accessories	Length	Width	Height
1 1x	H1 H design	065 ø 65 mm	SS Supersoft	B 2 Wheels	L Light	X Without	Variable	Variable	Variable
2 2x	Z1 Z design	075 ø 75 mm	SP Special	F Fully braked	H Heavy				
3 3x	S1 S design	100 ø 100 mm	ST Standard	W Without brakes					
...	H2 H duo design	125 ø 125 mm							
n n plates	Z2 Z duo design	150 ø 150 mm							
	S2 S duo design								

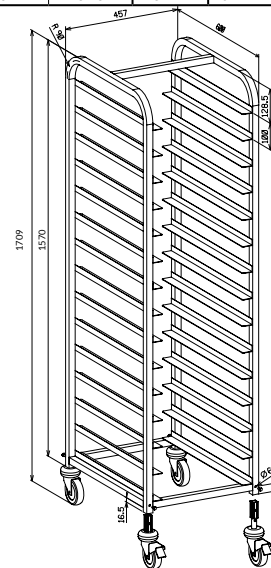
### Configuration Example

Standard configuration example of cabinet.  
**0405-3H1125STBL-0530x1050x1070**

- 3 - Amount of plates: 3
- H1 - Construction: H1
- 125 - Wheels Diameter: 125mm
- ST - Wheels Hardness: Standard
- B - Brakes: 2 wheels
- L - Load: light
- 0530x1050x1070 - Dimensions (Length x Width x Height)

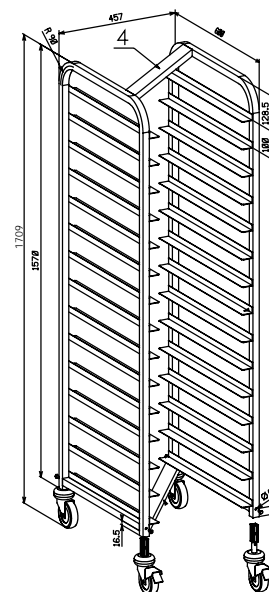
### Baking trolley 1913-15H

Code and Type	X [mm]	Y [mm]	Z [mm]	Price
0405-15H1100STBL 1913-15	0457	0600	1709	



### Baking trolley 1913-15Z

Code and Type	X [mm]	Y [mm]	Z [mm]	Price
0405-15Z1100STBL 1913-15Z	0457	0600	1709	



Renders & Drawings

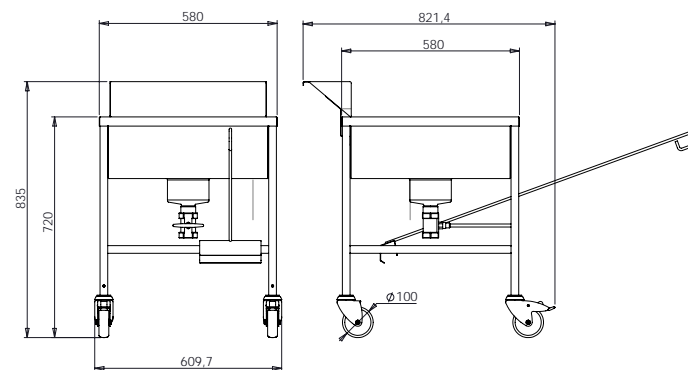


Standard products

Code and Type	Description
6SS01-2/08	1925 Trolley with shelves for 4 baskets - wheels 100mm
6SS10-2/08	1936 Transport trolley - wheels 125mm
6SS07-2/08	1941 Under coffe machine for 4 baskets - wheels 100mm
6SS08-2/08	1950 Trolley with 6 drawers for baskets - wheels 125mm
6SS09-2/08	1951 Trolley for trash and cutlery - wheels 125mm
6SS03-2/08	1929-4 Trolley for trays - wheels 100mm
6SS04-2/08	1929-5 Trolley for trays - wheels 100mm
30404-100-000	Trolley for trash - wheels 75mm
30404-101-000	Lowered trolley for trash - wheels 75mm
30404-200-000	Narrow trolley for trash - wheels 75mm
30404-201-000	Narrow lowered trolley for trash - wheels 75mm
30404-018-000	Trolley for cutlery - wheels 100mm
30404-022-000	Lowered trolley for cutlery - wheels 100mm (580x580x570)
0406-ICE-0400x0740x0750	Special trolley for ice cream
0406-ICE-0505x0755x0750	Special trolley for ice cream
6SS05-2/08	1930 For plates - wheels 125mm
30408-002-000	For trays - wheels 125mm
30408-001-000	For trays - wheels 125mm

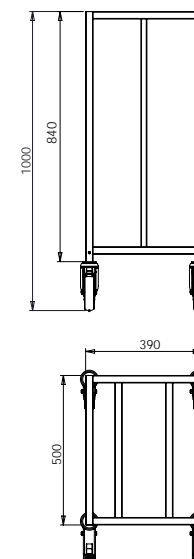
Special trolley for cutlery

Code and Type	X [mm]	Y [mm]	Z [mm]	Price	
0406-30404-018-000	I.classic	0580	0580	0720+0115	
0406-30404-022-000	II.lowered	0580	0580	0570+0115	



Special trolley for trays

Code and Type	X [mm]	Y [mm]	Z [mm]	Price	
0406-30408-001-000	I.classic	0390	0500	1000	
0406-30408-002-000	II.lowered	0390	0500	0850	

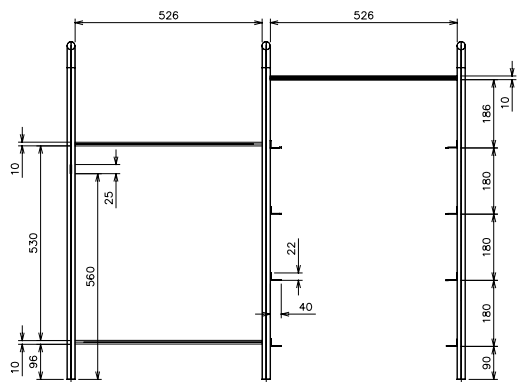






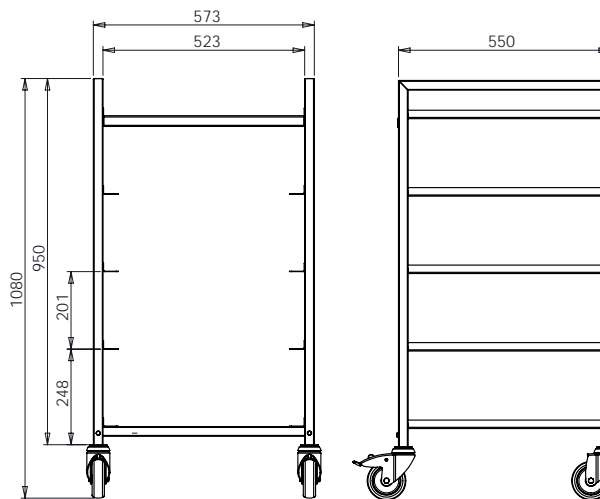
### Special trolley 1925

Code and Type	X [mm]	Y [mm]	Z [mm]	Price
0406-6SS01-2/08	1925	1118	0546	1050



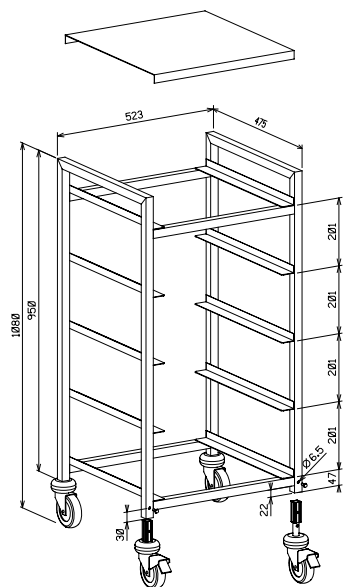
### Special trolley 1929-5

Code and Type	X [mm]	Y [mm]	Z [mm]	Price
0406-6SS04-2/08	1929-5	0573	0550	1080



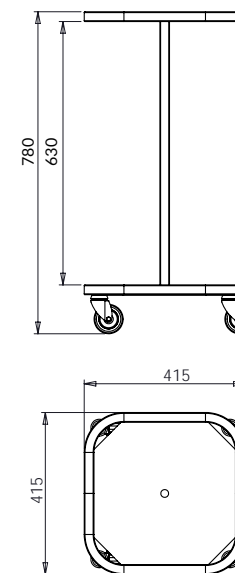
### Special trolley 1929-4

Code and Type	X [mm]	Y [mm]	Z [mm]	Price
0406-6SS03-2/08	1929-4	0523	0475	1080



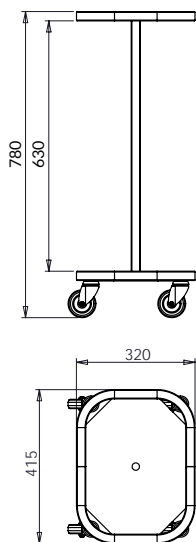
### Special trolley for trash

Code and Type	X [mm]	Y [mm]	Z [mm]	Price
0406-30404-100-000	0415	0415	0780	



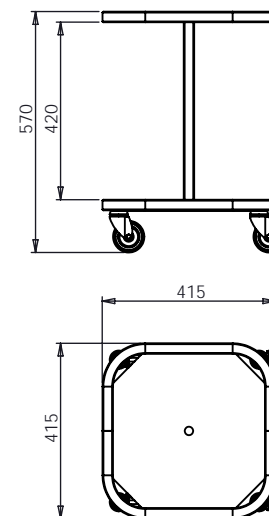
### Special narrow trolley for trash

Code and Type	X [mm]	Y [mm]	Z [mm]	Price
0406-30404-200-000	0320	0415	0780	



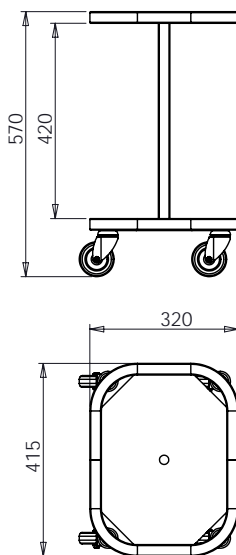
### Special lowered trolley for trash

Code and Type	X [mm]	Y [mm]	Z [mm]	Price
0406-30404-101-000	0415	0415	0570	



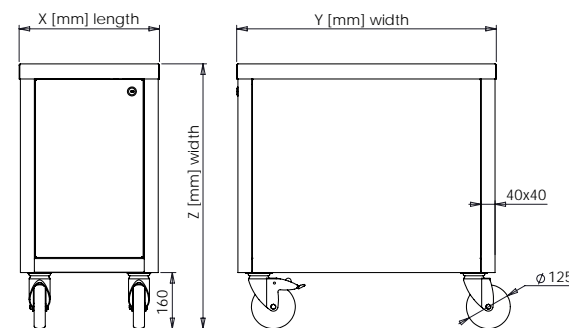
### Special narrow lowered trolley for trash

Code and Type	X [mm]	Y [mm]	Z [mm]	Price
0406-30404-201-000	0320	0415	0570	



### Special trolley for ice cream

Code and Type	X [mm]	Y [mm]	Z [mm]	Price
0406-ICE-0505x0755x0750	0505	0755	0750	
0406-ICE-0400x0740x0750	0400	0740	0750	







1. Neutral Equipment
2. Heating Technique
3. Cooling Technique
4. Trolleys

GASTRO PRODUCTION s.r.o.

# PRODUCT CATALOGUE 2018

ZEMEDELSKA 500,  
373 81, KAMENNY UJEZD  
CZECHIA

[www.gastro.cz](http://www.gastro.cz)