



CITROCASA
**FANTASTIC
ADVANCE★**



ENG

NEW

TWO BASIC MODELS FOR FOUR APPLICATIONS

PRESSING KIT FOR SMALLER FRUITS

INTELLIGENT STOP WHEN PEEL CONTAINER IS FULL

ADJUSTABLE BASE PLATE



CROSS HOLDER

MTS-MANUAL TRANSPORT SYSTEM

DOUBLE COVER

- ★ ABSOLUTE HYGIENE & SAFETY
- ★ ABSOLUTE TIME- & COST-SAVING

ADVANCE★LINE



DOUBLE COVER
The Double Cover is the back wall of the food unit that can also be removed and put into the dishwasher for absolute hygiene and huge time-saving.



CROSS HOLDER
The unique Cross Holder fastens 7 fixation points with 1 single screw. The juicer can be assembled and disassembled in a fraction of the time of any other juicer.



SCS UP & DOWN CUTTING SYSTEM
With the UP & DOWN motion of the blade the fruit will be cut perfectly. This prevents the tearing of the peel and therefore the contamination of the juice with bitter substances.



TRANSPORTSYSTEM (MTS)
The modern MTS (Manual-Transport-System) keeps the sieve free of seeds and pulp without removing it.



INTELLIGENT STOP
The acoustic signal sounds, and the machine stops automatically when the peel container is full. This prevents any „Peel-Jam“ of the juicer.



MODEL INTELLIGENCE
It is possible to individually adjust between staff-operated and self-serving models in both manual and automatic feeding versions.



LEMON KIT
The optional Lemon Kit enables to press fruits from 50 to 65 mm diameter.



ADJUSTABLE BASE PLATE
For easy installation as table top, counter top or cabinet model.



STAINLESS STEEL
All our machines are completely built up of high-quality stainless steel (Class I).

ABSOLUTE SAFETY DUE TO OUR 2-ZONE-TECHNOLOGY

[ENGINE ZONE] [FOOD ZONE]



Safety is our first priority.

The Two-Zone-Technology is built up of the Engine Zone and the Food-Zone. The complete distinction of these two machine components and the fact that the complete Food Zone can be removed and cleaned thoroughly guarantee absolute hygienic and operational safety.

[ENGINE ZONE]

The component that remains after the whole Food-Zone is detached from the machine.



[FOOD ZONE]

describes all components of the machine, including Double Cover (=back wall), that come in contact with the juice during operation. The whole Food-Zone can be removed from the machine and therefore cleaned thoroughly and according to existing food-standards all over the world. This guarantees absolute safety of the machine in terms of hygiene because no bacteria or germs stay behind.



CROSS HOLDER

Fastest disassembling and highest operational safety

DOUBLE COVER

Perceptible time saving and absolute hygiene



Simple, easy disassembly.

The unique Cross Holder fastens 7 fixation points with 1 single screw. The juicer can be assembled and disassembled in a fraction of the time of any other juicer.



TIME SAVING



PROFITABILITY



OPERATIONAL SAFETY



Fastest possible cleaning.

Citrocasa enables you to clean each and every part of the machine that comes in contact with the juice in the dishwasher at 95°C. Therefore absolutely no bacteria or germs remain on the juicer.



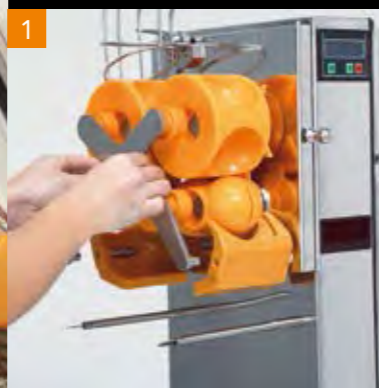
TIME SAVING



PROFITABILITY



HYGIENE



2-LEVEL-FEEDING-SYSTEM

Highest operational safety and hygiene

SCS UP & DOWN CUTTING SYSTEM

Absolute juice purity



It all revolves around efficiency.

The 2-Level-Feeding-Plate enables the machine to feed the oranges into the pressing unit without getting crushed even if the hopper is completely filled.



PROFITABILITY



OPERATIONAL SAFETY



Perfect cutting ensures ultimate juice purity.

Thanks to our SCS „Up & Down“ cutting system, the juice produced by the Fantastic is always completely pure. By cutting the fruit precisely, the SCS system avoids tearing the peel and thereby contaminating the juice with bitter substances. With 100% success. The end product is simply pure fruit goodness.



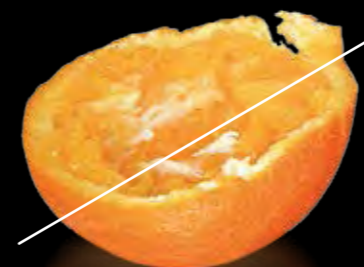
JUICE PURITY



HYGIENE



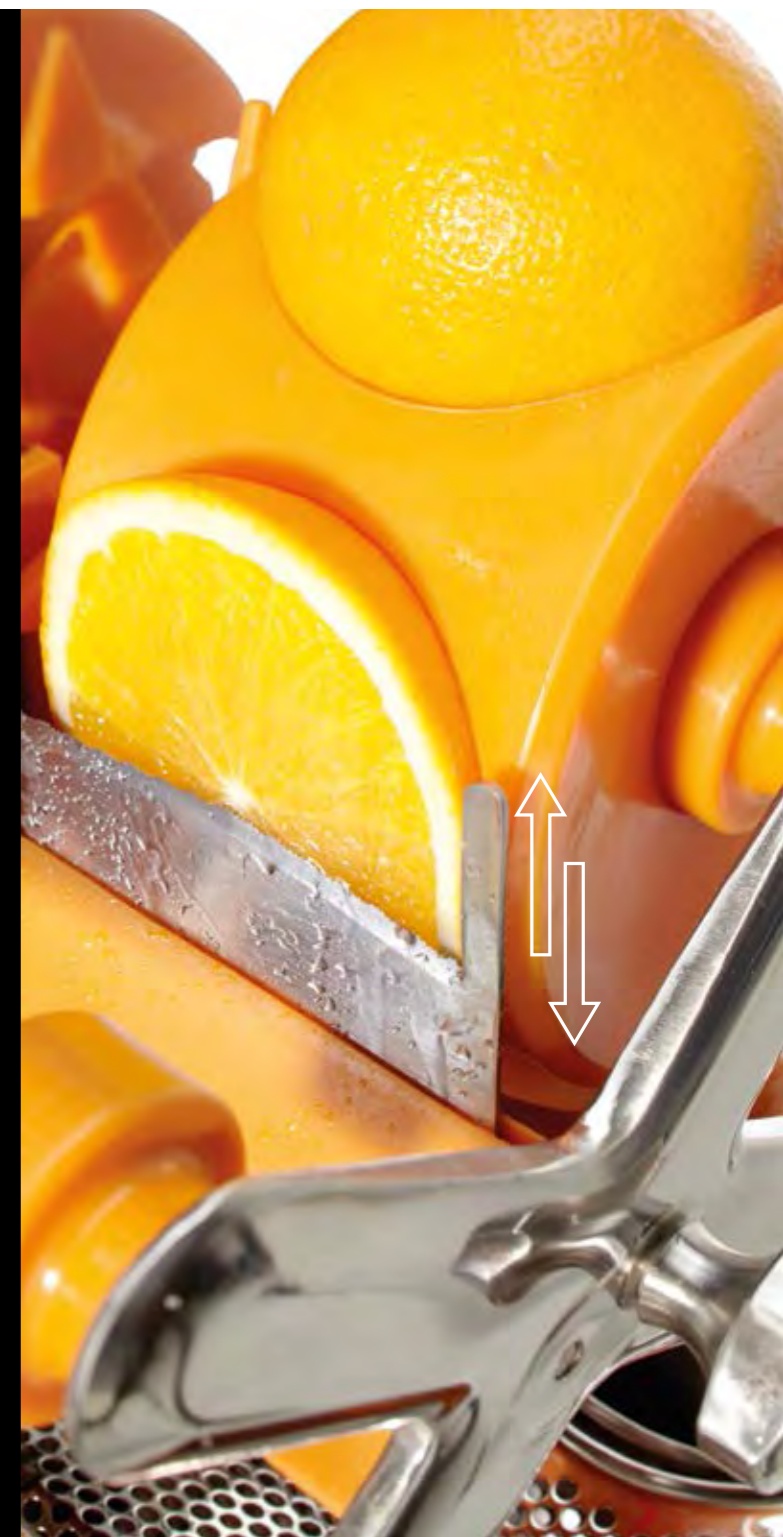
PROFITABILITY



Without SCS Up & Down: torn



With SCS Up & Down: neatly cut



MANUAL TRANSPORT SYSTEM (MTS)

Time saving, hygiene and highest purity of juice

INTELLIGENT STOP & MODEL INTELLIGENCE

Highest operational safety and hygiene



Hygiene and time efficiency.

The MTS (Manual-Transport-System) keeps the sieve free of pips and pulp without removing it. Through the manual cleaning-handle the pulp and pips can be transported into the peel waste containers. Available in all Fantastic models.



JUICE PURITY



HYGIENE



PROFITABILITY



TIME SAVING



Safety is a question of intelligence.

The acoustic signal sounds, and the machine stops automatically when the peel container is full. This prevents any "Peel-Jam" of the juicer. This feature is individually programmable for big and small peel containers.



HYGIENE



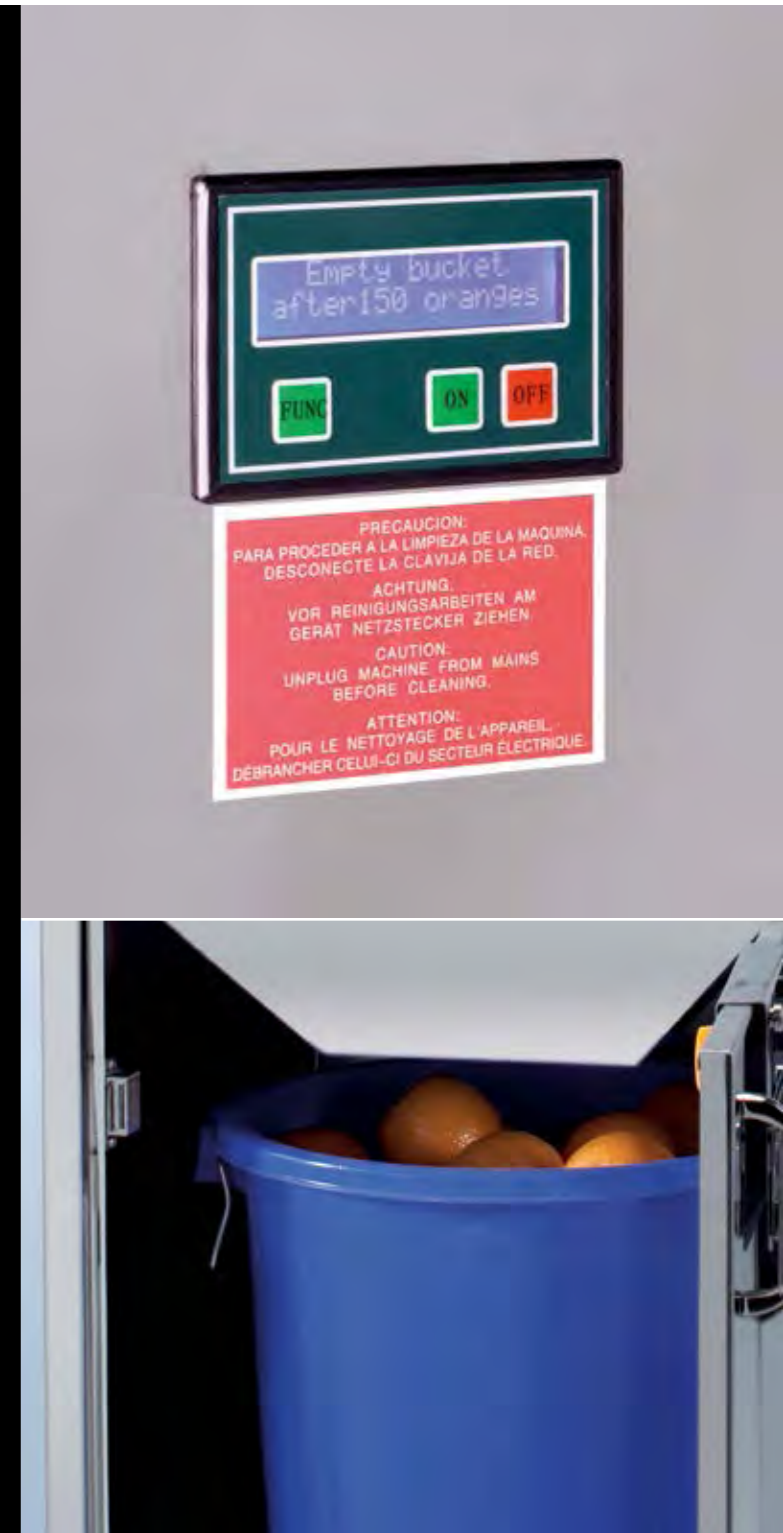
OPERATIONAL SAFETY



It is possible to individually adjust between staff-operated and self-serving models in both manual and automatic feeding versions. There are only remaining 2 basic models for 4 different applications.



PROFITABILITY



SUITS EVERY LOCATION



The perfect fit for gastronomy

Cafés, restaurants, bakeries, hotels ... with the Citrocasa Fantastic you don't only meet your guests' taste, but also fulfil their active desire for the freshest, healthiest nutrition. It is both an exciting and impressive way to demonstrate healthy living!

Perfect for the supermarket

Right next to your other fresh products – that's where the Fantastic F/SB and F/D will feel at home. The two Auto Feeding Fantastic from Citrocasa, with their modern design and robust stainless steel, will do far more than just make your store look great. Despite their minimal space requirements, both machines will amaze you with their performance, which far exceeds all other comparable juicers.



CITROCASA Fantastic M/AS *ADVANCE*

Ready, steady, go!



CITROCASA Fantastic M/SB *ADVANCE*

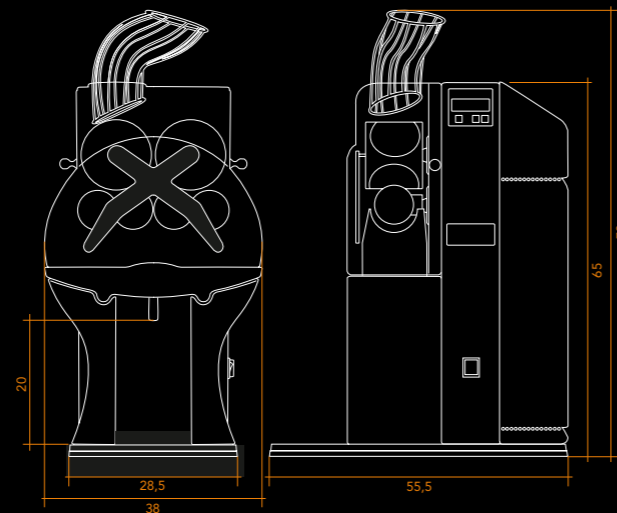
Self do, self have.



Ideal for locations with a high quality standard.

The ultimate in terms of performance and ease of use, with minimal cleaning time and effort and minimum space requirement.

- Automatic start when feeding in fruit
- Minimum space requirement (footprint)
- High squeezing capacity
- Double Cover System and Cross Holder
- SCS Up & Down Cutting System
- Large digital display with counter for squeezed fruits
- Easy and user-friendly operation
- The MTS (Manual-Transport-System) keeps the sieve clean
- Intelligent stop when peel container is full
- Adjustable base plate for easy installation



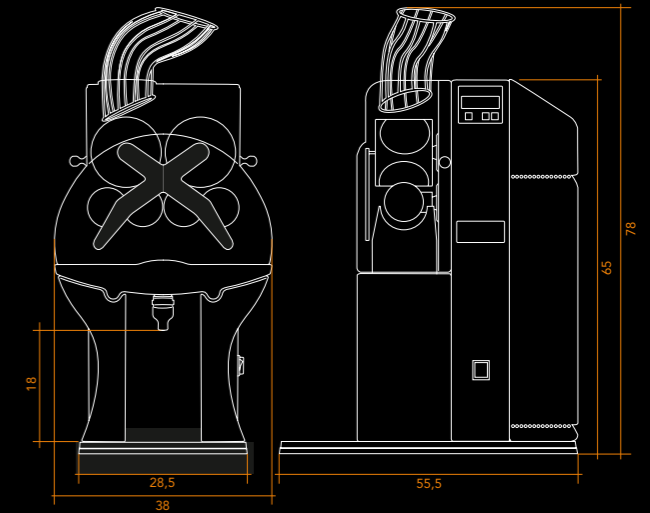
CITROCASA Fantastic M/AS *ADVANCE* – Technical Specifications

Oranges per minute:	Fruit supply	Optimal fruit size	Measurements (H x W x D in cm/in)	Net weight (in kg/lbs)	Power	Fuse protection	Fuse
30 pcs. approx. 2 l juice	-	Ø 65 – 78 mm Ø 2.56 – 3.07 in	78 x 38 x 55.5 cm 30.7 x 15 x 21.9 in	44 kg 96.8 lbs	0.2 kW	IPx1	6.3 A

Aesthetics meet ease of use.

The Citrocasa Fantastic M/SB makes self-service an experience with luxury character through cleverly-devised technology.

- Machine starts by pressing the tap
- Minimum space requirement (footprint)
- High squeezing capacity
- Double Cover System and Cross Holder
- SCS Up & Down Cutting System
- Large digital display with counter for squeezed fruits
- Easy and user-friendly operation
- The MTS (Manual-Transport-System) keeps the sieve clean
- Intelligent stop when peel container is full
- Adjustable base plate for easy installation



CITROCASA Fantastic M/SB *ADVANCE* – Technical Specifications

Oranges per minute:	Fruit supply	Optimal fruit size	Measurements (H x W x D in cm/in)	Net weight (in kg/lbs)	Power	Fuse protection	Fuse
30 pcs. approx. 2 l juice	-	Ø 65 – 78 mm Ø 2.56 – 3.07 in	78 x 38 x 55.5 cm 30.7 x 15 x 21.9 in	44 kg 96.8 lbs	0.2 kW	IPx1	6.3 A



CITROCASA Fantastic F/D **ADVANCE**

Design with inner values.



CITROCASA Fantastic F/SB **ADVANCE**

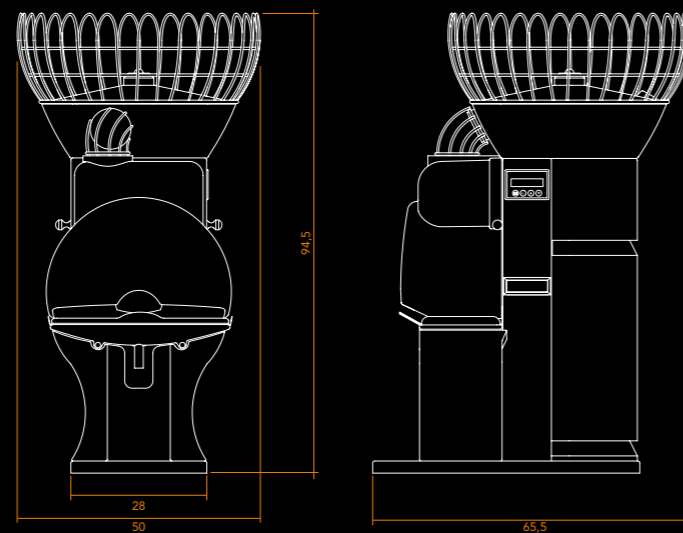
Elegance coupled with competitive advantage.



The link between high-tech and total efficiency.

The Fantastic F/D is the ideal solution for the quality- and efficiency-oriented world of gastronomy.

- Automatic fruit feeding
- High-capacity fruit hopper (17 kg / 37 lbs)
- Programming quantity of fruits and On/Off operation
- Large digital display with counter for squeezed fruits
- Minimum space requirement (footprint)
- Fast juicing (2 liters per minute / 0.5 gallons per minute)
- Double Cover System and Cross Holder
- SCS Up & Down Cutting System
- Easy and user-friendly operation
- The MTS (Manual-Transport-System) keeps the sieve clean
- Intelligent stop when peel container is full
- Adjustable base plate for easy installation



CITROCASA Fantastic F/D **ADVANCE** – Technical Specifications

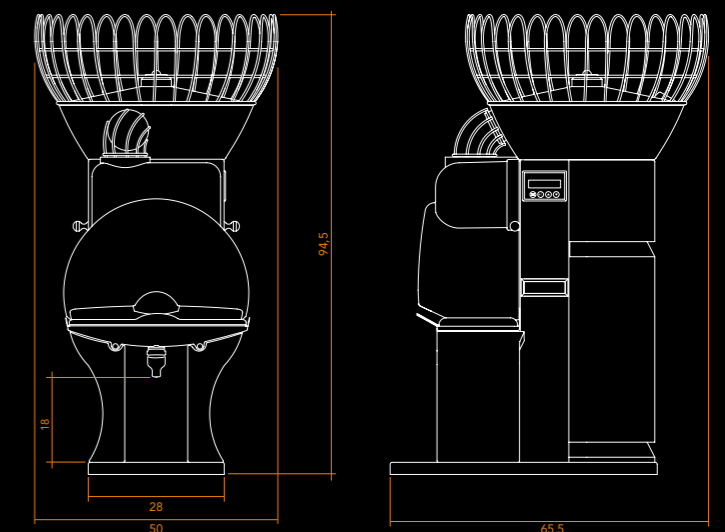
Oranges per minute:	Fruit supply	Optimal fruit size	Measurements (H x W x D in cm/in)	Net weight (in kg/lbs)	Power	Fuse protection	Fuse
30 pcs. approx. 2 l juice	17 kg 37.4 lbs	Ø 65 – 78 mm Ø 2.56 – 3.07 in	94.5 x 50 x 65.5 cm 37.2 x 19.7 x 25.8 in	52 kg 114.4 lbs	0.2 kW	IPx1	6.3 A



The new standard in self-service.

The Fantastic F/SB will win you over with its care-free and super-efficient operation and will save you money. It's the perfect match for grocery stores and self-service restaurants.

- Automatic fruit feeding
- High-capacity fruit hopper (17 kg / 37 lbs)
- Activate juicing just by pushing the self-service tap
- Large digital display with counter for squeezed fruits
- Minimum space requirement (footprint)
- Fast juicing (2 liters per minute / 0.5 gallons per minute)
- Double Cover System and Cross Holder
- SCS Up & Down Cutting System
- Easy and user-friendly operation
- The MTS (Manual-Transport-System) keeps the sieve clean
- Intelligent stop when peel container is full
- Adjustable base plate for easy installation



CITROCASA Fantastic F/SB **ADVANCE** – Technical Specifications

Oranges per minute:	Fruit supply	Optimal fruit size	Measurements (H x W x D in cm/in)	Net weight (in kg/lbs)	Power	Fuse protection	Fuse
30 pcs. approx. 2 l juice	17 kg 37.4 lbs	Ø 65 – 78 mm Ø 2.56 – 3.07 in	94.5 x 50 x 65.5 cm 37.2 x 19.7 x 25.8 in	52 kg 114.4 lbs	0.2 kW	IPx1	6.3 A

1 Fruit supply basket



Only for M-series

The optional fruit basket for the Fantastic M-series ensures that you and your guests always have oranges within reach. Total capacity: approx. 13 kg / 28.6 lbs.

2 MTS-Retrofitting kit



The MTS (Manual-Transport-System) keeps the sieve clean of pips and pulp without removing it. You can retrofit your normal Fantastic models.

3 Straight peel container



For average quantities of orange peel, the larger straight peel container is the perfect solution for the Citrocasa Fantastic. Ideal for up to 30 portions x 0.25 l / day.

Optional accessories for high adaptability.

4 Pedestal / Distance adapter



I. Distance adapter for bottles with a height up to 22 cm / 8.7 inches.
II. Small pedestal for glasses up to a height of 15 cm / 5.9 inches.
III. Large pedestal for glasses up to a height of 11 cm / 4.3 inches.

5 Coin system



This additional device can be installed on each of our machines on request.

6 Counter top installation



With the countertop kit you can integrate your juicer into your counter, which has to be perforated to allow the orange peel to fall into a plastic bucket placed underneath.

7 Bottle dispenser



Keep your bottles handy with the optional bottle dispenser (for bottle sizes 0.25, 0.33, 0.5 and 1 liter).

8 Cover fruit basket



Only for F-series

Optional for Fantastic F-series: lockable cover for fruit basket – 17 kg / 37.4 lbs.

9 Crushed Ice Cabinet



The crushed ice cabinet is an attractive option to display your pre-filled bottles and keep them cold.

10 Stainless steel cabinet



The stainless steel cabinet makes your Citrocasa Fantastic into the perfect solution when you need mobility and want to exploit your juicer's pressing capacity to the fullest. For more than 30 portions x 0.25 l / day.

11 Glass shelves



Available as 2- or 3-level design. Includes safety glass and stainless steel countertop.

12 Tray slide



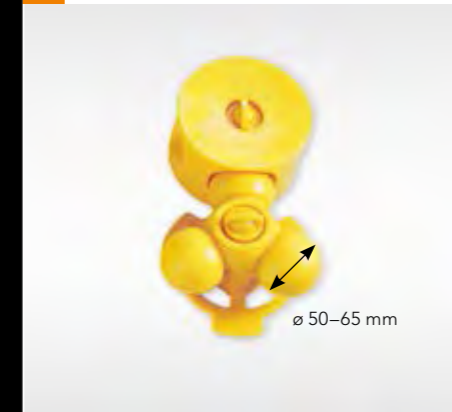
Ideal for self-service and cafeteria-style setup.

13 Shop in shop concept



Modular juice island concept for supermarkets, shopping malls, etc.

14 Lemon Kit



The optional Lemon Kit enables to press fruits from 50 to 65 mm diameter.

