



# **K-Class** Benchmark in technology and design

»It is our aim to supply optimized solutions that are easy to use and answer individual business needs.«

**Andreas W. Kraut**  
CEO Bizerba SE & Co. KG



**Our experience sets standards**

We are a family-owned company guided by a commitment to tradition, sustainability and responsibility. Nowadays, based on our core competence of slicing and weighing technology, we offer our customers the industry's largest and most unique range of products and solutions as hardware, software and services, anywhere in the world.

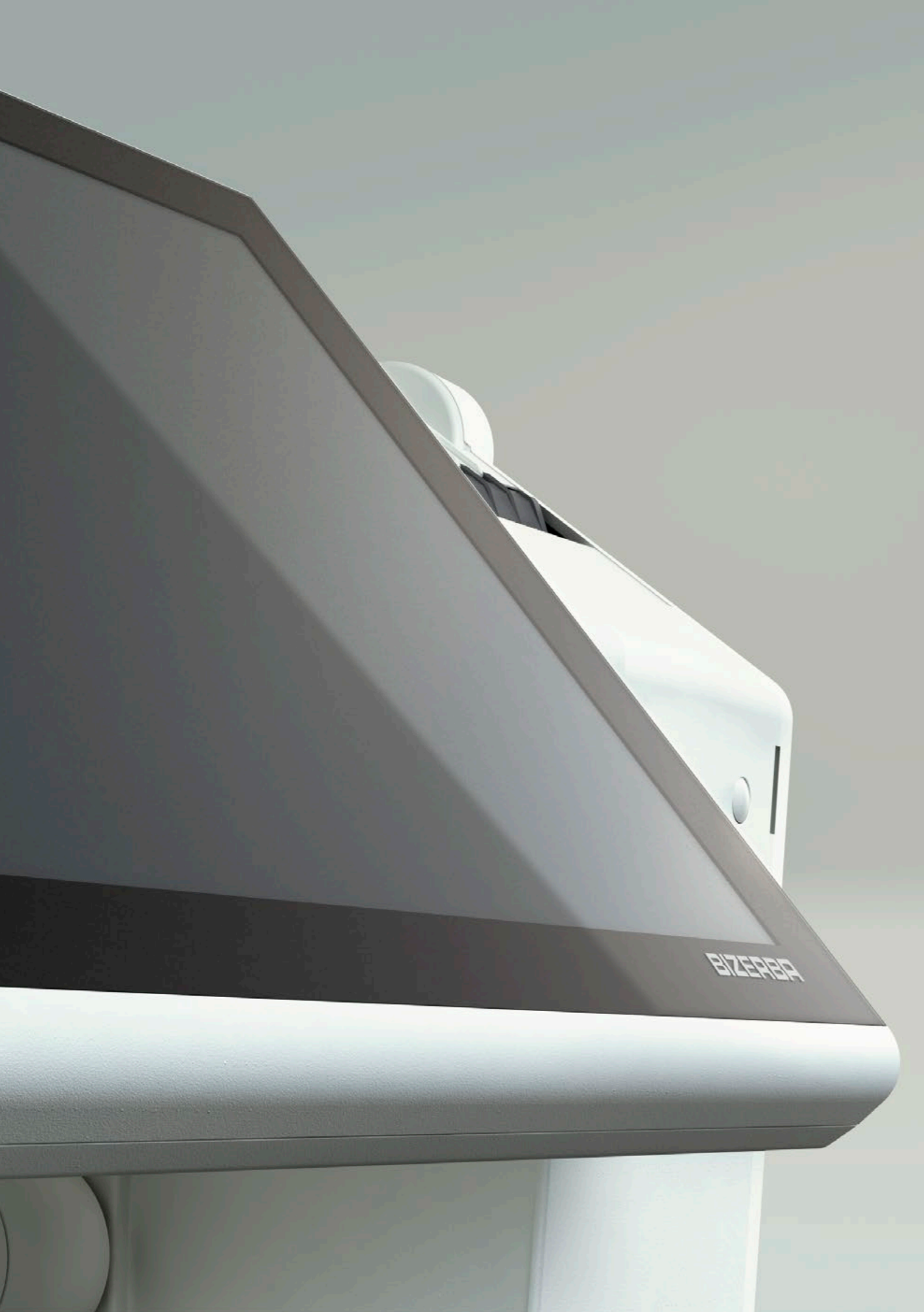
As a global acting technology company, we allow ourselves to be led by the aim and the requirement to achieve the best possible results in terms of

ergonomics, hygiene, safety and efficiency. We believe we have a role to play in shaping our markets, and are continually setting new industry standards. In close collaboration with our customers and against a backdrop of technological advancement, we are working to improve our products on a daily basis – resulting in innovations which become new standards.

In order to continue to live up to these requirements, we focus on the highest possible quality standards and internationally recognized technol-

ogy standards in our development and manufacturing work. We aim to provide our customers with easy-to-use and optimized purpose-built products and solutions for each individual application. This is how we best support our customers in achieving maximum efficiency and profitable growth.

Our experience sets standards.  
**That's what matters to us.**  
**Bizerba.**



# Efficiency and investment security

---

With the new K-Class, we have not only developed a visually impressive scale which achieves the perfect combination of design and functionality.

---

By using high-quality materials in such an aesthetically pleasing and ergonomic way, we have once again set new standards – just as we do by consistently applying the principles of open weighing technology.

As one of the most powerful touchscreen scales in the world, the new K-Class represents the pinnacle of efficient use of technology as well as long-term investment security.

The new K-Class brings together all essential retail tasks – weighing, cashing, promotions, printing, advising – it's all possible. And everything is done so smoothly and reliably that it is hard to imagine a more satisfactory tool for daily operations.

Based on a uniform, modular design and available in a wide range of different models and options, the new K-Class is a prime example of technical feasibility meeting economic sense.

# K-Class KH II 800



## Easy Clean

- Frameless display
- One-piece casing design
- Very easy to clean
- Resistant to dirt, fingerprints, labels and traces of use
- Long-lasting flawless appearance



## Green IT

- High performance at low level of power consumption (no fan)
- Economical components (SSD, LED backlighting)
- Highly efficient power unit
- Wake On LAN



## Easy Load

- Quick and easy paper insertion in the new ticket/linerless printer
- Paper widths up to 80 mm, roll lengths up to 80 m, printing speed up to 150 mm/s
- Label layouts can be printed on pre-printed linerless paper



## Software

- Performance:
- RetailPowerScale
  - RetailFramework
  - RetailControl
  - RetailConnect
  - RetailImpact
  - RetailApps
  - RetailIntegratorsKit



## Easy Level\*

- Recognizes if the scale is not leveled
- Automatically corrects the weighing value
- No loss of revenue if the scale is not level

\* for more details, see the table on page 28-29



## Inner values

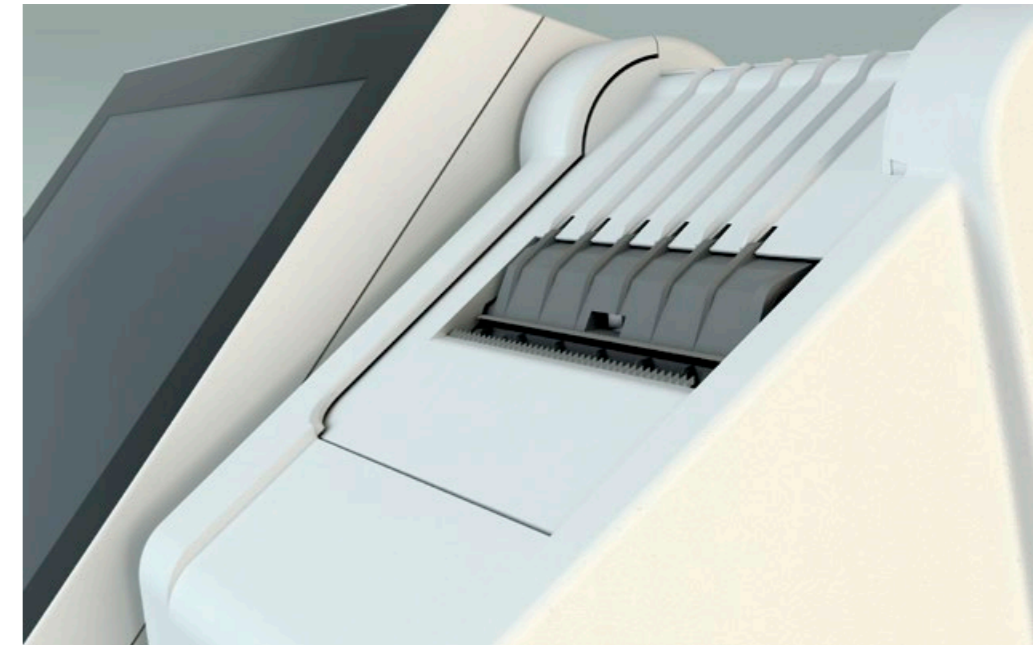
- Modern Dual Core processor
- Fast SSD mass storage, DDR3 RAM
- Highspeed graphics
- Highspeed interfaces

The new K-Class touchscreen scale is a revolution at the service counter. It is a key step towards intelligent technology, which takes care of standard activities and hence noticeably lightens a sales employee's workload: it automatically improves the competence and performance of the person behind the counter.

Thanks to the software on the inside, the devices can be customized to handle an immense range of tasks. And that is precisely the aim of Bizerba's engineers: to develop solutions which go a step further than all the others – solutions which deliver convincing performance and are remarkably simple to work with. Technology which is hygienically clean, ensures maximum safety and yet has extremely low requirements in terms of electricity, care and maintenance.



# The fruits of our labor



## Easy Clean

All casing surfaces are dirt-repellent, extremely stable and corrosion-resistant, and they comply with the toughest international hygiene guidelines. Thanks to the innovative surface coating, stray labels can be removed easily – and even stubborn food residues can simply be wiped away.

The customer and operator monitors have a True Flat design. Thus the transition between casing and monitor is completely smooth. Dirt that would have to be cleared away tediously is now a thing of the past. As a result, the Easy Clean displays not only look particularly stylish but also offer a number of important practical benefits.

## Inner values

On the inside, there is an integrated computer with a particularly high-performance Intel® processor, underlining the fact that these systems should no longer be called 'scales' but rather 'PCs'. In fact, combined with the revolutionary Bizerba software RetailPowerScale, the system represents a state-of-the-art, high-tech workstation of the best possible quality. Thanks to its open technology, the K-Class can be integrated into an existing IT environment.

## RetailApps

RetailApps are true masters in flexibility, adapting to meet specific market requirements. They are separate, self-contained solutions that are easily docked on to the scale software RetailPowerScale via standardized interfaces. The advantages are clear: less development time, lower costs and investment protection thanks to care and maintenance. Existing RetailApps are immediately available for operation and their solution portfolio is growing constantly.

## RetailPowerScale

RetailPowerScale offers an all-in-one solution for food retailers of all shapes and sizes. Whether for small, specialist store-owners or the world's top 100 grocery retailers, RetailPowerScale is the key that transforms the PC-based scale into a multifunctional device. The modular RetailApps mean that new functions can be added quickly and easily. The functionality can be scaled up or down precisely as needed, and even the layout details can be adapted. Hence, individuality is combined with all the advantages of standard software, seamlessly integrated into the existing IT infrastructure.

Operating costs are reduced and sales are increased – all thanks to RetailPowerScale. Furthermore, the carefully considered use of both the operator display and the customer display, which can be addressed separately, offers unparalleled sales opportunities at the point of service.

## Easy Level

Easy Level is an automatic tilt compensation eliminating weighing errors. These can otherwise be commonplace, such as when the scale is in mobile use or is placed on an unlevel surface. Thanks to the Easy Level technology, the angle of tilt is measured and compensated automatically, thus guaranteeing that the correct weight value is displayed. Bottom line: A correct weight despite tilt means no loss of revenue.

## Easy Load

A new printer that really does its name justice – because although it can handle virtually all standard types of paper, the rolls can be exchanged amazingly quickly. From ticket printing on two or three-inch rolls with paper widths of up to 80 millimeters through the use of linerless paper right up to label printing – anything is possible, and the convenient handling saves valuable time. Plus the double printer allows the customer to use different types of paper simultaneously.

# BLACK / OR WHITE

Our K-Class: Well-balanced model offering maximum performance. Attractive appearance, technically brilliant functions. In timeless white or exclusive black. One more possibility to integrate your Bizerba scale in your design concept in an individual and harmonious manner. Pick the color of your choice!





# KH II 800 12,1"

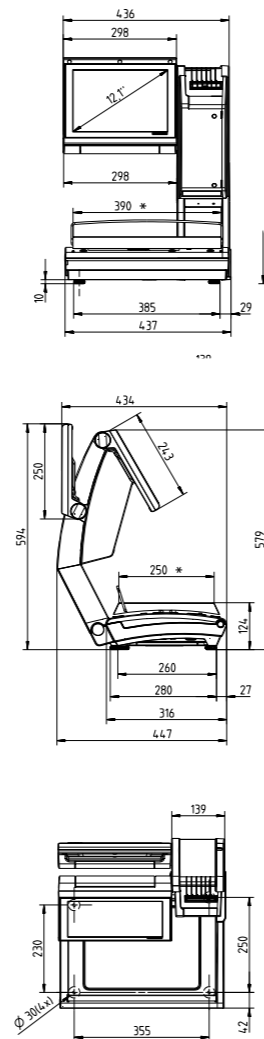
## Highlights

- Easy Clean for quick and easy cleaning of the scale
- Surface: problem free removal of stray labels
- Displays: frameless for maximum cleaning efficiency
- Load plate: optimum ease of handling
- Easy Load enables paper rolls to be changed in a matter of seconds
- Combi-printer with ticket and linerless operation up to 80 mm paper roll widths
- Additional label layout possible on pre-printed linerless paper
- Label and double printer\*
- Easy Level tilt compensation\*
- Accurate weighing results even when the scale is not leveled, no loss of revenue
- High-end PC-based scale with outstanding Intel® Dual Core processor for optimum performance and perfect graphics with minimum power consumption

## \*Options

- Easy Level tilt compensation
- Double printer
- Various weighing ranges
- Additional COM interface in conjunction with interface for cash drawer
- Cash drawer
- WLAN
- Audio kit (internal speaker)
- High-end software package RetailFramework
- RetailPowerScale scale software
- RetailApps for additional functionality
- RetailIntegratorsKit (RIK) for 3rd party software
- Plus many more software options for additional solutions.*

## Dimensions



BIZERBA

# KH II 800 7"

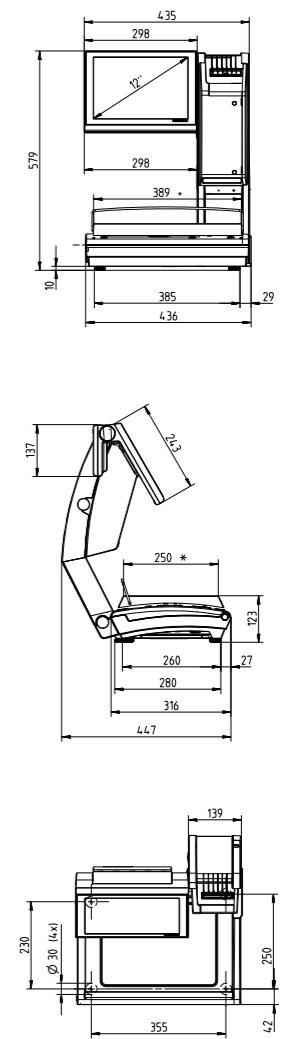
## Highlights

- Easy Clean for quick and easy cleaning of the scale
- Surface: problem free removal of stray labels
- Displays: frameless for maximum cleaning efficiency
- Load plate: optimum ease of handling
- Easy Load enables paper rolls to be changed in a matter of seconds
- Combi-printer with ticket and linerless operation up to 80 mm paper roll widths
- Additional label layout possible on pre-printed linerless paper
- Label and double printer\*
- Easy Level tilt compensation\*
- Accurate weighing results even when the scale is not leveled, no loss of revenue
- High-end PC-based scale with outstanding Intel® Dual Core processor for optimum performance and perfect graphics with minimum power consumption

## \*Options

- Easy Level tilt compensation
- Double printer
- Various weighing ranges
- Additional COM interface in conjunction with interface for cash drawer
- Cash drawer
- WLAN
- Audio kit (internal speaker)
- High-end software package RetailFramework
- RetailPowerScale scale software
- RetailApps for additional functionality
- RetailIntegratorsKit (RIK) for 3rd party software
- Plus many more software options for additional solutions.*

## Dimensions



BIZERBA

KH II 800 12,1"

KH II 800 7"



# KH II 800 <sup>SB</sup>

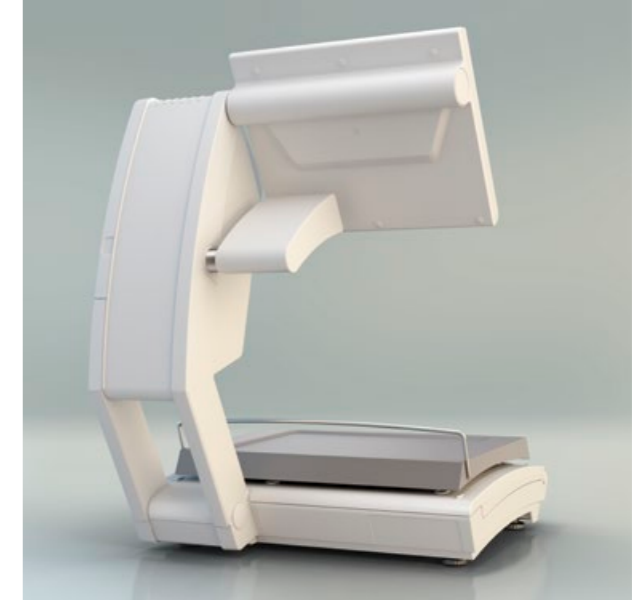
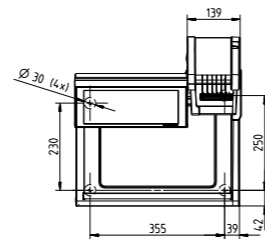
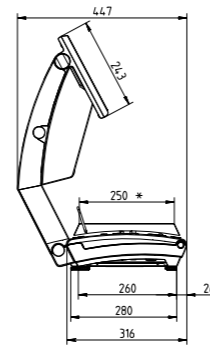
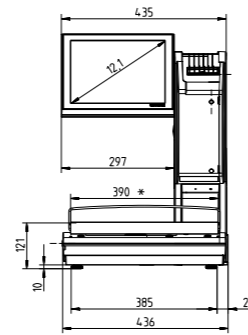
## Highlights

- Self-service scale
- Easy Clean for quick and easy cleaning of the scale
  - Surface: problem free removal of stray labels
  - Displays: frameless for maximum cleaning efficiency
  - Load plate: optimum ease of handling
- Easy Load enables paper rolls to be changed in a matter of seconds
- Combi-printer with ticket and linerless operation up to 80 mm paper roll widths
- Additional label layout possible on pre-printed linerless paper
- Labelprinter
- Easy Level tilt compensation\*
  - Accurate weighing results even when the scale is not leveled, no loss of revenue
- High-end PC-based scale with outstanding Intel® Dual Core processor for optimum performance and perfect graphics with minimum power consumption

## \*Options

- Easy Level tilt compensation
  - Various weighing ranges
  - Additional COM interface in conjunction with interface for cash drawer
  - Cash drawer
  - WLAN
  - Audio kit (internal speaker)
  - High-end software package RetailFramework
    - RetailPowerScale scale software
    - RetailApps for additional functionality
    - RetailIntegratorsKit (RIK) for 3rd party software
- Plus many more software options for additional solutions.*

## Dimensions



# KH II 800 <sup>SV</sup>

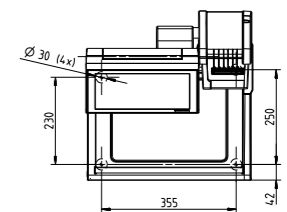
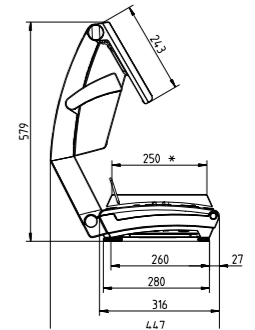
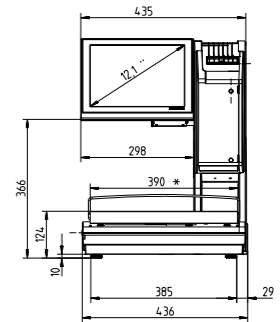
## Highlights

- Self-service scale, camera for article recognition for fruit and vegetables (KH II 800 SV)
- Easy Clean for quick and easy cleaning of the scale
  - Surface: problem free removal of stray labels
  - Displays: frameless for maximum cleaning efficiency
  - Load plate: optimum ease of handling
- Easy Load enables paper rolls to be changed in a matter of seconds
- Combi-printer with ticket and linerless operation up to 80 mm paper roll widths
- Additional label layout possible on pre-printed linerless paper
- Labelprinter
- Easy Level tilt compensation\*
  - Accurate weighing results even when the scale is not leveled, no loss of revenue
- High-end PC-based scale with outstanding Intel® Dual Core processor for optimum performance and perfect graphics with minimum power consumption

## \*Options

- Easy Level tilt compensation
  - Various weighing ranges
  - Additional COM interface in conjunction with interface for cash drawer
  - Cash drawer
  - WLAN
  - Audio kit (internal speaker)
  - High-end software package RetailFramework
    - RetailPowerScale scale software
    - RetailApps for additional functionality
    - RetailIntegratorsKit (RIK) for 3rd party software
- Plus many more software options for additional solutions.*

## Dimensions







## KH II 800 12,1" SP

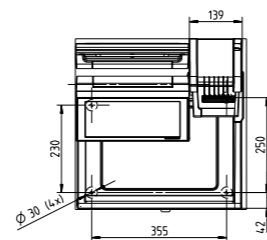
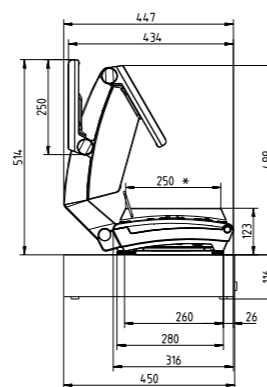
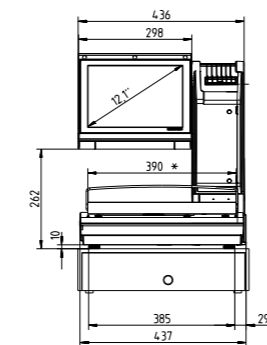
### Highlights

- Ideal and compact thanks to a short stand, thus a low construction height with cash drawer.
- Easy Clean for quick and easy cleaning of the scale
  - Surface: problem free removal of stray labels
  - Displays: frameless for maximum cleaning efficiency
  - Load plate: optimum ease of handling
- Easy Load enables paper rolls to be changed in a matter of seconds
  - Combi-printer with ticket and linerless operation up to 80 mm paper roll widths
  - Additional label layout possible on pre-printed linerless paper
- Label and double printer\*
- Easy Level tilt compensation\*
  - Accurate weighing results even when the scale is not leveled, no loss of revenue
- High-end PC-based scale with outstanding Intel® Dual Core processor for optimum performance and perfect graphics with minimum power consumption

### \*Options

- Easy Level tilt compensation
- Double printer
- Various weighing ranges
- Additional COM interface in conjunction with interface for cash drawer
- Cash drawer
- WLAN
- Audio kit (internal speaker)
- High-end software package RetailFramework
  - RetailPowerScale scale software
  - RetailApps for additional functionality
  - RetailIntegratorsKit (RIK) for 3rd party software
- Plus many more software options for additional solutions.*

### Dimensions



BIZERBA



## KH II 400 12,1" SP

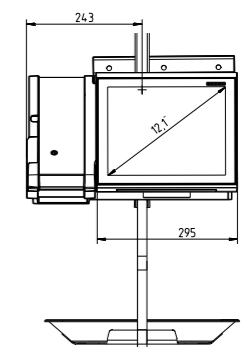
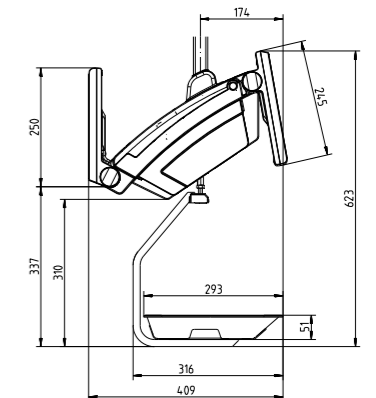
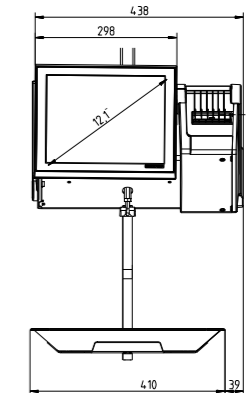
### Highlights

- Hanging scale for fresh counter
- Easy Clean for quick and easy cleaning of the scale
  - Surface: problem free removal of stray labels
  - Displays: frameless for maximum cleaning efficiency
  - Load plate: optimum ease of handling
- Easy Load enables paper rolls to be changed in a matter of seconds
  - Combi-printer with ticket and linerless operation up to 80 mm paper roll widths
  - Additional label layout possible on pre-printed linerless paper
- Label and double printer\*
- High-end PC-based scale with outstanding Intel® Dual Core processor for optimum performance and perfect graphics with minimum power consumption

### \*Options

- Double printer
- Various weighing ranges
- Additional COM interface in conjunction with interface for cash drawer
- Cash drawer
- WLAN
- Audio kit (internal speaker)
- High-end software package RetailFramework
  - RetailPowerScale scale software
  - RetailApps for additional functionality
  - RetailIntegratorsKit (RIK) for 3rd party software
- Plus many more software options for additional solutions.*

### Dimensions



BIZERBA



# KH II 400 7"

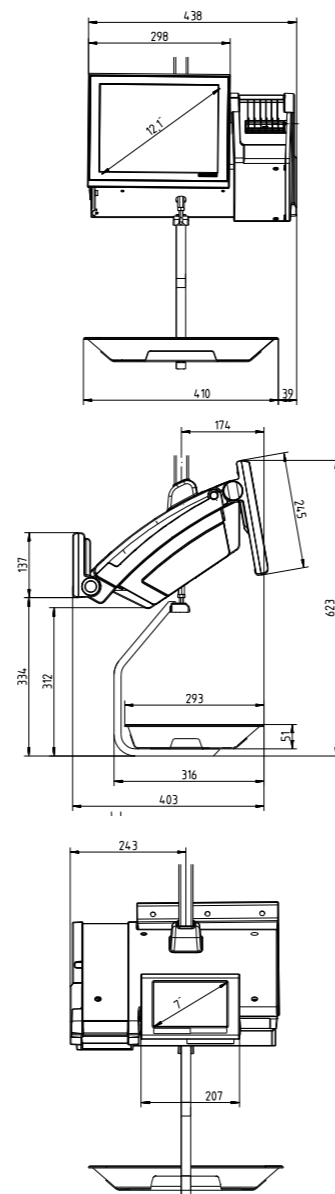
## Highlights

- Easy Clean for quick and easy cleaning of the scale
- Surface: problem free removal of stray labels
- Displays: frameless for maximum cleaning efficiency
- Load plate: optimum ease of handling
- Easy Load enables paper rolls to be changed in a matter of seconds
- Combi-printer with ticket and linerless operation up to 80 mm paper roll widths
- Additional label layout possible on pre-printed linerless paper
- Label and double printer\*
- High-end PC-based scale with outstanding Intel® Dual Core processor for optimum performance and perfect graphics with minimum power consumption

## \*Options

- Double printer
  - Various weighing ranges
  - Additional COM interface in conjunction with interface for cash drawer
  - Cash drawer
  - WLAN
  - Audio kit (Internal speaker)
  - High-end software package RetailFramework
  - RetailPowerScale scale software
  - RetailApps for additional functionality
  - RetailIntegratorsKit (RIK) for 3rd party software
- Plus many more software options for additional solutions.*

## Dimensions



BIZERBA



# KH II 200 12,1"

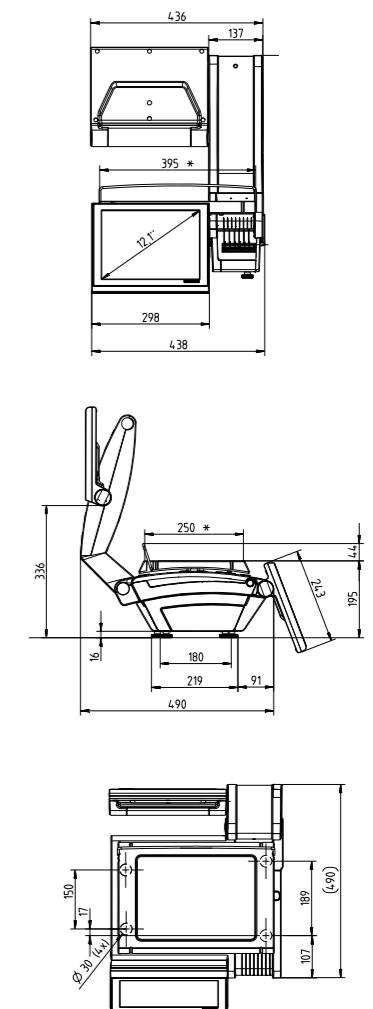
## Highlights

- Easy Clean for quick and easy cleaning of the scale
- Surface: problem free removal of stray labels
- Displays: frameless for maximum cleaning efficiency
- Load plate: optimum ease of handling
- Easy Load enables paper rolls to be changed in a matter of seconds
- Combi-printer with ticket and linerless operation up to 80 mm paper roll widths
- Additional label layout possible on pre-printed linerless paper
- Label printer\*
- Easy Level tilt compensation\*
  - Accurate weighing results even when the scale is not leveled, no loss of revenue
- High-end PC-based scale with outstanding Intel® Dual Core processor for optimum performance and perfect graphics with minimum power consumption

## \*Options

- Easy Level tilt compensation
  - Various weighing ranges
  - Additional COM interface in conjunction with interface for cash drawer
  - Cash drawer
  - WLAN
  - Audio kit (Internal speaker)
  - High-end software package RetailFramework
  - RetailPowerScale scale software
  - RetailApps for additional functionality
  - RetailIntegratorsKit (RIK) for 3rd party software
- Plus many more software options for additional solutions.*

## Dimensions



BIZERBA

KH II 400 7"

KH II 200 12,1"



# KH II 200 7''

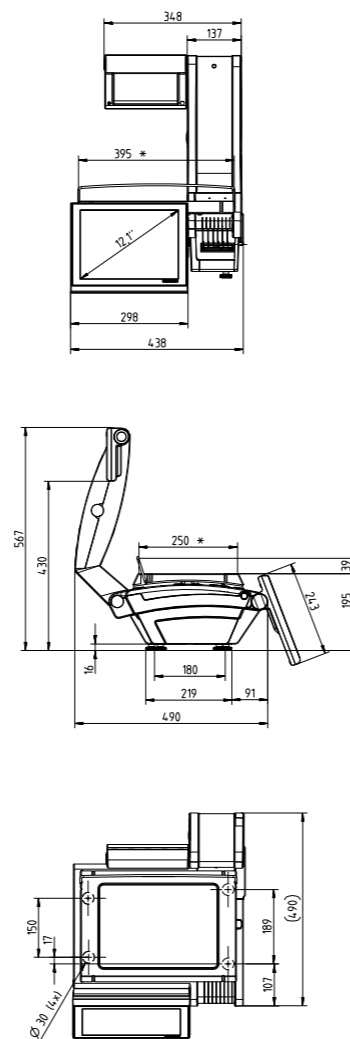
## Highlights

- Easy Clean for quick and easy cleaning of the scale
  - Surface: problem free removal of stray labels
  - Displays: frameless for maximum cleaning efficiency
  - Load plate: optimum ease of handling
- Easy Load enables paper rolls to be changed in a matter of seconds
  - Combi-printer with ticket and linerless operation up to 80 mm paper roll widths
  - Additional label layout possible on pre-printed linerless paper
- Label printer\*
- Easy Level tilt compensation\*
  - Accurate weighing results even when the scale is not leveled, no loss of revenue
- High-end PC-based scale with outstanding Intel® Dual Core processor for optimum performance and perfect graphics with minimum power consumption

## \*Options

- Easy Level tilt compensation
  - Various weighing ranges
  - Additional COM interface in conjunction with interface for cash drawer
  - Cash drawer
  - WLAN
  - Audio kit (Internal speaker)
  - High-end software package RetailFramework
    - RetailPowerScale scale software
    - RetailApps for additional functionality
    - RetailIntegratorsKit (RIK) for 3rd party software
- Plus many more software options for additional solutions.*

## Dimensions



BIZERBA

KH II 100 7'' with cash drawer



# KH II 100 7''

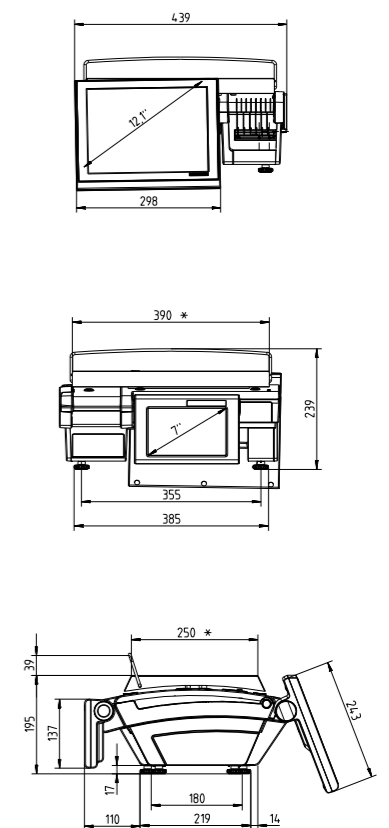
## Highlights

- Easy Clean for quick and easy cleaning of the scale
  - Surface: problem-free removal of stray labels
  - Displays: frameless for maximum cleaning efficiency
  - Load plate: optimum ease of handling
- Easy Load enables paper rolls to be changed in a matter of seconds
  - Combi-printer with ticket and linerless operation up to 80 mm paper roll widths
  - Additional label layout possible on pre-printed linerless paper
- Label and double printer\*
- Easy Level tilt compensation\*
  - Accurate weighing results even when the scale is not leveled, no loss of revenue
- High-end PC-based scale with outstanding Intel® Dual Core processor for optimum performance and perfect graphics with minimum power consumption

## \*Options

- Easy Level tilt compensation
  - Double printer
  - Various weighing ranges
  - Separate load receptor up to 150 kg (KH II 100 G)
  - Additional COM interface in conjunction with interface for cash drawer
  - Cash drawer
  - WLAN
  - Audio kit (internal speaker)
  - High-end software package RetailFramework
    - RetailPowerScale scale software
    - RetailApps for additional functionality
    - RetailIntegratorsKit (RIK) for 3rd party software
- Plus many more software options for additional solutions.*

## Dimensions



BIZERBA

KH II 100 7''

KH II 200 7''

# Our K-Class convincing in black as well



KH II 100 7" G with separate load receptor

## KH II 100 7" B (G)

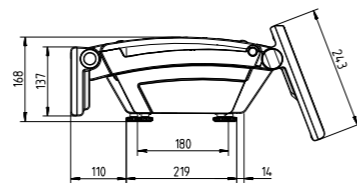
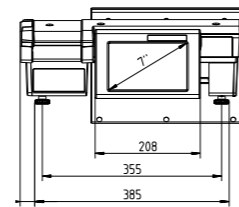
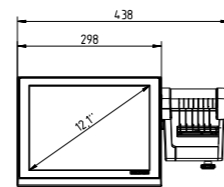
### Highlights

- Easy Clean for quick and easy cleaning of the scale
- Surface: problem free removal of stray labels
- Displays: frameless for maximum cleaning efficiency
- Easy Load enables paper rolls to be changed in a matter of seconds
- Combi-printer with ticket and linerless operation up to 80 mm paper roll widths
- Additional label layout possible on pre-printed linerless paper
- Labelprinter
- High-end PC-based scale with outstanding Intel® Dual Core processor for optimum performance and perfect graphics with minimum power consumption

### \*Options

- Various weighing ranges
  - Separate load receptor up to 150 kg (KH II 100 G)
  - Additional COM interface in conjunction with interface for cash drawer
  - Cash drawer
  - WLAN
  - Audio kit (internal speaker)
  - High-end software package RetailFramework
  - RetailPowerScale scale software
  - RetailApps for additional functionality
  - RetailIntegratorsKit (RIK) for 3rd party software
- Plus many more software options for additional solutions.*

### Dimensions



KH II 800 12.1"



KH II 800 7"



KH II 800 5B



KH II 800 5V



KH II 800 12.1" 5P



KH II 400 12.1"



KH II 400 7"



KH II 200 12.1"



KH II 200 7"



KH II 100 7"



KH II 100 7" B

Our K-Class touchscreen scales combine an esthetically perfect design and an ergonomic line management with open weighing technology. In white or

now in black as well: No matter which retail task – weighing, cashing, promoting, printing, consulting – they reach their proven full potential. The conse-

quently modular designed K-Class is one of the most powerful touchscreen scales in the world and furthermore allows sustainable security of investment.

# PERFECT INTEGRATION

K-Class Flex – the retail solution for perfect integration in your existing store concept. All components are freely combinable with each other. The functional design creates space-saving and ergonomically sophisticated solutions – for assisted sales, self-service or price labeling.

## K-Class Flex modules

- 01 Multi-color operator display  
TFT LCD with  
LED backlighting 12.1"
- 02 Multi-color customer display  
TFT LCD with  
LED backlighting 12.1"
- 03 VESA mounting system
- 04 K-Class Flex printer
- 05 2" L compact printer
- 06 K-Class Flex scale  
Type LA KF
- 07 K-Class Flex CPU control unit
- 08 K-Class Flex cash register drawer



# One modular design – many options



**Multi-color customer display**  
TFT LCD with LED backlighting 7"



**Multi-color customer display**  
TFT LCD with LED backlighting 12.1"



**Multi-color operator display**  
TFT LCD with LED backlighting 12.1"



**K-Class Flex printer**



**2" L compact printer**



**K-Class Flex CPU control unit**



**VESA mounting system**



**K-Class Flex scale**  
Type LA KF



**K-Class ScalePad**  
Extra flat scale for integration in the service counter



**K-Class Flex cash register drawer**



## K-Class Flex

### Highlights

#### "Modular design" for various applications

- Scale
- Cash register
- Info terminal
- Easy Clean for quick and easy cleaning

#### Printer

- K-Class Flex printer
  - Ticket, linerless, paper width up to 80 mm, print speed up to 150 mm/s
  - Label
  - Double printer
  - Easy Load for easy paper roll change
- 2" L compact printer
  - Receipt, linerless, paper width 2" (58 mm), print speed up to 150 mm/s
  - Easy Load for easy paper roll change
- EPSON printer
  - Ticket, paper width 80 mm, print speed up to 250 mm/s
  - Front loader
  - Easy load
  - Cutter

#### CPU control unit

#### Displays

- Operator color touch screen
- TFT LCD with LED backlighting 12.1"

- Multi-color customer display
- TFT LCD with LED backlighting 12.1"
- TFT LCD with LED backlighting 7"

#### High-end software package

- RetailFramework
- RetailPowerScale scale software
- RetailIntegratorsKit for 3rd party software

#### VESA mounting system

- Display holder VESA Mount for operator and customer display
- Mounting arm for printer optional\*

#### \*Options

- Various customer displays
- Various printers
- VGA interface
- Cash register drawer
- WLAN
- Different weighing ranges
- RetailApps for additional functionality

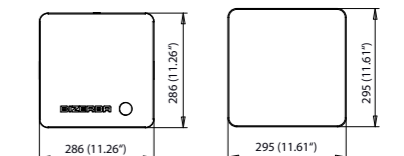
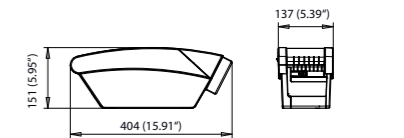
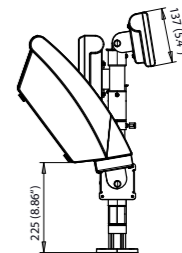
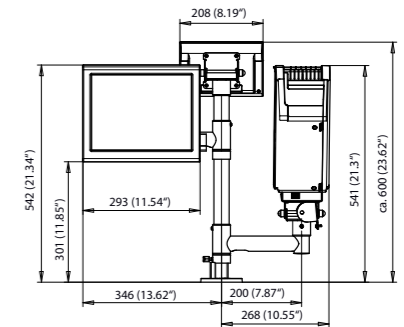
#### Various load receptors

- Type KF
- Type 18 A
- Type 150
- ScalePad

#### Color

- Anthracite
- White

### Dimensions





# RetailFramework All in one solution

# Information to suit your every need



---

There are various quick and effective routes to finding the perfect solution for your company. Whether you would like to contact us online or prefer to arrange a face-to-face meeting, Bizerba is always happy to help.

---

## RetailFramework

RetailFramework offers business integration software modules for retail and food craft management. This solution manages all retail activities Bizerba touchscreen scales offer. An efficient interaction is made possible throughout the entire IT landscape, because all business processes are supported, from incoming goods to sales. Everything is made easier and truly offers more value: arrange up to date promotion actions, design individual user interfaces, manage machines centrally and call up management information or statistic reports.

## Impressing advantages

RetailFramework puts process optimization, expansion and customer care on a new level: The solution allows analysis of numbers, data and facts throughout the complete value added chain. It shows its advantages in fresh management and information design for all branches and also protects transfer of data and media content over the complete network. Furthermore the solution manages sales processes, marketing measures and consulting quality at the point of sale.

## Open and integrable

RetailFramework embraces all retail software modules for our K-Class scales. This software package also supports IT infrastructures in retail companies. This opens up the way for hardware integration of other producers. RetailFramework is configurable as an end to end solution, can be combined if needed and can be expanded by single components according to actual business requirements.

## In person

If you would like to set up a personal meeting to discuss your on-site circumstances and possibilities, please contact us directly. Our customer advisors are always on hand to assist you, from the initial idea to detailed planning and from implementation to staff training. You can find details of how to contact us on the back page of this brochure.

## Online

The Bizerba website provides a quick, easy and focused overview of all our product solutions as well as relevant topics relating to weighing, packaging, pricing and labeling. You can even experience our solutions from all angles 'virtually'

for yourself thanks to videos and 360° animations. Simply visit our website to see more:

[www.bizerba.com](http://www.bizerba.com)

## Would you like to know more?

Are you keen to obtain more detailed information about Bizerba's products? If so, please do not hesitate to contact us. Whether you require scale drawings, technical details or interface specifications, we're happy to advise you.



# Members of the Bizerba Group

---

## **Bizerba SE & Co. KG**

Wilhelm-Kraut-Straße 65  
72336 Balingen  
Germany

T +49 7433 12-0  
F +49 7433 12-2696  
info@bizerba.com

**www.bizerba.com**

---

## **Bizerba USA Inc.**

1804 Fashion Court  
Joppa, MD 21085  
USA

T Office +1 732 565-6000  
T Service +1 732 565-6001  
F +1 732 819-0429  
us.info@bizerba.com

**www.bizerbausa.com**

---

## **Bizerba UK Limited**

2-4 Erica Road  
Stacey Bushes  
Milton Keynes  
Buckinghamshire  
MK12 6HS

UK  
T +44 1908 6827-40  
F +44 1908 6827-77  
sales@bizerba.co.uk

**www.bizerba.com**

---

## **Bizerba Canada Inc.**

2810 Argentic Road #9  
Mississauga,  
Ontario L5N 8L2  
Canada

T +1 905 816-0498  
F +1 905 816-0497  
ca.info@bizerba.com

**www.bizerba.ca**

---

## **Bizerba Shanghai Weigh Tech & Systems Co. Ltd.**

D-3, Qianpu Road,  
Shuhui Real Est.Park  
East New Area of Songjiang,  
Ind. Zone  
201611 Shanghai  
China

T +86 21 676009-99  
F +86 21 676009-98  
marketing.china@bizerba.cn

**www.bizerba.cn**

I/805en © 3rd edition. All rights reserved. 051340

The publisher accepts no liability for printing errors or color variations as a result of image quality or the printing process, and reserves the right to make structural or technical modifications.